

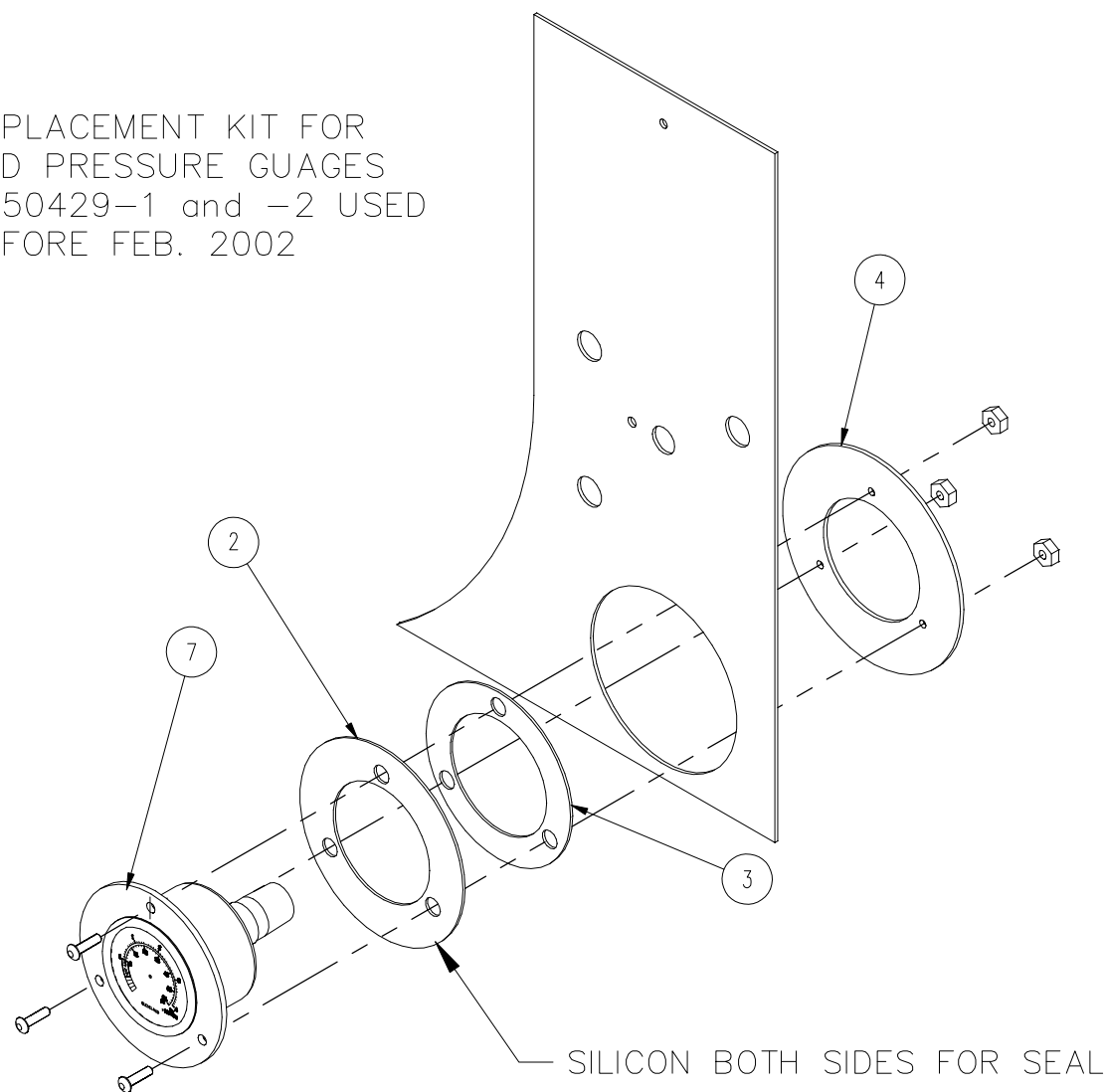
ITEM	PART_#	DESCRIPTION	QTY
△ C 1	KE50429-6	PRESSURE GAUGE	1
2	SE50459	FRONT WASHER	1
3	SE50560	SPACER	1
4	SE50561	REAR WASHER	1
△ C 5	FA11056	6-32 X 1/2" PAN PHIL. SCREW	3
6	FA20504-1	6-32 k-lock nut	3
△ C 7	SE00127-1	KIT: PRESSURE GAUGE RETROFIT	1
△ C	NOTE: ADD	KIT: PRESSURE GAUGE RETROFIT DRAWING	1

△ C **Installation Instruction**

1. Insure kettle is off. Disconnect power to unit.
2. Remove top cover.
3. Pull pressure relief valve to remove any pressure or vacuum from the unit.
4. Remove old pressure gauge.
5. Align spacer with gauge hole and mark location of new bolt holes on panel. Note holes need to be in line with existing one in order for gauge to be level.
6. Drill out bolt holes.
7. Place spacer on gauge as shown install in opening and bolt in place.
8. Connect copper tubing to gauge.
9. Replace top cover.
10. Reconnect power.
11. Refer to service manual for venting instructions.

#	DESCRIPTION	DATE	APPROVED
C	ITEMS #5 AND 6 REMOVED, ITEM #7 ADDED INSTALLATION INSTRUCTION AND NOTE ADDED	12/01/2011	Isuditu

REPLACEMENT KIT FOR
OLD PRESSURE GUAGES
KE50429-1 and -2 USED
BEFORE FEB. 2002



△ C REPLACEMENT KIT FOR
OLD PRESSURE GUAGES
KE50429-4: UNITS BUILT
AFTER FEB. 2002

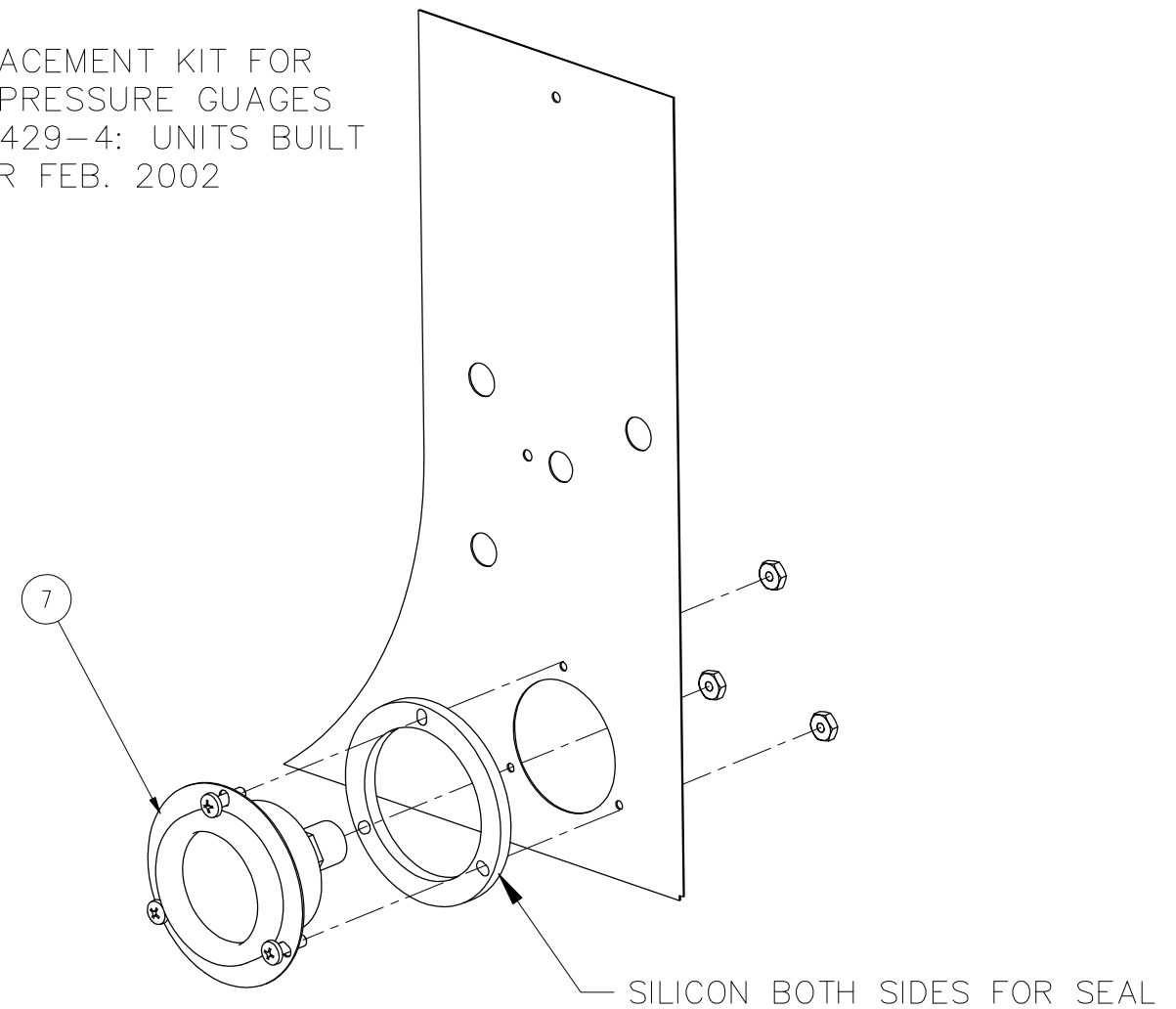


ILLUSTRATION SHOWN FOR FLOOR MODEL GAS KETTLES.
SAME APPLIES TO OLD ELECTRIC KETTLES WITH GAUGE MOUNTED ON SKIRTS.

THIS DESIGN COVERS A PROPRIETARY ITEM AND IS THE PROPERTY OF CLEVELAND RANGE LTD.
THIS DRAWING IS NOT TO BE COPIED OR USED WITHOUT THE APPROVAL OF CLEVELAND RANGE LTD.

FOR GENERAL
TOLERANCES
REFER TO PWI-043

CLEVELAND RANGE LTD.
8251 KEELE STREET, CONCORD, ONTARIO, CANADA

TITLE
**KIT: PRESSURE GAUGE RETROFIT
KETTLE**

MATERIAL
TYPE & GRADE
FORM
SIZE
FINISH

DO NOT SCALE
PRINTED DRAWING

DRAWN BY
LUCIAN

DATE
01/22/2002

SIZE
B

DRAWING NO.
SE00127

SHEET 1 OF 1

REV
C