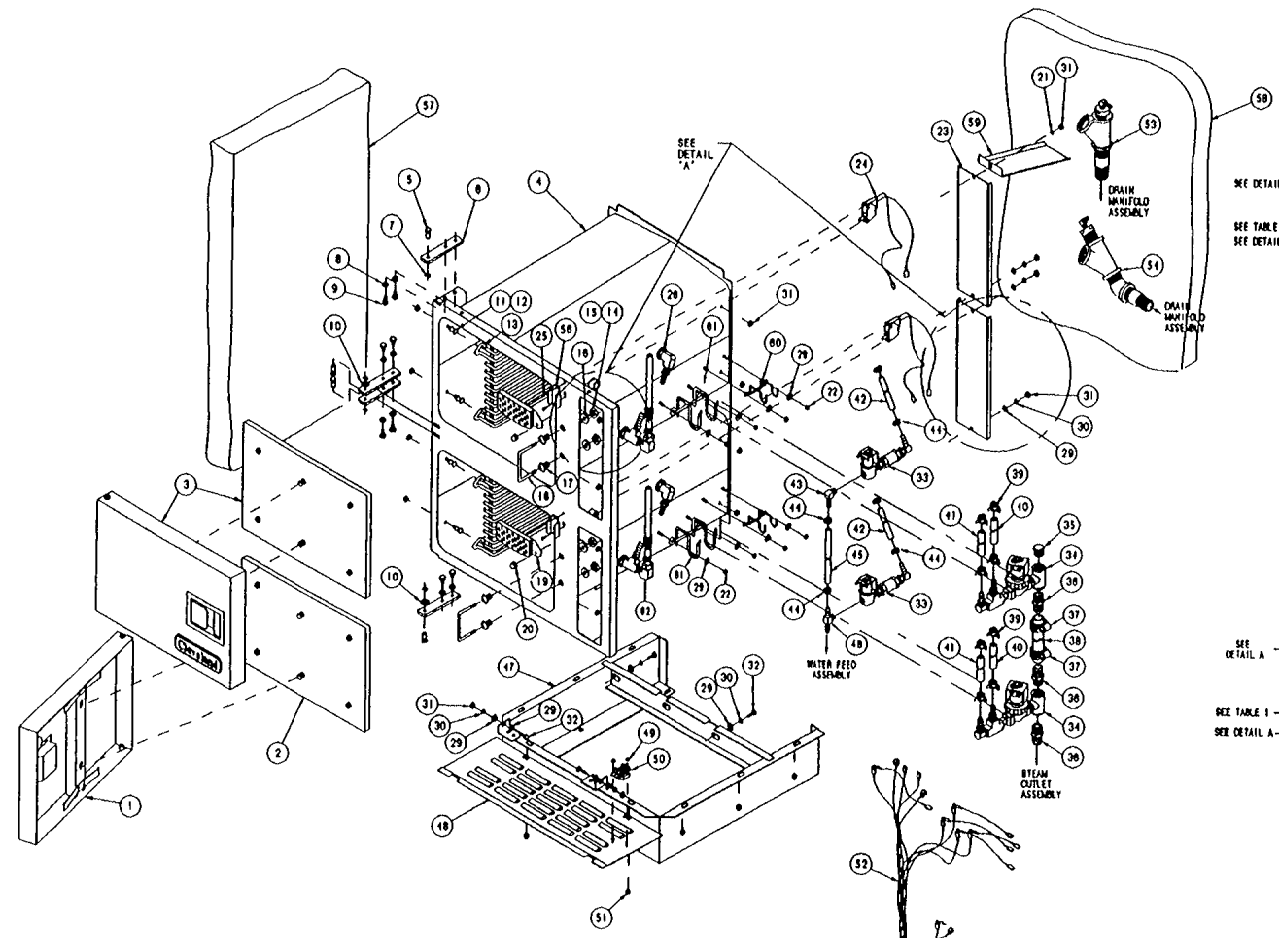


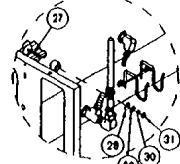
LET.	REVISIONS	DATE	BY
A	SEE E.O. 4C-2587	03-01-94	PJD
	SEE E.O. 4C-2579	05-24-94	
B	SEE E.O. 4C-2579 R1	07-22-94	PJD
C	SEE E.O. 4C-2579 R2	07-29-94	OLD
D	SEE E.O. 4C-2785	12-06-94	PJD



ITEM NO.	QTY.	PART NO.	DESCRIPTION
62	2	107019	BREATHER/SPRAY NOZZLE ASSY. (3/8" I.D.)
61	2	106722	BRACKET, VALVE SUPPORT ASSY.
60	2	106159	BRACKET ASSY. WATER, VALVE SUPPORT
59	1	106733	SHIELD, MOISTURE
58	1	104128	INSULATION, CONVECTION BODY REAR
57	1	104125	INSULATION, CONVECTION BODY WRAP
56	-	105442	GUARD, SWITCH PROTECTION
55	2	19972	SWITCH, THERMAL
54	1	106473	DRAIN, LOWER COMP., CONNECTION
53	1	106473	DRAIN, UPPER COMP., CONNECTION
52	-	104219	HARNES WIRING, ON/OFF
	-	104189	HARNES WIRING, ELECTRONIC
	-	103856	HARNES WIRING, MECHANICAL
51	8	14879	NUT, ACONR 10-24 S/S
50	1	44168	TERMINAL BLOCK ASSY. 2 POLE
49	1	104223	NUT, HEX 8-32 ELASTIC LOCK
48	1	102589	PANEL, FRONT FILLER
47	1	40249	PEDESTAL, WELDMENT HINGE LEFT
46	1	106841	FITTING, HOSE 1/4" H X 1/4" H X 1/4" MP
45	1	1058501500	HOSE, NY-80 1/2" X 1/2" X 13' LG.
44	8	106528	CLAMP, HOSE, METAL 3/16 TO 5/16 DIA
43	1	105788	FITTING, HOSE 1/4" H X 1/4" MP 90°
42	2	1058501000	HOSE, NY-80 1/4" X 1/2" X 10' LG.
41	2	1052730500	HOSE, SILICONE 3/8" X 5/8" X 5' LG.
40	2	1052730600	HOSE, SILICONE 3/8" X 5/8" X 9' LG.
39	8	107099	CLAMP, METAL TENSION BAND (3/8" I.D.)
38	1	08511100	HOSE, SILBRIDE 3/4" X 1" X 11 LG.
37	2	03207	CLAMP, HOSE, LINED, MAX OD 1.125"
36	3	08241	FITTING, HOSE BARB 3/4" H X 1/2" MP
35	2	106096	PIUG 1/2" BRASS
34	2	106830	STEAM INLET ASSEMBLY
33	2	106831	WATER VALVE ASSY. NEW CONV. STMR.
32	4	19288	SCREW, HEX HEAD 1/4-20 X 3/4
31	24	14818	NUT, HEX 1/4-20 S/S
30	9	23105	WASHER, LOCK 1/4" S/S
29	19	23110	WASHER, FLAT 1/4" X 5/8 X D85
28	2	23138	WASHER, FLAT 3/8 X 7/8 X 1/16
27	2	104409	CLOSURE, THERMAL OPENING
26	2	106230	STEAM SUPPLY ASSEMBLY, CONVECTION
25	-	105449	SCREW, TRUSS HEAD 8-32 X .312, S/S
24	-	104199	SWITCH ASSY., CHPT., STEAM SHUT-OFF
23	-	104199	THERM ASSEMBLY, CONVECTION
22	8	14892	NUT, ELASTIC LOCK 10-24
21	1	23137	WASHER 1/4" INTERNAL TOOTH
20	2	148771	NUT, ACONR 1/4-20
19	2	89298	SCREEN, COMPARTMENT DRAIN
18	2	104048	CATCH, DOOR
17	4	14895	NUT, DOOR CATCH MOUNTING 8/S
16	4	23149	WASHER, NYLON, TYPE 8-8
15	A/R	01205	ADHESIVE, LOCKITE #290
14	4	14849	NUT, HEX 1/2-13 ZINC PLATED
13	4	41423	RACK, PAN SLIDE 20"
12	A/R	00932	SEALANT, RTV
11	16	101305	PIN, RACK
10	2	102513	WASHER, FLAT 5/16 X 3/4 X .080 S/S
9	8	02312	BOLT, HEX HEAD 5/16-24 X 1/2" S/S
8	8	23106	WASHER, LOCK MED. PATERN 5/16 S/S
7	4	104082	RING, SNAP S/S
6	4	104078	HINGE, DOOR
5	4	104077	PIN, HINGE
4	1	104891	CONVECTION BODY WELDMENT IN.
3	-	1085751	DOOR ASSY., H.L. W/ACTUATOR
2	1	108575	DOOR ASSY., H.L. W/LOAD
1	2	104110	DOOR, INNER ASSEMBLY
	1	1035371	DOOR, OUTER ASSY., H.L. W/ACTUATOR
	1	103537	DOOR, OUTER ASSEMBLY, H.L.



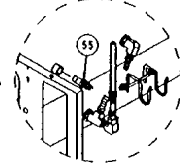
104929 MECHANICAL CONTROL
104931 ON/OFF CONTROL WITH BELL
104932 ON/OFF CONTROL



THERMAL SWITCH CLOSURE (MECHANICAL & ON/OFF)



THERMAL SWITCH CLOSURE (ELECTRONIC OPTION ONLY)



ITEM 59 (MOISTURE SHIELD) ELECTRONIC OPTION ONLY

TABLE '1'
STEAM SHUT-OFF OPTION

ITEM NO.	QTY.	PART NO.	DESCRIPTION
105442	GUARD	58	2
105449	SCREW	25	4
104199	SWITCH	24	2
1063751	DOOR	3	1
1031971	DOOR	1	1

PRODUCTION

THIS DESIGN DESCRIBES A PROPRIETARY ITEM AND IS THE PROPERTY OF CLEVELAND RANGE. THIS DRAWING IS NOT TO BE COPIED OR USED WITHOUT THE APPROVAL OF CLEVELAND RANGE.

TIMER OPTIONS - DETAIL A

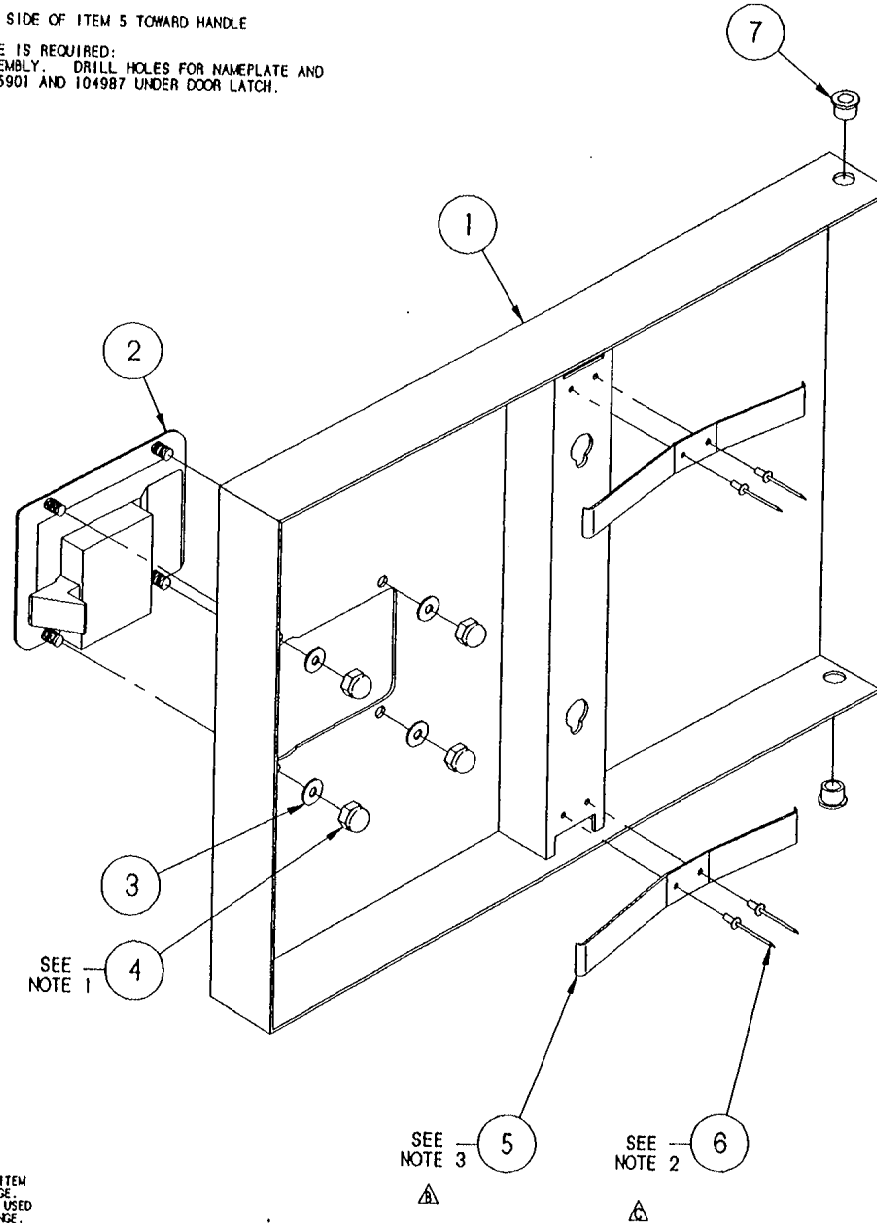
TOLERANCES (EXCEPT AS NOTED)			
CLEVELAND RANGE INC. 1333 East 179th St. Cleveland, Ohio 44110-2574			
DECIMAL ± N/A	SCALE NTS	DRAWN BY DUTCHMAN	APPROVED BY
ANGULAR ± N/A	TITLE CONVECTION H.L. FINAL ASSEMBLY PRODUCTION, ALL OPTIONS		
CK	DATE 11-02-93	DRAWING NO. C - 105509	REV. D

NOTES : 1.) USE LOCTITE #222 - LOW STRENGTH (#104146) ON ITEM 4

⚠ 2.) USE RTV (#00833) ON ITEM 6

⚠ 3.) ORIENT LONGER SIDE OF ITEM 5 TOWARD HANDLE

⚠ 4.) WHEN NAMEPLATE IS REQUIRED:
ATTACH AT ASSEMBLY. DRILL HOLES FOR NAMEPLATE AND
MOUNT P/NS 105901 AND 104987 UNDER DOOR LATCH.



SEE
NOTE 1

SEE
NOTE 3

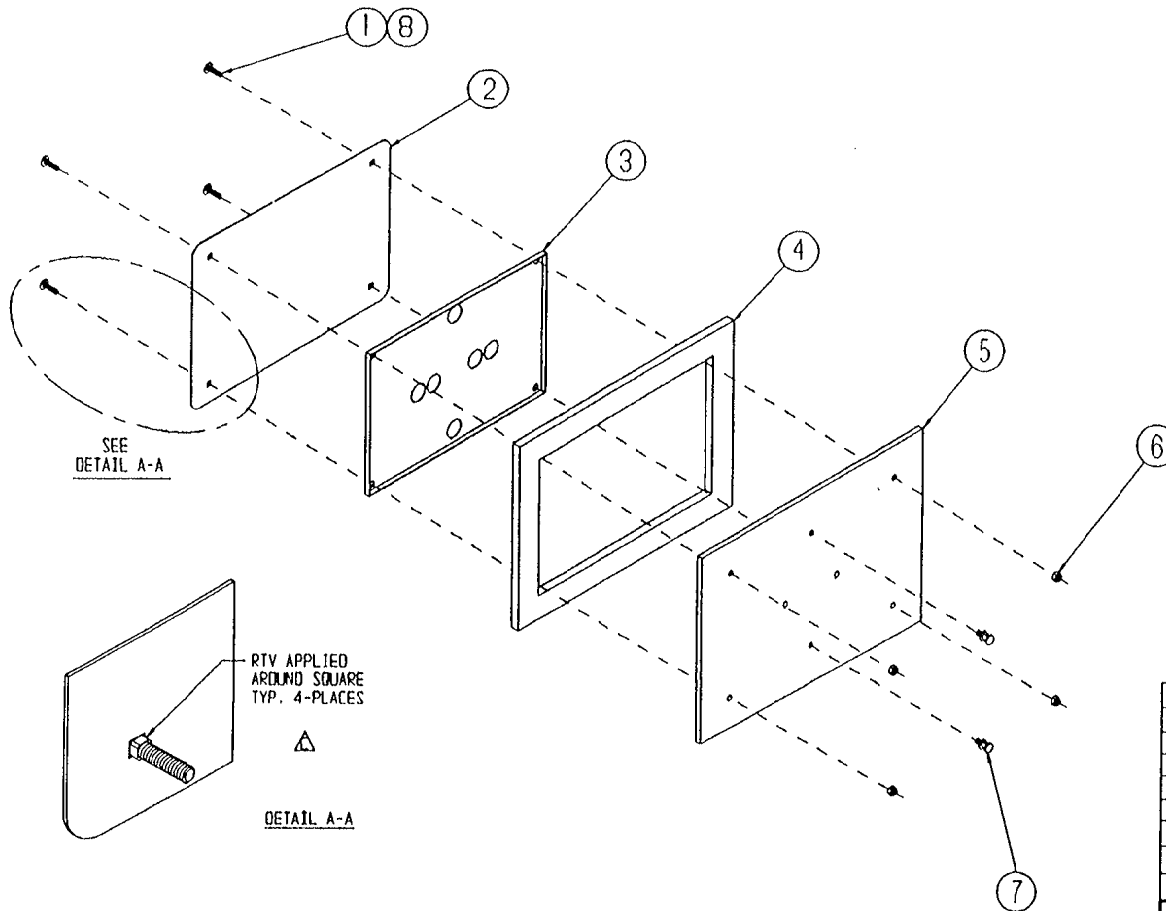
SEE
NOTE 2

THIS DESIGN DESCRIBES A PROPRIETARY ITEM
AND IS THE PROPERTY OF CLEVELAND RANGE.
THIS DRAWING IS NOT TO BE COPIED OR USED
WITHOUT THE APPROVAL OF CLEVELAND RANGE.

LET.	REVISIONS	DATE	BY
B	NOTE 3 WAS UPDATED, WAS ITEM 6 CALLOUT PER E.O. #C-1908	01-01-91	DJP
C	NOTE 2 REVISED, WAS ITEM 7 CALLOUT PER E.O. #C-1908 R1	03-19-92	PJD
D	P/NS 105901 & 104987 ADDED PER E.O. #C-2441 R2	08-28-93	PJD
E	P/NS 105901 & 104987 REF. ONLY PER E.O. #C-2441 R3	08-05-93	PJD
F	P/NS 105901 & 104987 REMOVED PER E.O. #C-2441 R5	12-13-93	PJD

7	2	103641	BUSHING, BRONZE
6	4	18357	RIVET, 1/8" DIA. FLUSH BREAK, S/S
5	2	102228	SPRING, DOOR
4	4	14679	NUT, #10-24 ACORN, S/S
3	4	101655	WASHER, #10 FLAT, S/S
2	1	103643	LATCH, DOOR - PADDLE TYPE
1	1	103527	OUTER DOOR WELDMENT, H.L.
ITEM	QTY.	PART NO.	DESCRIPTION
TOLERANCES (EXCEPT AS NOTED)			
CLEVELAND RANGE INC. 1933 East 179th St., Cleveland, Ohio 44110-2574			
DECIMAL ± N/A	SCALE 5/8=1	DRAWN BY DUTCHMAN	APPROVED BY
ANGULAR ± N/A	TITLE DOOR, OUTER ASSEMBLY SC 3.1 CONVECTION, H.L.		
CK	DATE 02-28-91	DRAWING NO. C - 103537	REV. F

LET.	REVISIONS	DATE	BY
A	REVISED PER E.O. #C-1872 R5	2-28-91	PJC
B	REVISED PER E.O. #C-1872 R7	5-13-91	PJC
C	REVISED PER E.O. #C-1993	8-05-91	PJC

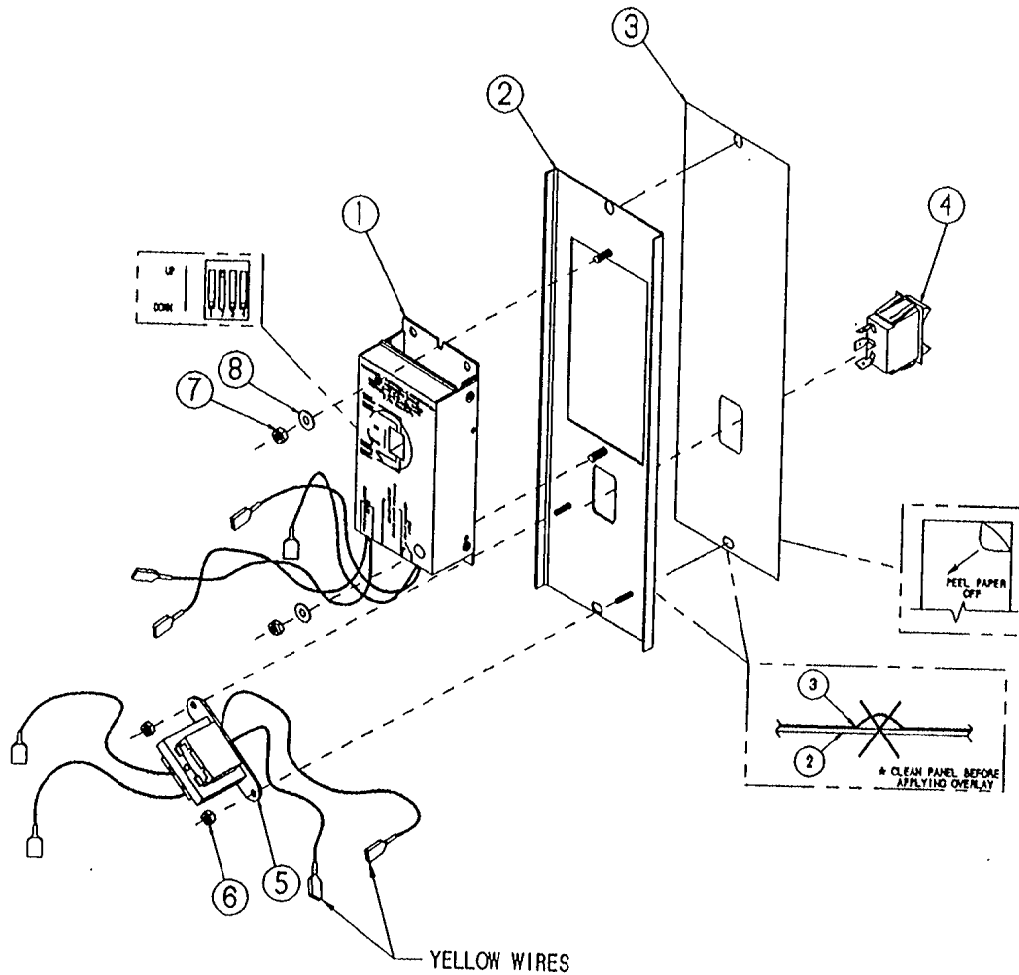


ITEM	QTY.	PART NO.	DESCRIPTION
8	A/R	00932	SEALANT, RTV
7	2	19923	PIN GUIDE, INNER DOOR
6	4	14665	NUT, HEX LOCK 1/4-20
5	1	100745	INNER DOOR WELDMENT
4	1	07138	DOOR GASKET
3	1	66214	INNER GASKET RETAINER
2	1	66595	GASKET RETAINER PLATE
1	4	104719	BOLT, CARRIAGE 1/4-20 X 1.000"

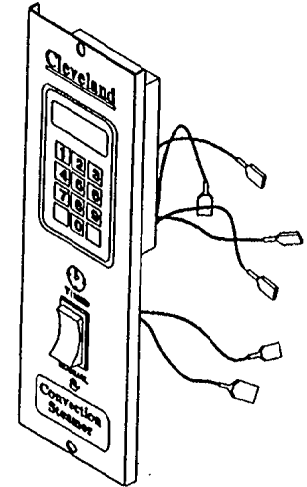
TOLERANCES (EXCEPT AS NOTED)		CLEVELAND RANGE INC.		
		1333 East 178th St. Cleveland, Ohio 44110-2574		
DECIMAL ± N/A	SCALE N/A	DRAWN BY P. J. D.	APPROVED BY D. S.	
ANGULAR ± N/A	TITLE DOOR, INNER ASS'Y. SC 3.1 CONV. (NEW STYLE MODEL C)			
CK	DATE 02-28-91	DRAWING NO. B-104101	REV. C	

THIS DESIGN DESCRIBES A PROPRIETARY ITEM
AND IS THE PROPERTY OF CLEVELAND RANGE.
THIS DRAWING IS NOT TO BE COPIED OR USED
WITHOUT THE APPROVAL OF CLEVELAND RANGE.

LET	REVISIONS	DATE	BY
A	HOLES ADDED TO LABEL P/N 105889 WAS 104478 EO #C-2182	04-08-92	PJD
B	105889 COLOR/ARTWORK CHANGE PER E.O. #C-2503 & C-2424	09-21-93	PJD



FRONT VIEW



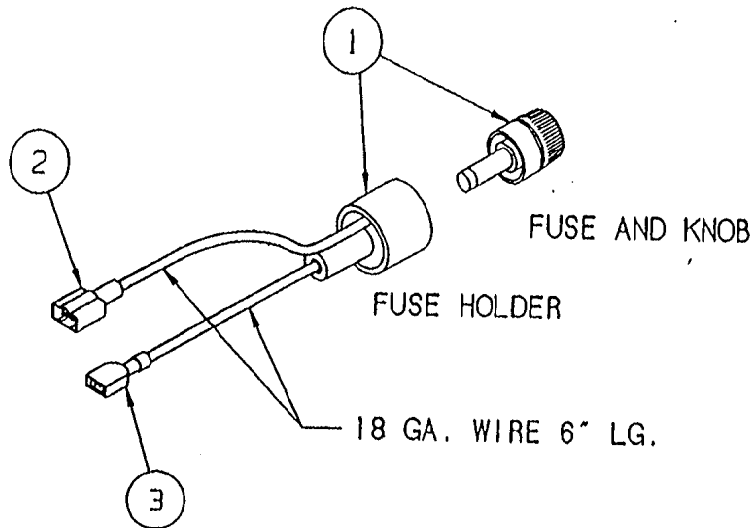
THIS DESIGN DESCRIBES A PROPRIETARY ITEM
AND IS THE PROPERTY OF CLEVELAND RANGE.
THIS DRAWING IS NOT TO BE COPIED OR USED
WITHOUT THE APPROVAL OF CLEVELAND RANGE.



NO.	QTY.	PART NO.	DESCRIPTION
8	2	101655	WASHER, FLAT #10 S/S
7	2	14892	NUT, HEX 10-24 ELASTIC LOCK
6	2	104223	NUT, HEX 8-32 ELASTIC LOCK
5	1	104390	TRANSFORMER, ASSEMBLY
4	1	104221	SWITCH, ROCKER, SPOT MATTE FINISH
3	1	105889	LABEL, CONT. PANEL, HCC - CONY.
2	1	104701	PANEL, WELDMENT ELECTRONIC
1	1	104389	TIMER, ASSEMBLY - HCC
TOLERANCES (UNLESS OTHERWISE SPECIFIED)			CLEVELAND RANGE INC. 1303 East 179th St. Cleveland, Ohio 44110-2874
DECIMAL	SCALE	DRAWN BY	
2 N/A	1/2"	DUTCHMAN	
ANGULAR			APPROVED BY
2 N/A	TITLE		D.S.
TIMER ASSEMBLY - BACK MOUNTED CONVECTION STEAMER ELECTRIC			
OK	DATE	DRAWING NO.	REV.
	09-17-91	C-104930	B

LET.	REVISIONS	DATE	BY
A	PICTORIAL CHANGE PER E.O. #2591 RI	05-06-94	PJD

U.L. AND C.S.A.
APPROVED



3	1	20351	TERMINAL, SLIP ON FEMALE
2	1	20370	TERMINAL, SLIP ON, MALE
1	1	106881	FUSE AND HOLDER ASSEMBLY
ITEM	QTY.	PART NO.	DESCRIPTION

TOLERANCES
(EXCEPT AS NOTED)

DECIMAL
± .030

ANGULAR
± 1°

CLEVELAND RANGE INC.

1333 East 179th St. Cleveland, Ohio 44110-2574

SCALE
2=1

DRAWN BY
DUTCHMAN

APPROVED BY
-

TITLE

FUSE AND HOLDER WIRE ASSY.
NCC TIMER RETROFIT

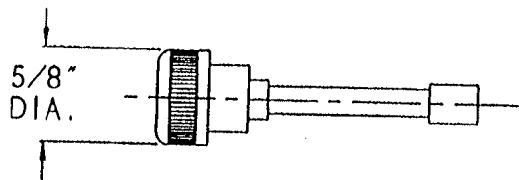
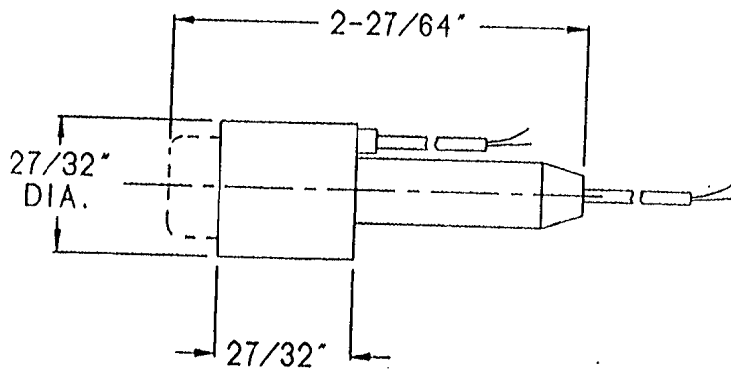
CK

DATE
05-06-94

DRAWING NO.
A - 106870

REV.
A

THIS DESIGN DESCRIBES A PROPRIETARY ITEM
AND IS THE PROPERTY OF CLEVELAND RANGE.
THIS DRAWING IS NOT TO BE COPIED OR USED
WITHOUT THE APPROVAL OF CLEVELAND RANGE.



BUSSMAN HLR
FUSE HOLDER

GUIDE #1ZLT2 U.L.
FILE #B14853 U.L.

CLASS #6225-01 C.S.A.
FILE #47235 C.S.A.

BUSSMAN GLR 2 AMP
NON-DELAY FUSE

GUIDE #JDYX U.L.
FILE #E19180 U.L.

CLASS #1422-01 C.S.A.
FILE #53787 C.S.A.

APPROVED SOURCE:

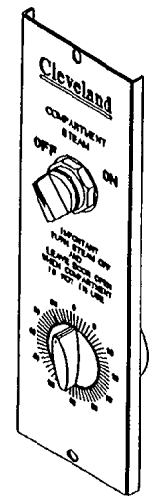
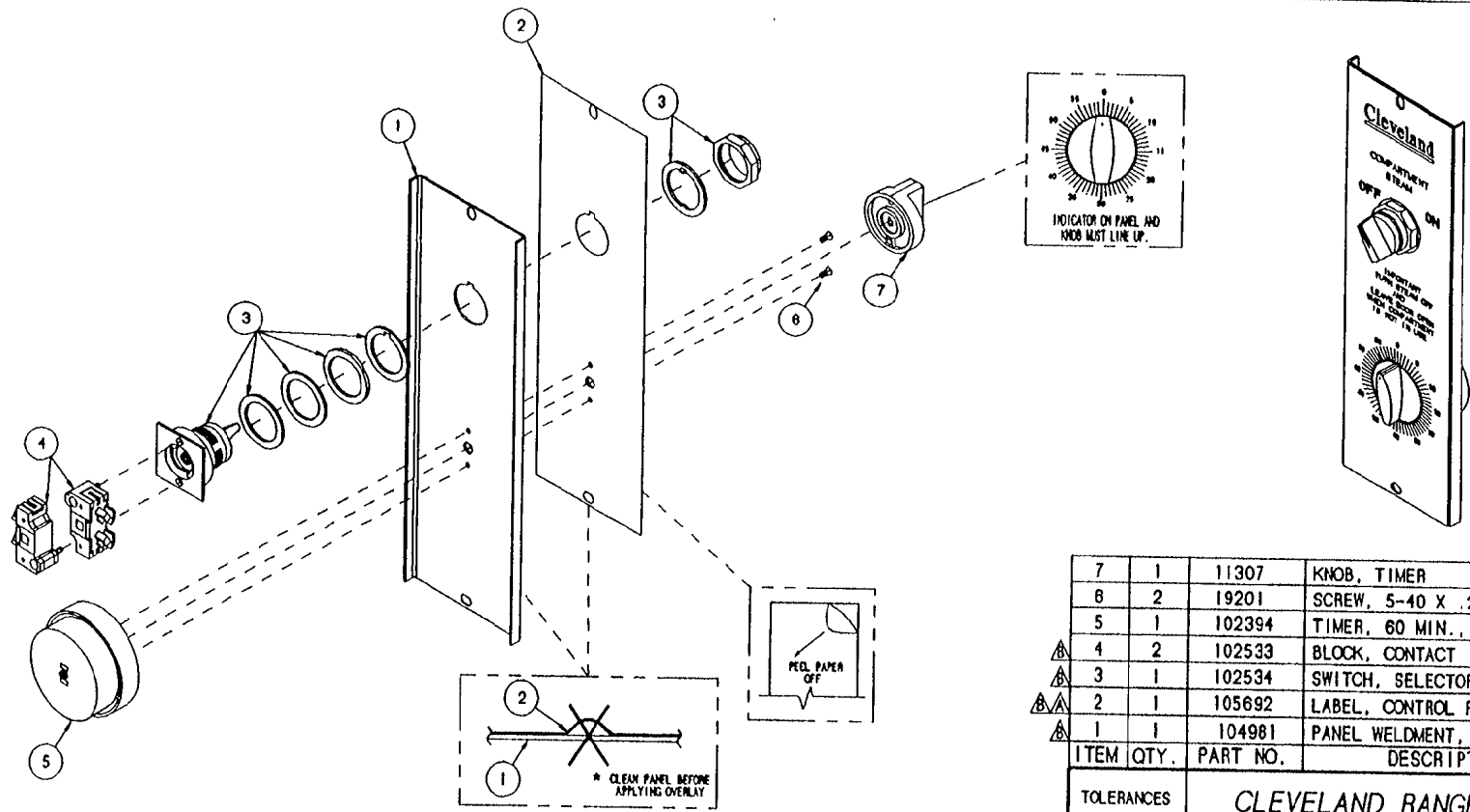
CONSOLIDATED ELECTRICAL DISTRIBUTORS, INC.
7444 TYLER BLVD., MENTOR, OHIO 44060
PHONE (216) 946-8850

THIS DESIGN DESCRIBES A PROPRIETARY ITEM
AND IS THE PROPERTY OF CLEVELAND RANGE.
THIS DRAWING IS NOT TO BE COPIED OR USED
WITHOUT THE APPROVAL OF CLEVELAND RANGE.

LET.	REVISIONS	DATE	BY
------	-----------	------	----

ITEM	QTY.	PART NO.	DESCRIPTION
TOLERANCES (EXCEPT AS NOTED)		CLEVELAND RANGE INC. 1333 East 179th St. Cleveland, Ohio 44110-2574	
DECIMAL ± .030	SCALE 2=1	DRAWN BY DUTCHMAN	APPROVED BY -
ANGULAR ± 1°	TITLE FUSE AND HOLDER ASSY. NCC TIMER RETROFIT		
CK	DATE 05-06-94	DRAWING NO. A - 106881	REV. -

LET.	REVISIONS	DATE	BY
A	HOLES ADDED TO LABEL, P/N 105692 WAS 103719. E.O C-2182.	04/08/92	PJD
B	UPDATED PICTORIALY PER E.O. #C-2429 & #C-2495 & #C-2503	09/13/93	NLT

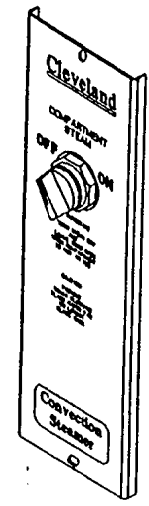
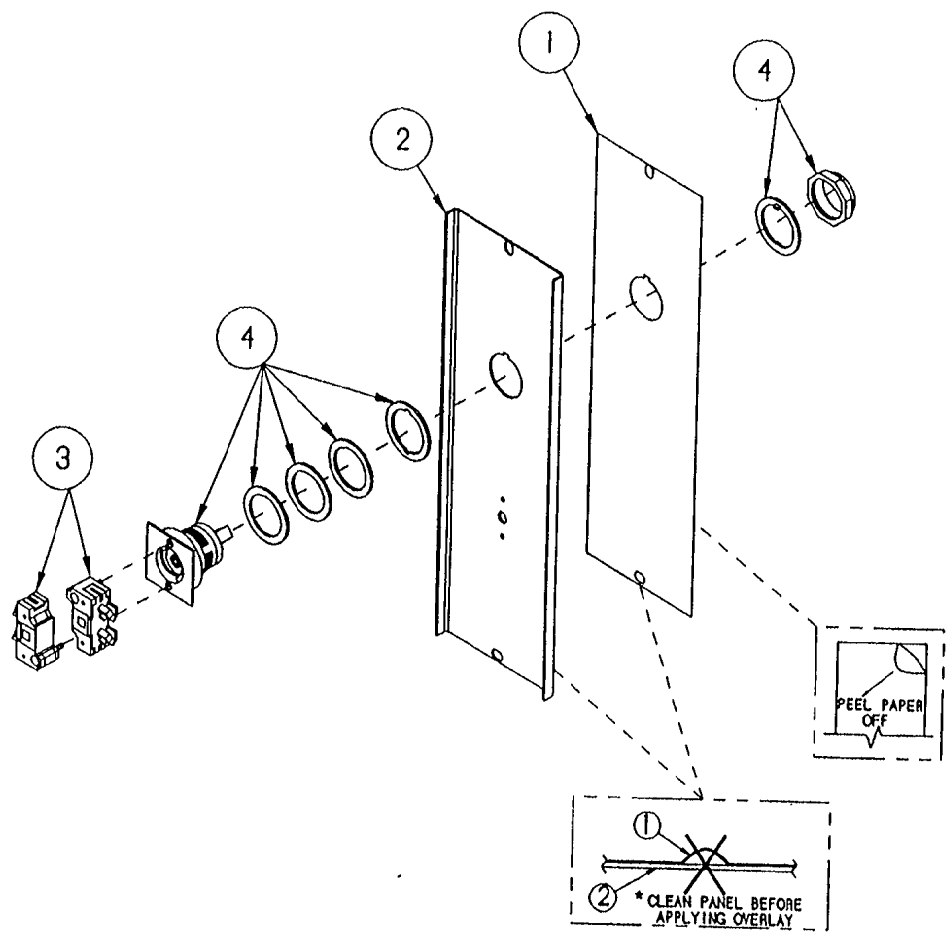


ITEM	QTY.	PART NO.	DESCRIPTION
7	1	11307	KNOB, TIMER
6	2	19201	SCREW, 5-40 X .250, PAN HD
5	1	102394	TIMER, 60 MIN., INDICATING
⚠ 4	2	102533	BLOCK, CONTACT
⚠ 3	1	102534	SWITCH, SELECTOR
⚠ 2	1	105692	LABEL, CONTROL PANEL, ON/OFF
⚠ 1	1	104981	PANEL WELDMENT, ON/OFF CONTROL

TOLERANCES (EXCEPT AS NOTED)		CLEVELAND RANGE INC. 1333 East 179th St. Cleveland, Ohio 44110-2574	
DECIMAL ± N/A	SCALE 3/8=1	DRAWN BY DUTCHMAN	APPROVED BY BEDFORD
ANGULAR ± N/A	TITLE TIMER ASSEMBLY, ON/OFF CONTROL W/ INDICATING TIMER		
CK	DATE 09-19-91	DRAWING NO. B - 104931	REV. B

THIS DESIGN DESCRIBES A PROPRIETARY ITEM AND IS THE PROPERTY OF CLEVELAND RANGE. THIS DRAWING IS NOT TO BE COPIED OR USED WITHOUT THE APPROVAL OF CLEVELAND RANGE.

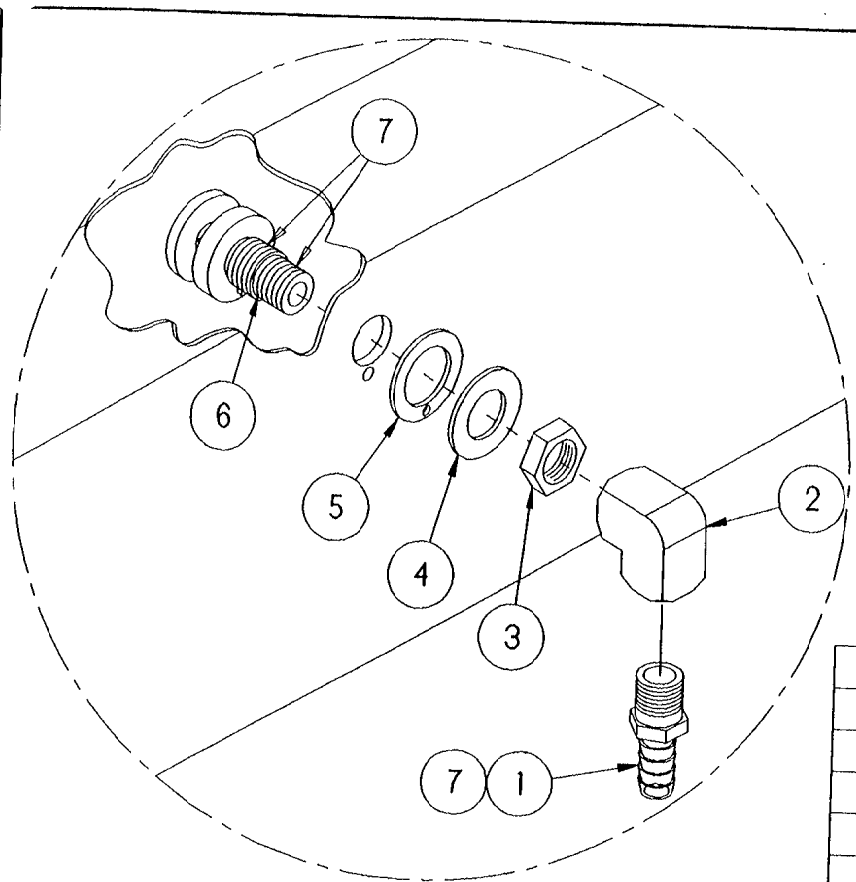
LET	REVISIONS	DATE	BY
A	HOLES ADDED TO LABEL P/N 105691 WAS 103718 EO #C-2182	04-08-92	PJD
B	105891 COLOR/ARTWORK CHANGE & 101981 HOLE PLACEMENT REVISED PER E.O. #C-2503 & C-2424	09-21-93	PJD



NO.	QTY	PART	DESCRIPTION
4	1	102534	SWITCH, SELECTOR
3	2	102533	BLOCK, CONTACT
2	1	104981	PANEL, CONV., ON/OFF
1	1	105691	LABEL, PANEL, ON/OFF

TOLERANCES UNLESS NOTED			
CLEVELAND RANGE INC.			
1233 East 178th St., Cleveland, Ohio 44110-2574			
DECIMAL 1 N/A	SCALE 1/2"	DRAWN BY DUTCHMAN	APPROVED BY D.S.
ANGULAR 2 N/A	TITLE TIMER ASSEMBLY - BACK MOUNTED CONVECTION STEAMER, ON/OFF		
OK	DATE 09-19-91	DRAWING NO. C-104932	REV. B

THIS DESIGN DESCRIBES A PROPRIETARY ITEM AND IS THE PROPERTY OF CLEVELAND RANGE. THIS DRAWING IS NOT TO BE COPIED OR USED WITHOUT THE APPROVAL OF CLEVELAND RANGE.



TYPICAL APPLICATION

THIS DESIGN DESCRIBES A PROPRIETARY ITEM AND IS THE PROPERTY OF CLEVELAND RANGE. THIS DRAWING IS NOT TO BE COPIED OR USED WITHOUT THE APPROVAL OF CLEVELAND RANGE.

LET.	REVISIONS	DATE	BY
A	SEE E.O. #C-2689	09-15-94	PJD

NOTES:

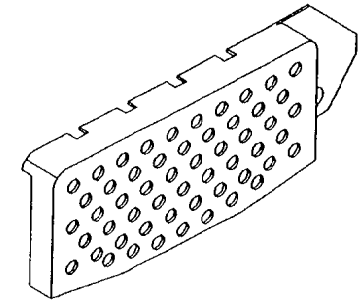
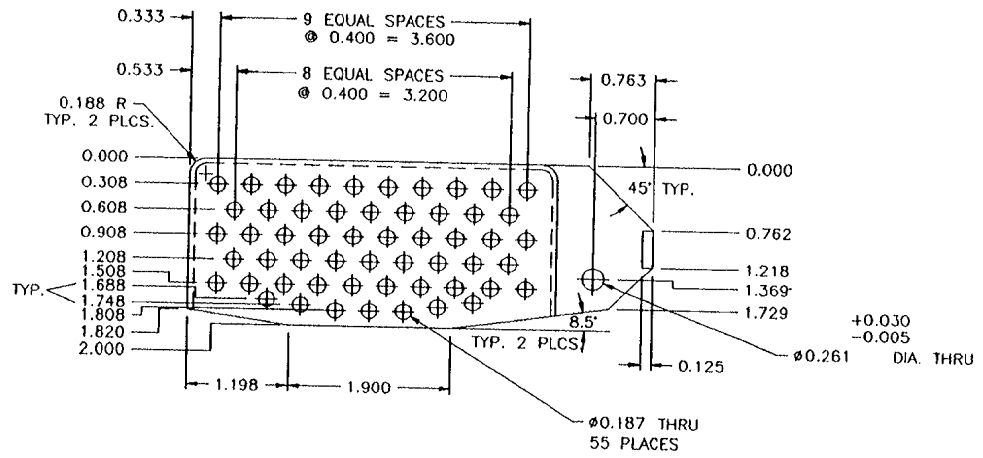
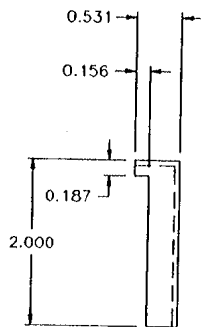
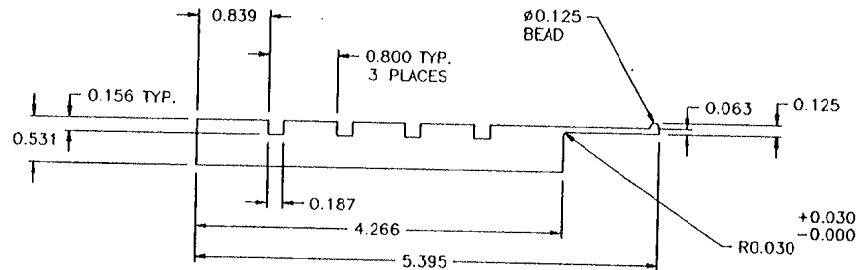
1.) ITEM 2 (P/N 05236) AND ITEM 1 (P/N 105277) TO BE ROTATED TO AN ANGLE THAT WILL MATCH THE OTHER SPRAY NOZZLES OR MEET A MATING HOSE FITTING.

ITEM	QTY.	PART NO.	DESCRIPTION
7	A/R	00934	SEALANT, RECTORSEAL
6	1	104009	FITTING, ASSY, STEAM SUPPLY
5	1	104082	GASKET, STEAM INJECTOR
4	1	104232	WASHER, FLAT S/S
3	1	104081	NUT, JAM 5/8-18, BRASS
2	1	05236	ELBOW, 1/4" X 90°, BRASS
1	1	105277	FITTING, HOSE 3/8 H X 1/4 MPT

TOLERANCES (EXCEPT AS NOTED)		CLEVELAND RANGE INC. 1333 East 179th St. Cleveland, Ohio 44110-2574	
DECIMAL ± .030	SCALE 1/2"		
ANGULAR ± 1°	TITLE SPRAY NOZZLE ASSY. (3/8" HOSE) CONVECTION AND CONVECTION PRO, STEAMCRAFT POWER 10 AND D.C. 10		
CK	DATE 12-14-92	DRAWING NO. A - 106230	REV. A

NOTE: TOLERANCES ARE NON-ACCUMULATIVE

LET.	REVISIONS	DATE	BY
C	REVISED/REDRAWN DEVELOPED NEW EO #C-1889	02/08/91	DJP
D	REVISED/REDRAWN .187 DIA. HOLES REPLACED BY OROUND SLOTS EO #C-1929-	04/30/91	DJP
E	CHANGED BACK TO .187 DIA. HOLES & MATERIAL CHANGED TO TALC FILLED POLYPROPYLENE PER EO #C-2299 R2	09/24/93	NLT
F	ADDED APPROVED SOURCE PER EO #C-2853	07/31/95	DJP



MATERIAL: TALC FILLED POLYPROPYLENE
 NOMINAL THICKNESS: 0.062 IN.
 COLOR: NATURAL

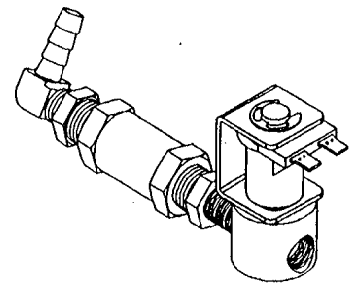
APPROVED SOURCE:

- 1.) ROYAL PLASTIC
 MATERIAL SUPPLIER: FERRO CORP.
 FORMULATION I.D. APP40GR17NA
 NSF DCC F004593-001

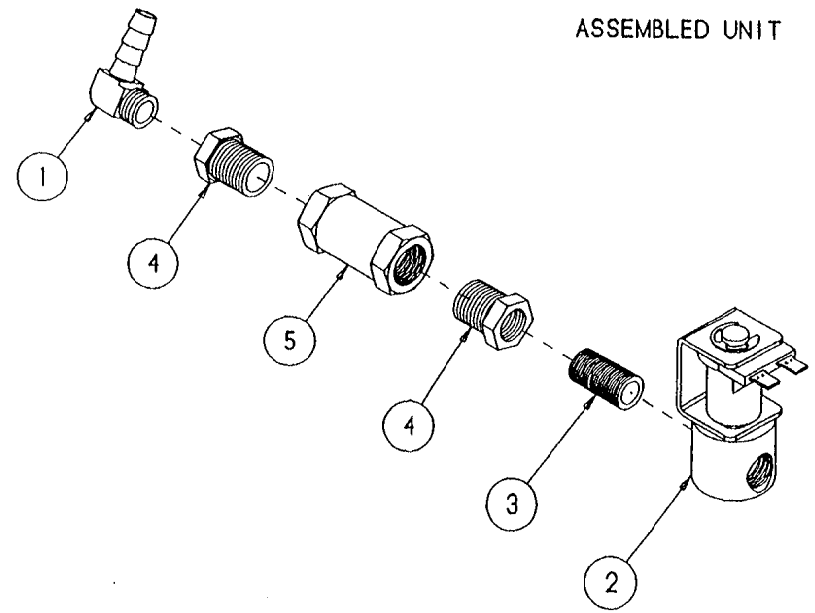
THIS DESIGN DESCRIBES A F ITEM AND IS THE PROPERTY OF CLEVELAND RANGE. THIS DRAWING IS NOT TO BE REPRODUCED OR USED WITHOUT THE APPROVAL OF CLEVELAND RANGE.

ITEM	QTY	PART NO.	DESCRIPTION
CLEVELAND RANGE INC.			
1333 East 170th St. Cleveland, Ohio 44110-2574			
DECIMAL ± 0.30	SCALE 1=1	DRAWN BY NLT	APPROVED BY
ANGULAR ± 1°	TITLE SCREEN, DRAIN CO' MOLDED PLA		ENT,
AC	DATE 12/16/92	DRAWING NO. C-60208	REV

LET.	REVISIONS	DATE	BY
------	-----------	------	----



ASSEMBLED UNIT



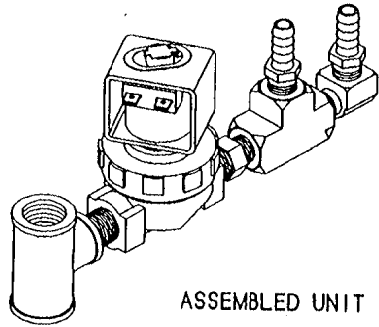
PRODUCTION

ITEM	QTY.	PART NO.	DESCRIPTION
5	1	15455	FLOW CONTROLLER, COND REGULATOR, 3/8"
4	2	02594	BUSHING, HEX, 3/8 X 1/4, BRASS
3	1	14304	NIPPLE, 1/4 X CLOSE, YELLOW BRASS
2	1	22218	VALVE, SOLENOID
1	1	105786	FTING, HOSEBARB, 1/4MPT X 1/4H, 90°

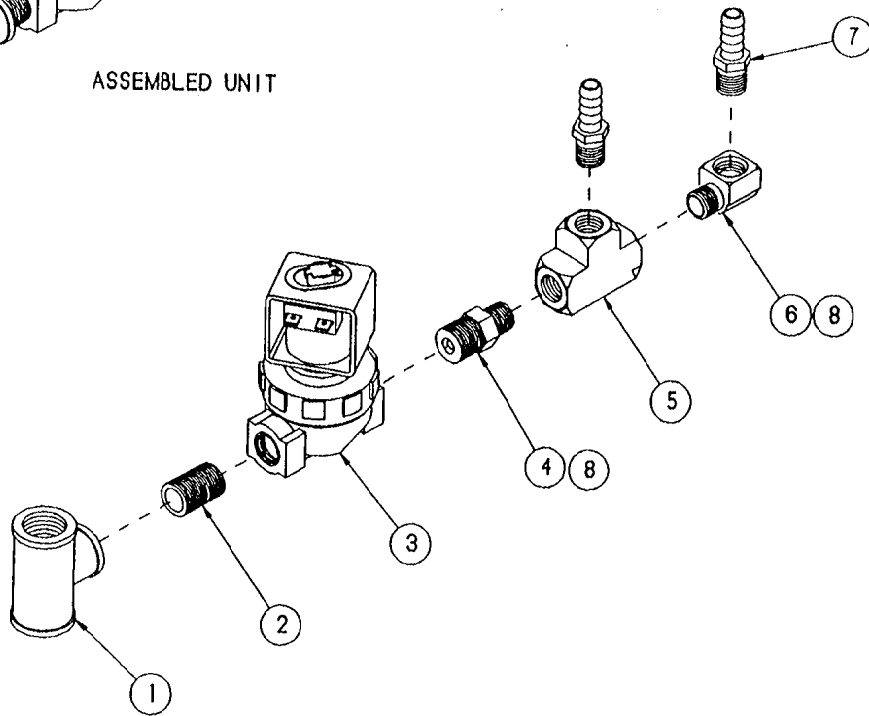
TOLERANCES (EXCEPT AS NOTED)		CLEVELAND RANGE INC. 1333 East 179th St. Cleveland, Ohio 44110-2574	
DECIMAL ± .030	SCALE 5/8"	DRAWN BY Dutchman	APPROVED BY
ANGULAR ± 1°	TITLE WATER VALVE ASSEMBLY CONVECTION		
CK	DATE 02-23-94	DRAWING NO. B - 106831	REV. -

THIS DESIGN DESCRIBES A PROPRIETARY ITEM AND IS THE PROPERTY OF CLEVELAND RANGE. THIS DRAWING IS NOT TO BE COPIED OR USED WITHOUT THE APPROVAL OF CLEVELAND RANGE.

LET	REVISIONS	DATE	BY
-----	-----------	------	----



ASSEMBLED UNIT



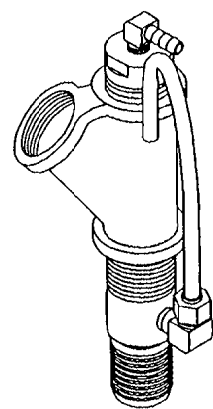
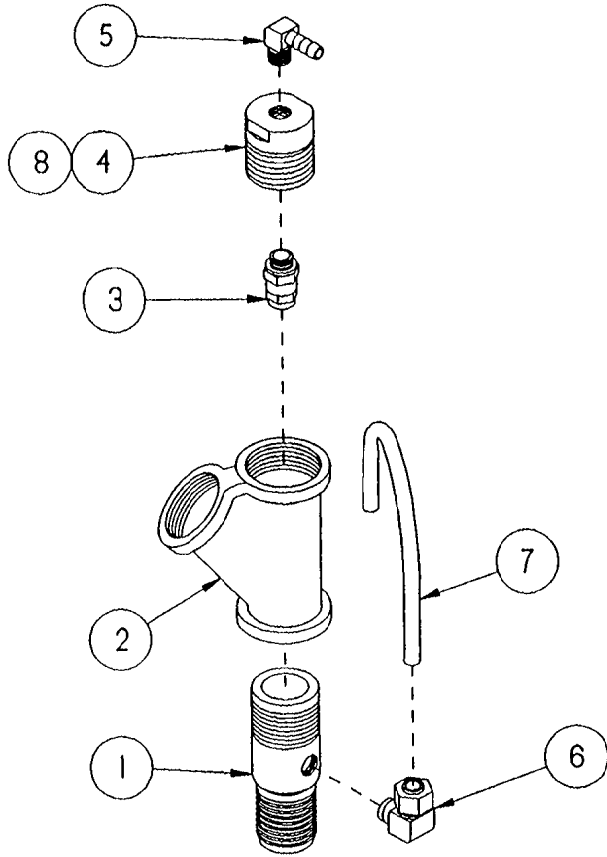
PRODUCTION

ITEM	QTY.	PART NO.	DESCRIPTION
8	A/R	00934	SEALANT, RECTORSEAL
7	2	105277	FITTING, HOSE BARB 3/8 H X 1/4 NPT
6	1	05235	ELBOW, STREET 1/4" X 90°, BRASS
5	1	20199	TEE, 1/4" BRASS
4	1	105699	FITTING, FLOW RESTRICTOR, 3/8 X 1/4
3	1	22224	VALVE, STEAM SOLENOID 1-80 PSI
2	1	14427	NIPPLE, 3/8 X CLOSE, BRASS
1	1	100676	TEE, 1/2 X 3/8 X 1/2, BRASS

TOLERANCES (EXCEPT AS NOTED)		CLEVELAND RANGE INC. 1333 East 179th St. Cleveland, Ohio 44110-2574	
DECIMAL ± N/A	SCALE 1/2"	DRAWN BY Dulchman	APPROVED BY
ANGULAR ± N/A	TITLE STEAM, INLET ASSEMBLY CONVECTION		
CK	DATE 02-23-94	DRAWING NO. B - 106830	REV. -

THIS DESIGN DESCRIBES A PROPRIETARY ITEM AND IS THE PROPERTY OF CLEVELAND RANGE. THIS DRAWING IS NOT TO BE COPIED OR USED WITHOUT THE APPROVAL OF CLEVELAND RANGE.

LET.	REVISIONS	DATE	BY
A	P/N 105787 WAS 08192 PER E.O. #C-2579	02-25-94	PJD



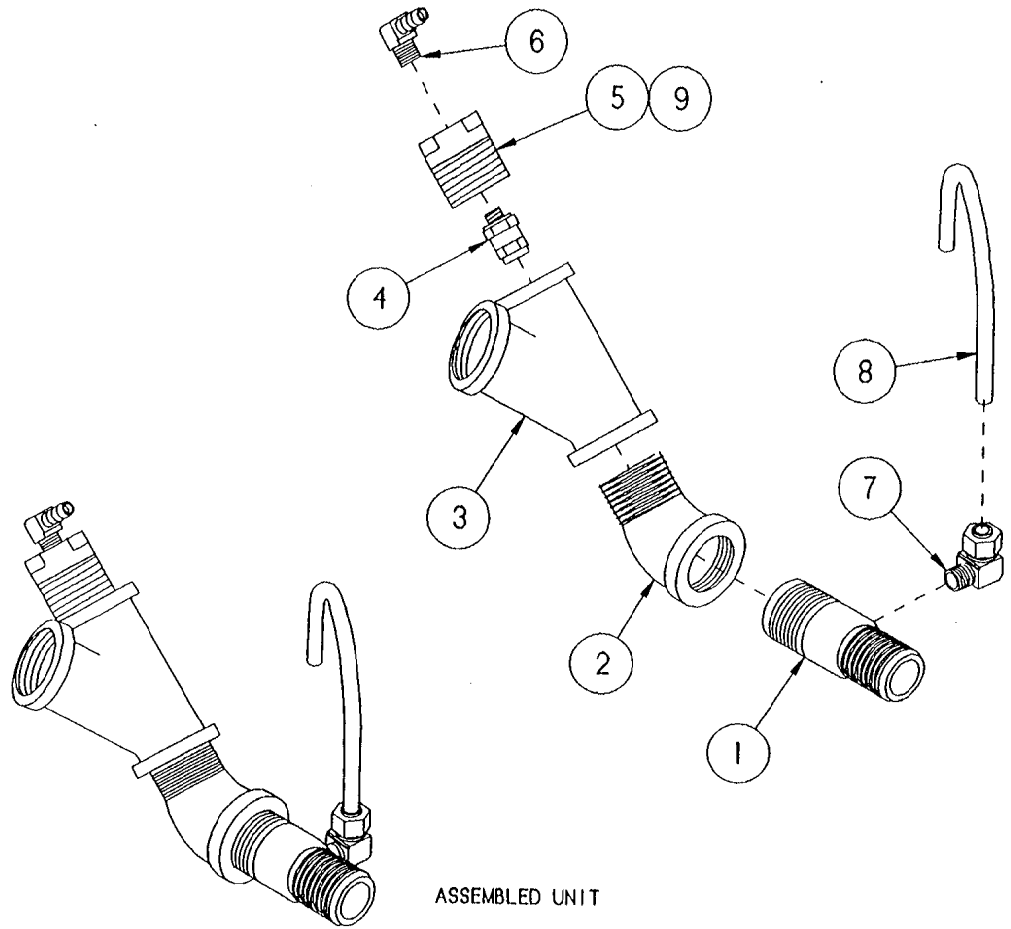
ASSEMBLED UNIT

ITEM	QTY.	PART NO.	DESCRIPTION
8	A/R	101051	NEVER-SEEZ
7	1	70732	TUBE, COPPER, DRAIN VENT
6	1	06233	FITTING, COMP. 3/8 T X 1/8 90°
5	1	105787	FITTING 1/4 H X 1/8 MPT 90°
4	1	06230	FITTING, COMPARTMENT DRAIN
3	1	14555	NOZZLE, SPRAY, 1/8 FULL JET
2	1	02139	BEND, "Y" BLACK
1	1	565191	FITTING, HOSE 1" W/ 1/8" HOLE

TOLERANCES (EXCEPT AS NOTED)		CLEVELAND RANGE INC. 1333 East 179th St. Cleveland, Ohio 44110-2574	
DECIMAL ± N/A	SCALE 1/2" = 1"	DRAWN BY PJD	APPROVED BY
ANGULAR ± N/A	TITLE DRAIN ASSEMBLY, CONVECTION UPPER COMPARTMENT		
CK	DATE 11-01-93	DRAWING NO. B - 106473	REV. A

THIS DESIGN DESCRIBES A PROPRIETARY ITEM AND IS THE PROPERTY OF CLEVELAND RANGE. THIS DRAWING IS NOT TO BE COPIED OR USED WITHOUT THE APPROVAL OF CLEVELAND RANGE.

LET.	REVISIONS	DATE	BY
A	P/N 105787 WAS 06192 PER E.O. #C-2579	02-25-94	PJD

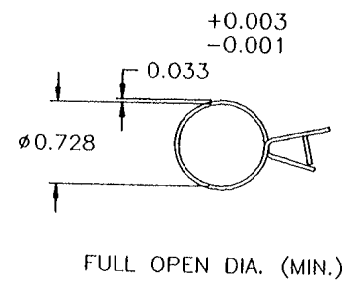
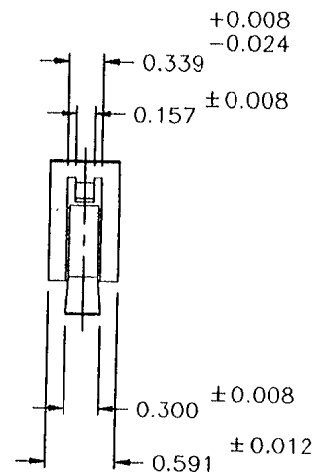
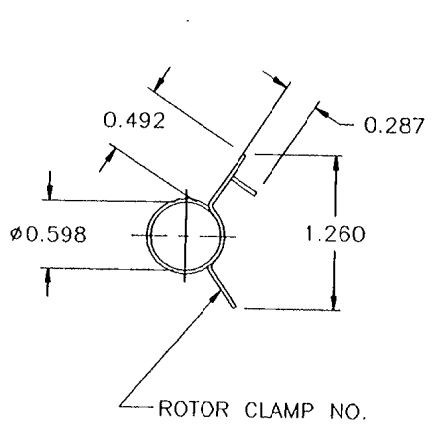


THIS DESIGN DESCRIBES A PROPRIETARY ITEM AND IS THE PROPERTY OF CLEVELAND RANGE. THIS DRAWING IS NOT TO BE COPIED OR USED WITHOUT THE APPROVAL OF CLEVELAND RANGE.

ITEM	QTY.	PART NO.	DESCRIPTION
9	A/R	101051	NEVER-SEEZ
8	1	70732	FITTING, HOSE 3/8 H X 1/8 MPT, 90°
7	1	06233	FITTING, COMP. 3/8 T X 1/8 90°
6	1	105787	FITTING 1/4 H X 1/8 MPT 90°
5	1	06230	FITTING, COMPARTMENT DRAIN
4	1	14555	NOZZLE, SPRAY, 1/8" FULL JET
3	1	02139	BEND, "Y" BLACK
2	1	05227	ELBOW, STREET 1" X 45° BLACK
1	1	565191	FITTING, HOSE 1" W/ 1/8" HOLE

TOLERANCES (EXCEPT AS NOTED)		CLEVELAND RANGE INC. 1333 East 179th St. Cleveland, Ohio 44110-2574	
DECIMAL ± N/A	SCALE 1/2" = 1"	DRAWN BY PJD	APPROVED BY
ANGULAR ± N/A	TITLE DRAIN ASSEMBLY, CONVECTION LOWER COMPARTMENT		
CK	DATE 11-01-93	DRAWING NO. B - 1064731	REV. A

LET.	REVISIONS	DATE	BY
------	-----------	------	----



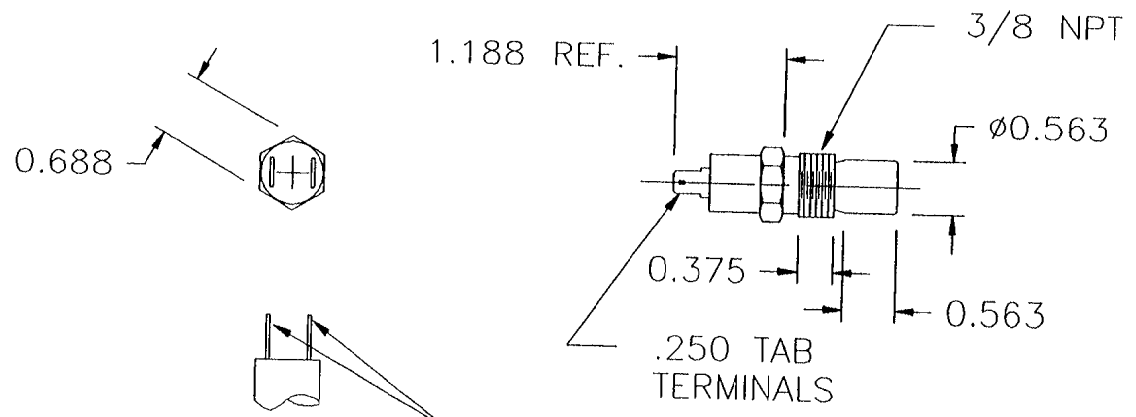
APPROVED SOURCE :
 ALEXANDER SALES
 ROTOR CLIP P/N = #CTB-17 ST DB

SPECIFICATIONS :
 MATERIAL = CHROME VANADIUM STEEL SAE 6150
 (DIN 17222, JIS G 4802)
 FINISH = DORRIFLAKE BLACK
 COLOR = BLACK

THIS DESIGN DESCRIBES A PROPRIETARY ITEM AND IS THE PROPERTY OF CLEVELAND RANGE.
 THIS DRAWING IS NOT TO BE COPIED OR USED WITHOUT THE APPROVAL OF CLEVELAND RANGE

ITEM	QTY	PART NO.	DESCRIPTION
TOLERANCES (EXCEPT AS NOTED)		CLEVELAND RANGE INC. 1333 East 179th St. Cleveland, Ohio 44110-2574	
DECIMAL ± .030	SCALE 1=1	DRAWN BY PJD	APPROVED BY
ANGULAR ± 1°	TITLE CLAMP, HOSE (5/8" O.D. HOSE) METAL TENSION BAND		
AC	DATE 11/11/01	DRAWING NO. D-107007	REV

LET.	REVISIONS	DATE	BY
A	ADDED APPROVED SOURCE NO. 2	1-03-78	DK
B	1) WAS MODEL NO. 5022-2-181 2) ADDED TO APPROVED SOURCE NO.1	5-06-81	FGF
C	WAS MODEL NO. 08-810211-045 REVISED PER ECN #1017	1-16-85	JM
D	REF: FENWAL INC. ADD: C.S.A. FILE NO. PER ECO #1202	9-30-87	DJP
-	REDRAWN (ACAD), NO CHANGE	10-21-93	CCAD



SPECIFICATIONS:
CLOSE ON RISE ~ 193 ± 5°F
OPEN ~ 173 ± 7°F
UL APPROVED

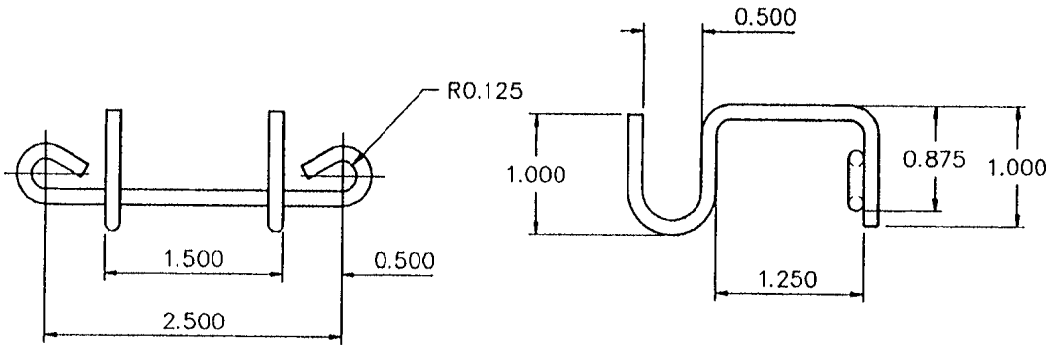
APPROVED SOURCE

- PROTECTIVE CONTROLS INC.
MODEL NO. 5100-002-181
U.L. FILE NO. E 36687
C.S.A FILE NO. LR 25561
- FENWAL INCORPORATED
MODEL NO. 08-809004-001
U.L. FILE NO. E18974C
C.S.A. FILE NO. LR7378-111

THIS DESIGN DESCRIBES A PROPRIETARY ITEM AND IS THE PROPERTY OF CLEVELAND RANGE.
THIS DRAWING NOT TO BE COPIED OR USED WITHOUT THE APPROVAL OF CLEVELAND RANGE

ITEM	QTY	PART NO.	DESCRIPTION	
TOLERANCES (EXCEPT AS NOTED)		CLEVELAND RANGE INC. 1333 East 179th St. Cleveland, Ohio 44110-2574		
DECIMAL ± -	SCALE 1=2	DRAWN BY TKB	APPROVED BY	
ANGULAR ± 1°	TITLE THERMAL SWITCH			
AC	DATE 5-29-74	DRAWING NO. A-19972	REV D	

LET.	REVISIONS	DATE	BY
A	REDESIGNED PER EO C-2579R1.	7-18-94	EJK



MATERIAL: 304 STAINLESS STEEL WIRE
11 GAGE (.120)

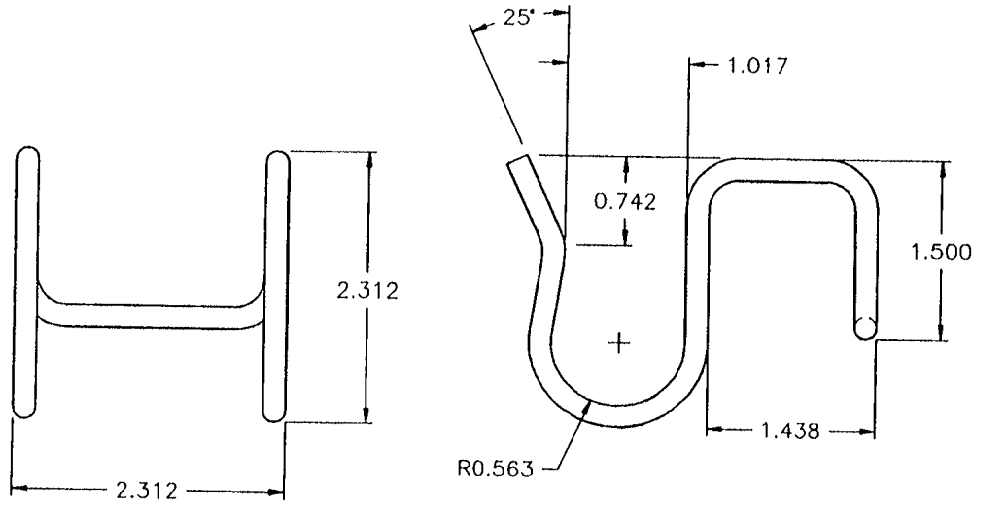
ITEM	QTY	PART NO.	DESCRIPTION	
TOLERANCES (EXCEPT AS NOTED)		CLEVELAND RANGE INC. 1333 East 179th St. Cleveland, Ohio 44110-2574		
DECIMAL $\pm .125$	SCALE 1=1	DRAWN BY EJK	APPROVED BY	
ANGULAR $\pm 1^\circ$	TITLE BRACKET, WIRE CONDENSER SOL.			
AC	DATE 10-20-92	DRAWING NO. B- 106159	REV A	

THIS DESIGN DESCRIBES A PROPRIETARY ITEM AND IS THE PROPERTY OF CLEVELAND RANGE.
THIS DRAWING IS NOT TO BE COPIED OR USED WITHOUT THE APPROVAL OF CLEVELAND RANGE

NOTES:

1. ALL BEND RADII ARE .25 UNLESS OTHERWISE SPECIFIED.

LET.	REVISIONS	DATE	BY
------	-----------	------	----



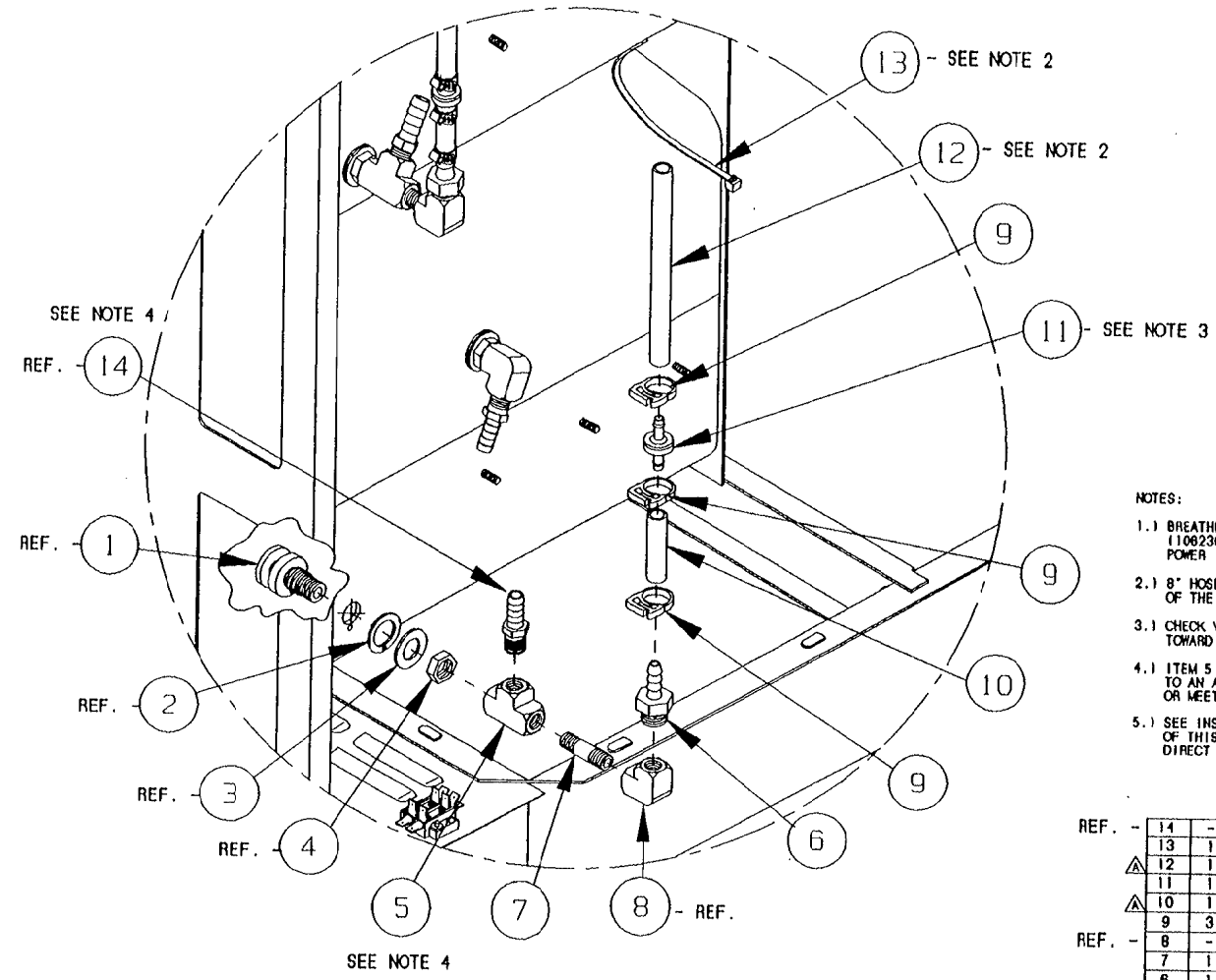
MATERIAL:
 WIRE, STAINLESS STEEL, 304
 3/16 DIA WIRE

ITEM	QTY	PART NO.	DESCRIPTION
TOLERANCES (EXCEPT AS NOTED)		CLEVELAND RANGE INC. 1333 East 179th St. Cleveland, Ohio 44110-2574	
DECIMAL ± .030	SCALE 1=1	DRAWN BY JPB	APPROVED BY
ANGULAR ± 1°	TITLE BRACKET, WIRE, VALVE SUPPORT		
AC	DATE 1/10/94	DRAWING NO. B-106752	REV -

THIS DESIGN DESCRIBES
 THIS DRAWING IS A

PROPRIETARY ITEM AND IS THE PROPERTY OF CLEVELAND RANGE.
 BE COPIED OR USED WITHOUT THE APPROVAL OF CLEVELAND RANGE

LET.	REVISIONS	DATE	BY
A	SEE E.D. #C-2785	12-18-94	PJD



NOTES:

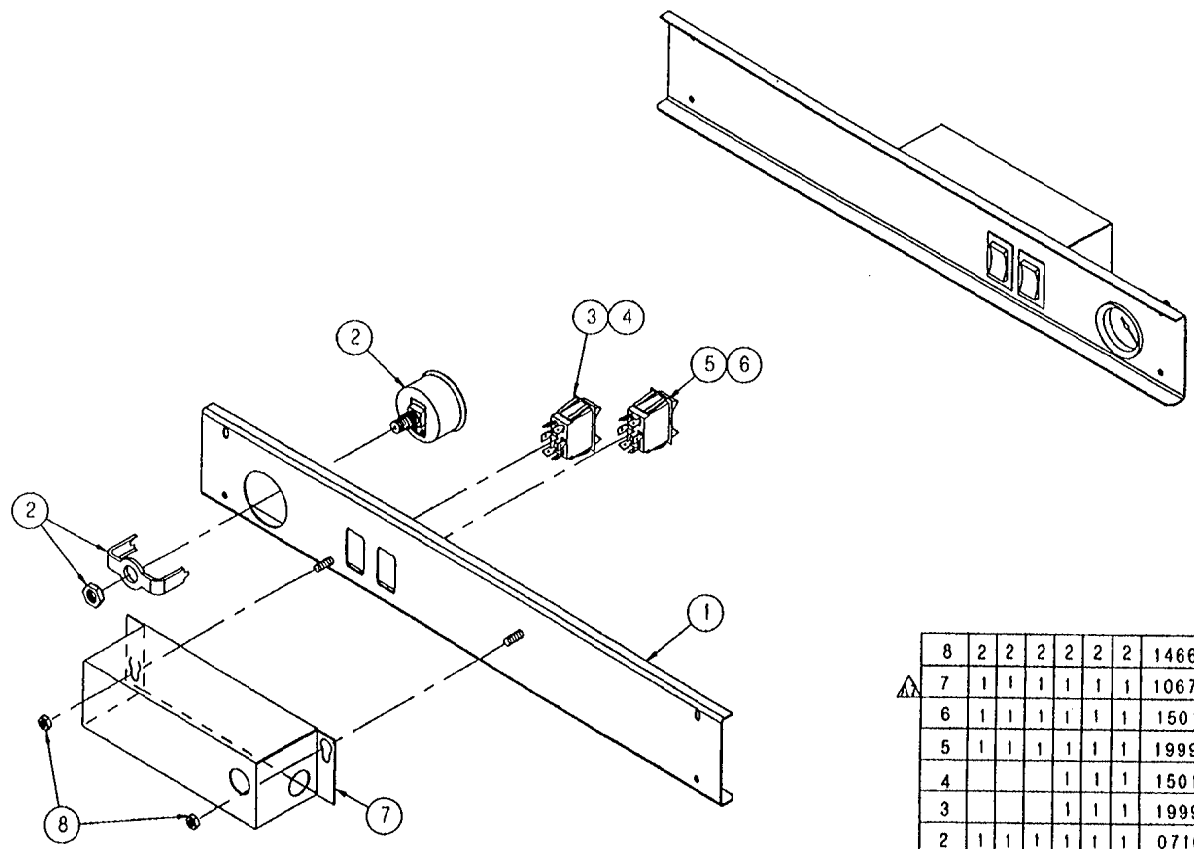
- 1.) BREATHER ASSY. (107059) TO REPLACE ONE SPRAY NOZZLE ASSY. (1108230) ONE PLACE PER CAVITY ON ALL CONVECTION, POWER 10 AND DIRECT CONNECT 10 UNITS.
- 2.) 8" HOSE IS TO BE SECURED WITH NYLON CABLE TO THE HOSE OF THE SPRAY NOZZLE ASSY. DIRECTLY ABOVE THE NEW ASSY.
- 3.) CHECK VALVE - SIDE WHICH READS "VAC" MUST FACE DOWN TOWARD HOSE BARB
- 4.) ITEM 5 (P/N 20199) AND ITEM 14 (P/N 105277) TO BE ROTATED TO AN ANGLE THAT WILL MATCH THE OTHER SPRAY NOZZLES OR MEET A MATING HOSE FITTING
- 5.) SEE INSTRUCTIONAL DRAWING 280ALC1-280ALC3 FOR INSTALLATION OF THIS ASSEMBLY INTO THE CONVECTION, POWER 10 AND DIRECT CONNECT STEAMER UNITS.

REF.	QTY.	PART NO.	DESCRIPTION
REF. -	14	105277	FITTING, 3/8 HOSE X 1/4 MPT
	13	20451	TIE, NYLON CABLE
△	12	1043790500	HOSE, SILICONE 1/4 ID X 1/2 OD X 5'
	11	107032	CHECK VALVE, PLASTIC DIAPHRAGM
△	10	1043790300	HOSE, SILICONE 1/4 ID X 1/2 OD X 3'
	9	14883	CLAMP, HOSE, NYLON
REF. -	8	05236	ELBOW, 1/4 X 90°, BRASS
	7	14411	NIPPLE, 1/4 X 1.5", BRASS
	6	104381	FITTING, 1/4 HOSE X 1/4 MPT
	5	20199	TEE, 1/4 BRASS
	4	104081	NUT, HEX JAM 5/8-18 BRASS
	3	104232	WASHER, FLAT 6/S
REF. -	2	104082	GASKET, STEAM INJECTOR
	1	104009	FITTING ASSY., STEAM SUPPLY
	ITEM	QTY.	PART NO.
			DESCRIPTION

TOLERANCES (EXCEPT AS NOTED)			
CLEVELAND RANGE INC. 1333 East 179th St. Cleveland, Ohio 44110-2574			
DECIMAL ± N/A	SCALE 3/16=1	DRAWN BY DUTCHMAN	APPROVED BY
ANGULAR ± N/A	TITLE BREATHER/SPRAY NOZZLE ASSY. (3/8" HOSE) CONVECTION, POWER 10 AND D.C. 10		
CK	DATE 09-15-94	DRAWING NO. C - 107059	REV. A

THIS DESIGN DESCRIBES A PROPRIETARY ITEM AND IS THE PROPERTY OF CLEVELAND RANGE. THIS DRAWING IS NOT TO BE COPIED OR USED WITHOUT THE APPROVAL OF CLEVELAND RANGE.

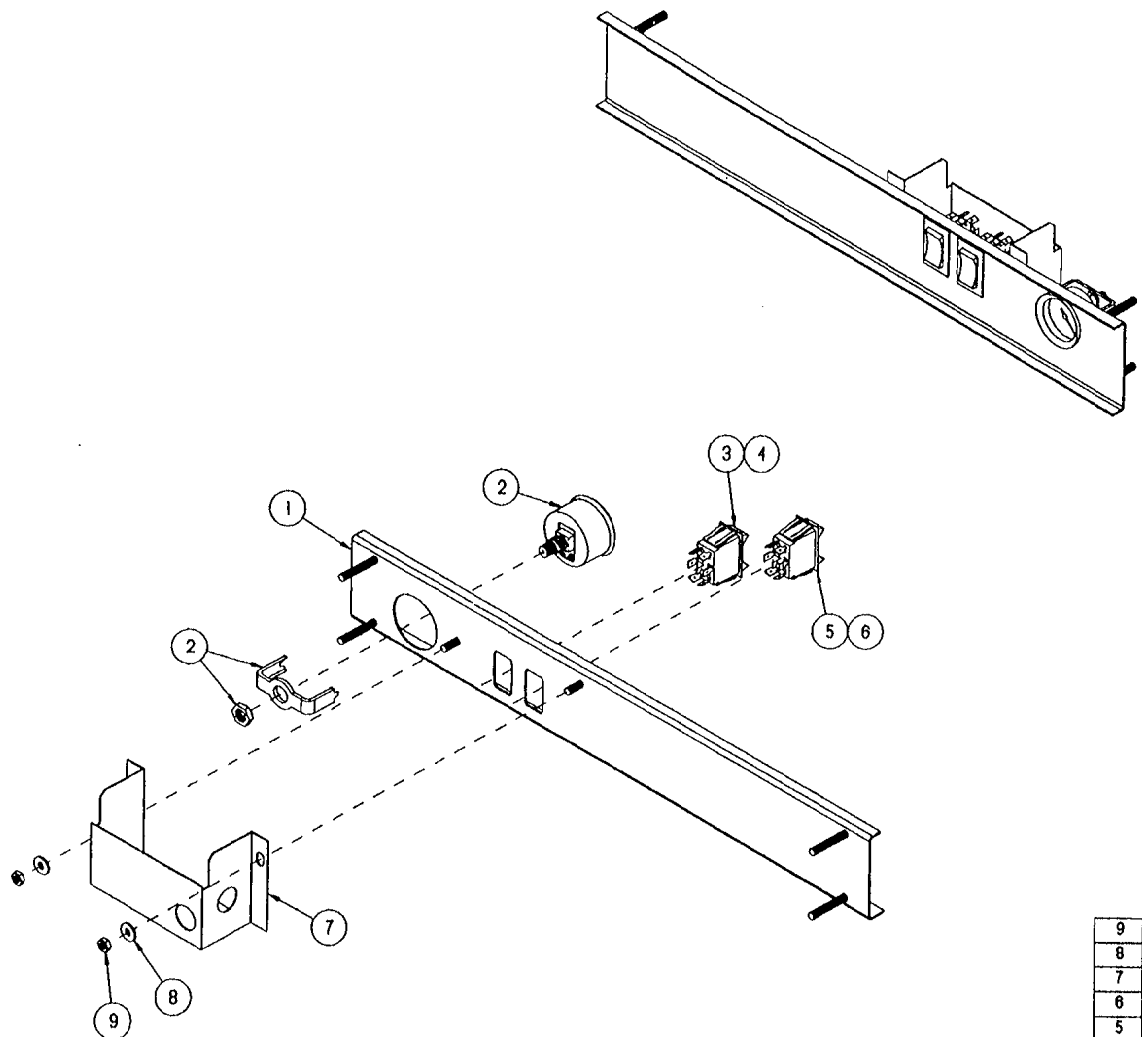
LET	REVISIONS	DATE	BY
A	DELETED P/H 23116. P/H'S REVISED:	05-19-94	EAG
-	1) 105133 WAS 1041543. 2) 105134 WAS		
-	1041514. 3) 105135 WAS 1041545.		
-	4) 1051331 WAS 104154. 5) 1051341 WAS		
-	1041541. 6) 1051351 WAS 1041542.		
-	7) P/H 108740 WAS 105516. E.O. C-2843		



ITEM	QTY.	PART NO.	DESCRIPTION
8	2 2 2 2 2 2 2	14665	NUT, HEX LOCK ELASTIC, 1/4-20, S/S
7	1 1 1 1 1 1 1	106740	BOX, SWITCH PROTECTION
6	1 1 1 1 1 1 1	15018	LABEL, POWER, CONSOLE SWITCH
5	1 1 1 1 1 1 1	19993	SWITCH, ROCKER, DPDT, ON-OFF, 6 AMP
4		15019	LABEL, STEAM-CONSOLE SWITCH
3		19994	SWITCH, ROCKER, SPST, 15 AMP
2	1 1 1 1 1 1 1	07168	GAUGE, PRESSURE, BACK MOUNT, 10 PSI
1		1051351	CONSOLE STUD ASSY, 1050 MM 1 SWITCH
		1051341	CONSOLE STUD ASSY, 900 MM 1 SWITCH
		1051331	CONSOLE STUD ASSY, 600 MM 1 SWITCH
		105135	CONSOLE STUD ASSY, 1050 MM 2 SWITCH
		105134	CONSOLE STUD ASSY, 900 MM 2 SWITCH
		105133	CONSOLE STUD ASSY, 600 MM 2 SWITCH

THIS DESIGN DESCRIBES A PROPRIETARY ITEM AND IS THE PROPERTY OF CLEVELAND RANGE. THIS DRAWING IS NOT TO BE COPIED OR USED WITHOUT THE APPROVAL OF CLEVELAND RANGE.

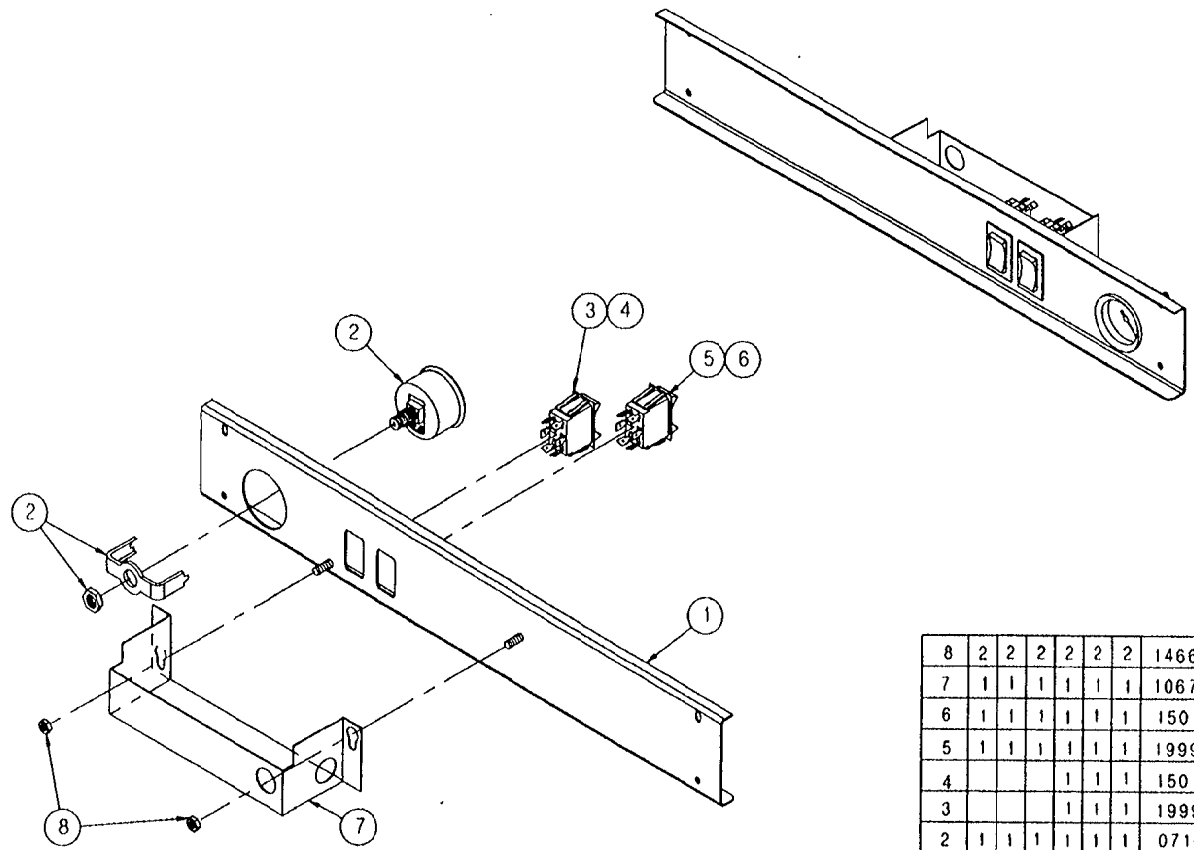
TOLERANCES (EXCEPT AS NOTED)		CLEVELAND RANGE INC.	
DECIMAL ± N/A	SCALE 3/8	1333 East 179th St. Cleveland, Ohio 44110-2574	
ANGULAR ± 1°	TITLE	DRAWN BY DUTCHMAN	APPROVED BY
	1 & 2 SWITCH CONTROL		
DATE 10-08-93	DRAWING NO. C - 104807 TO 16		REV. 5 A



9	2	14665	NUT, HEX LOCK ELASTIC, 1/4-20, S/S
8	2	23118	WASHER, FLAT, 1/4 ID X 5/8 OD X .065
7	1	105516	BOX, SWITCH PROTECTION
6	1	15018	LABEL, POWER, CONSOLE SWITCH
5	1	19993	SWITCH, ROCKER, DPDT, ON-OFF, 8 AMP
4	1	15019	LABEL, STEAM-CONSOLE SWITCH
3	1	19994	SWITCH, ROCKER, SPST, 15 AMP
2	1	07168	GAUGE, PRESSURE, BACK MOUNT, 10 PSI
1	1	1041543	CONSOLE STUD ASSY, 900 MM 2 SWITCH
ITEM	QTY.	PART NO.	DESCRIPTION

CLEVELAND RANGE INC. 1333 East 179th St. Cleveland, Ohio 44110-2574			
TOLERANCES (UNLESS AS NOTED)	SCALE 3/8	DRAWN BY E. GRIVEAS	APPROVED BY NLT
DECIMAL ± N/A	TITLE CONSOLE ASSY, 800 MM, 2 SWITCH CONTROL		
ANGULAR ± 1°	DATE 10-08-93	DRAWING NO. C - 1048073	REV -

THIS DESIGN DESCRIBES A PROPRIETARY ITEM AND IS THE PROPERTY OF CLEVELAND RANGE. THIS DRAWING IS NOT TO BE COPIED OR USED WITHOUT THE APPROVAL OF CLEVELAND RANGE.

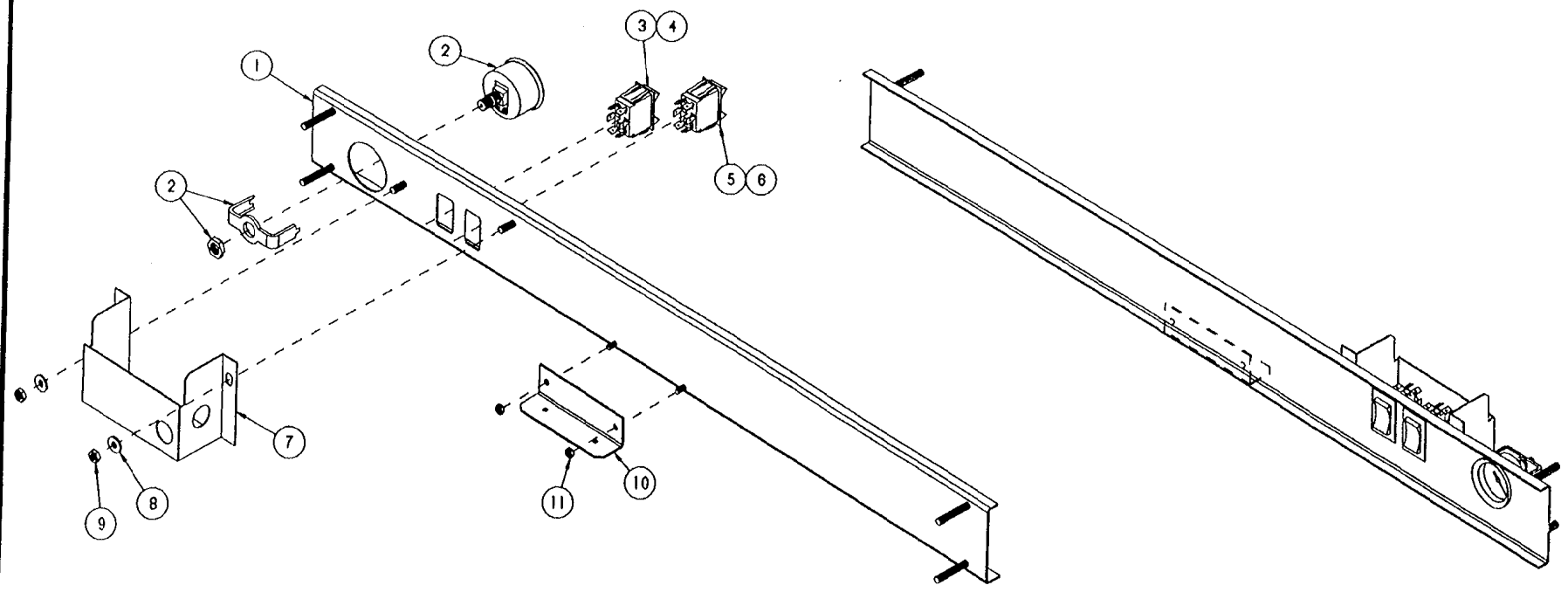


8	2	2	2	2	2	2	14665	NUT, HEX LOCK ELASTIC, 1/4-20, S/S
7	1	1	1	1	1	1	106739	BOX, SWITCH PROTECTION
6	1	1	1	1	1	1	15018	LABEL, POWER, CONSOLE SWITCH
5	1	1	1	1	1	1	19993	SWITCH, ROCKER, DPDT, ON-OFF, 6 AMP
4				1	1	1	15019	LABEL, STEAM-CONSOLE SWITCH
3				1	1	1	19994	SWITCH, ROCKER, SPST, 15 AMP
2	1	1	1	1	1	1	07168	GAUGE, PRESSURE, BACK MOUNT, 10 PSI
1			1				1051351	CONSOLE STUD ASSY, 1050 MM 1 SWITCH
		1					1051341	CONSOLE STUD ASSY, 900 MM 1 SWITCH
	1						1051331	CONSOLE STUD ASSY, 600 MM 1 SWITCH
						1	105135	CONSOLE STUD ASSY, 1050 MM 2 SWITCH
					1		105134	CONSOLE STUD ASSY, 900 MM 2 SWITCH
				1			105133	CONSOLE STUD ASSY, 600 MM 2 SWITCH
ITEM	QTY.		PART NO.		DESCRIPTION			

106193	1061931	1061932	1061933	1061934	1061935	CLEVELAND RANGE INC. 1333 East 179th St. Cleveland, Ohio 44110-2574		
TOLERANCES (EXCEPT AS NOTED)		DECIMAL ± N/A	ANGULAR ± 1°	SCALE 3/8	DRAWN BY E. GRIVEAS	APPROVED BY		
1 SWITCH CONTROL		2 SWITCH CONTROL		CK		TITLE CONSOLE ASSY, TABLETOP W/TR 1 & 2 SWITCH CONTROL		
DATE 05-19-34		DRAWING NO. C - 106193 TO 1061935		REV		-		

THIS DESIGN DESCRIBED
AND IS THE PROPERTY
THIS DRAWING IS NOT
WITHOUT THE APPROVAL

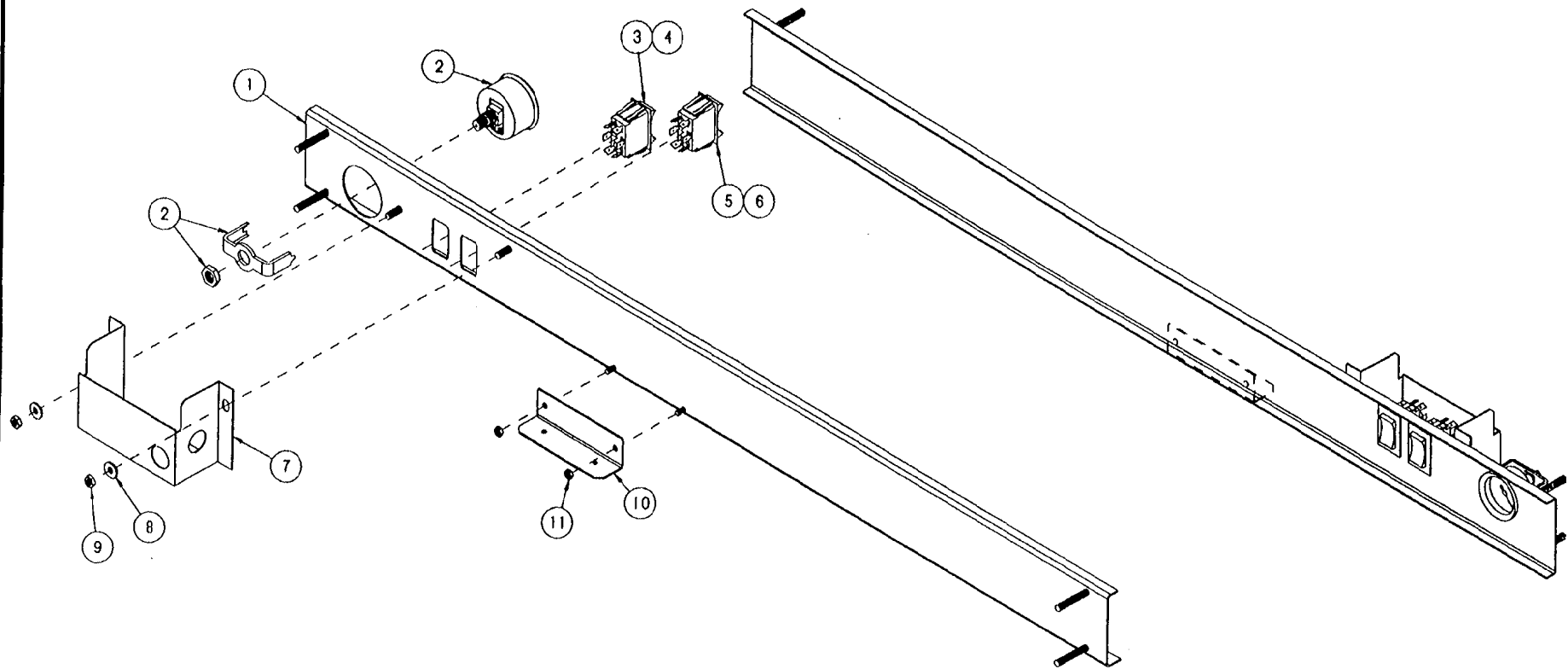
PROPRIETARY ITEM
CLEVELAND RANGE
COPIED OR USED
CLEVELAND RANGE.



11	2	14692	NUT, HEX LOCK ELASTIC, 10-24 ZINC PL
10	1	102535	BRACKET, MAGNET MOUNT
9	2	14865	NUT, HEX LOCK ELASTIC, 1/4-20, S/S
8	2	23118	WASHER, FLAT, 1/4 ID X 5/8 OD X .085
7	1	105510	BOX, SWITCH PROTECTION
6	1	15018	LABEL, POWER, CONSOLE SWITCH
5	1	19993	SWITCH, ROCKER, DPDT, ON-OFF, 8 AMP
4	1	15019	LABEL, STEAM-CONSOLE SWITCH
3	1	19994	SWITCH, ROCKER, SPST, 15 AMP
2	1	0716B	GAUGE, PRESSURE, BACK MOUNT, 10 PSI
1	1	1041544	CONSOLE STUD ASSY, 900 MM 2 SWITCH
ITEM	QTY	PART NO.	DESCRIPTION

CLEVELAND RANGE INC. 1333 East 179th St. Cleveland, Ohio 44110-2574			
TOLERANCES (EXCEPT AS NOTED)	SCALE	DRAWN BY	APPROVED BY
DECIMAL ± N/A	3/8	E. GRIVEAS	NLT
ANGULAR ± 1°	TITLE CONSOLE ASSY, 900 MM, 2 SWITCH CONTROL		
CK	DATE 09-20-93	DRAWING NO. C - 1048074	REV -

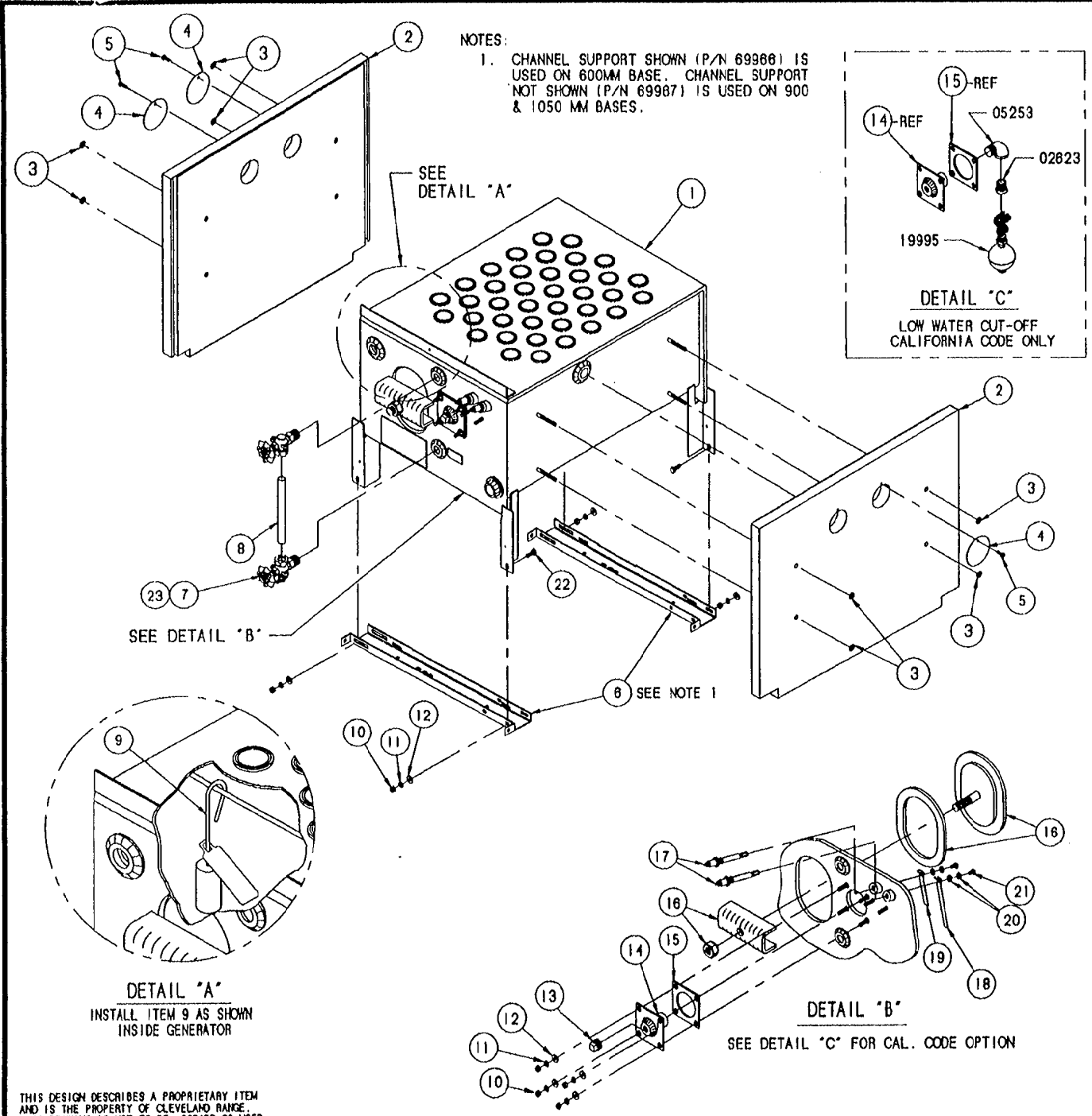
THIS DESIGN DESCRIBES A PROPRIETARY ITEM AND IS THE PROPERTY OF CLEVELAND RANGE. THIS DRAWING IS NOT TO BE COPIED OR USED WITHOUT THE APPROVAL OF CLEVELAND RANGE.



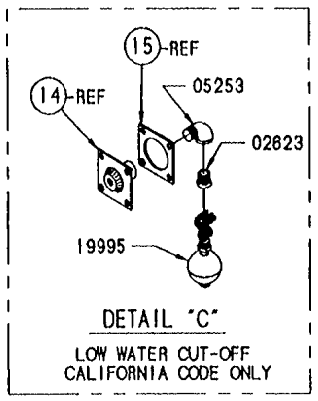
ITEM	QTY.	PART NO.	DESCRIPTION
11	2	14892	NUT, HEX LOCK ELASTIC, 10-24 ZINC PL
10	1	102535	BRACKET, MAGNET MOUNT
9	2	14665	NUT, HEX LOCK ELASTIC, 1/4-20, S/S
8	2	23118	WASHER, FLAT, 1/4 ID X 5/8 OD X .08
7	1	105518	BOX, SWITCH PROTECTION
6	1	15018	LABEL, POWER, CONSOLE SWITCH
5	1	19993	SWITCH, ROCKER, DPDT, ON-OFF, 6 AMP
4	1	15019	LABEL, STEAM-CONSOLE SWITCH
3	1	19994	SWITCH, ROCKER, SPST, 15 AMP
2	1	07168	GAUGE, PRESSURE, BACK MOUNT, 10 PSI
1	1	1041545	CONSOLE STUD ASSY, 1050 MM 2 SWITCH

TOLERANCES (EXCEPT AS NOTED)		CLEVELAND RANGE INC. 1333 East 179th St. Cleveland, Ohio 44110-2574		
DECIMAL ± N/A	SCALE 3/8	DRAWN BY E. GRIVEAS	APPROVED BY MLT	
ANGULAR ± 1°	TITLE CONSOLE ASSY, 1050 MM. 2 SWITCH CONTROL			
CK	DATE 08-17-93	DRAWING NO. C - 1048075	REV -	

THIS DESIGN DESCRIBES A PROPRIETARY ITEM AND IS THE PROPERTY OF CLEVELAND RANGE. THIS DRAWING IS NOT TO BE COPIED OR USED WITHOUT THE APPROVAL OF CLEVELAND RANGE.



NOTES:
 1. CHANNEL SUPPORT SHOWN (P/N 69986) IS USED ON 600MM BASE. CHANNEL SUPPORT NOT SHOWN (P/N 69987) IS USED ON 900 & 1050 MM BASES.



23	A/R	00934	SEALANT, RECTORSAL
22	4	19288	SCREW, HEX HEAD, 1/4-20 X 3/4
21	2	19218	SCREW, HEX HEAD, 1/4-20 X 3/8 S/S
20	4	23151	WASHER, INTERNAL TOOTH LOCK, 1/4
19	1	82452	EXTENSION, WATER PROBE 1/2 X 3-1/8
18	1	82453	EXTENSION, WATER PROBE, 1/2 X 4-5/8
17	2	18871	PROBE WARRICK, 4-5/16" LG
16	1	40421	HAND HOLE PLATE & BAR ASSM
15	1	07128	GASKET, HEATER
14	1	41943	PLATE, MOUNTING
13	1	18802	PLUG, SQUARE 1/2 PIPE, BLACK
12	8	23118	WASHER, FLAT, 1/4 S/S
11	8	23105	WASHER, SPLIT LOCK, 1/4 S/S
10	8	14818	NUT, HEX, 1/4 - 20 S/S
9	1	43895	ANODE ASSM CORROSION PREVENTATIVE
8	1	07302	GAUGE, WATER, 5/8 X 8, GLASS
7	1	07176	GAUGE, FITTINGS, WATER, 1/2"
6	-	89988	SUPPORT, GEN. MTG. CHANNEL 600MM S/S
6	-	89987	SUPPORT, GEN MTG CHANNEL 900/1050MM
5	3	19148	SCREW, HEX WASH HD. #10 X 1/2
4	3	105539	DISK, HOLE COVER, SIDE INSL. PANEL
3	8	14283	FASTENER, PUSHNUT, 1/4" STUD DIA.
2	-	1009802	PANEL, INSULATION ASM, RT/LT LP
2	-	100980	PANEL, INSULATION ASM, RT/LT NAT GAS
1	1	407241	GENERATOR ASSY, GAS-WELDMENT
NO.	QTY.	PART NO.	DESCRIPTION

DETAIL "A"
 INSTALL ITEM 9 AS SHOWN
 INSIDE GENERATOR

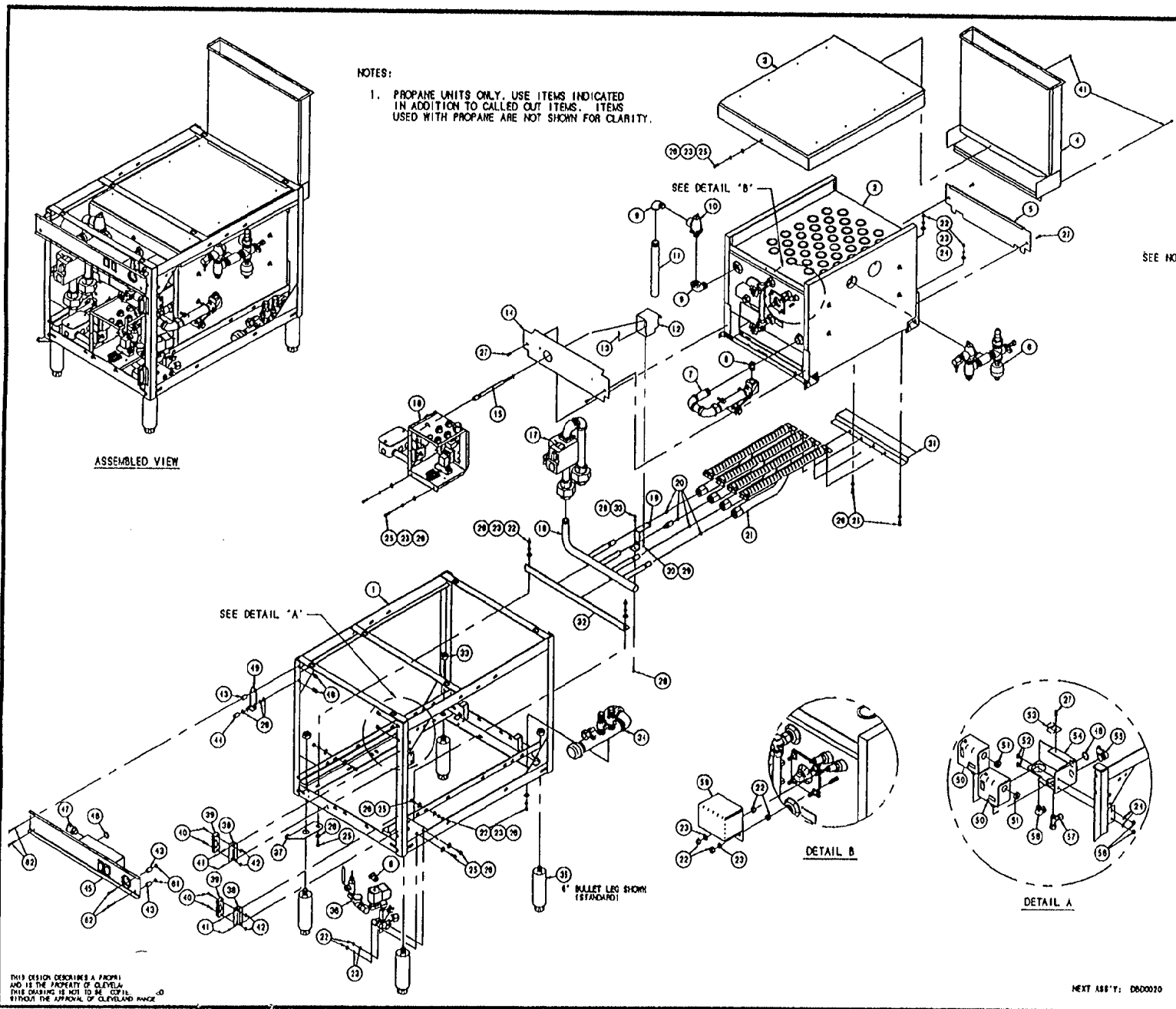
DETAIL "B"
 SEE DETAIL "C" FOR CAL. CODE OPTION

THIS DESIGN DESCRIBES A PROPRIETARY ITEM AND IS THE PROPERTY OF CLEVELAND RANGE. THIS DRAWING IS NOT TO BE COPIED OR USED WITHOUT THE APPROVAL OF CLEVELAND RANGE.

TOLERANCES (EXCEPT AS NOTED)	CLEVELAND RANGE INC. 1333 East 179th St., Cleveland, Ohio 44110-2374		
DECIMAL ± N/A	SCALE 3/16	DRAWN BY GRIVEAS	APPROVED BY MLT
ANGULAR ± N/A	TITLE GAS GENERATOR ASSEMBLY 3/4 BURNER, W/ REFERENCE PARTS		
DATE 08-11-93	DRAWING NO. C-407241WP	REV. -	

LET.	REVISIONS	DATE	BY
A	ADDED P/N 10044, P/N 20116 BAS	25-20-91/EC	
-	QTY(23), P/N (20199) SEE 1-101		
-	P/N E.O. 12-2013		

NOTES:
 1. PROPANE UNITS ONLY. USE ITEMS INDICATED IN ADDITION TO CALLED OUT ITEMS. ITEMS USED WITH PROPANE ARE NOT SHOWN FOR CLARITY.



SEE NOTE 1

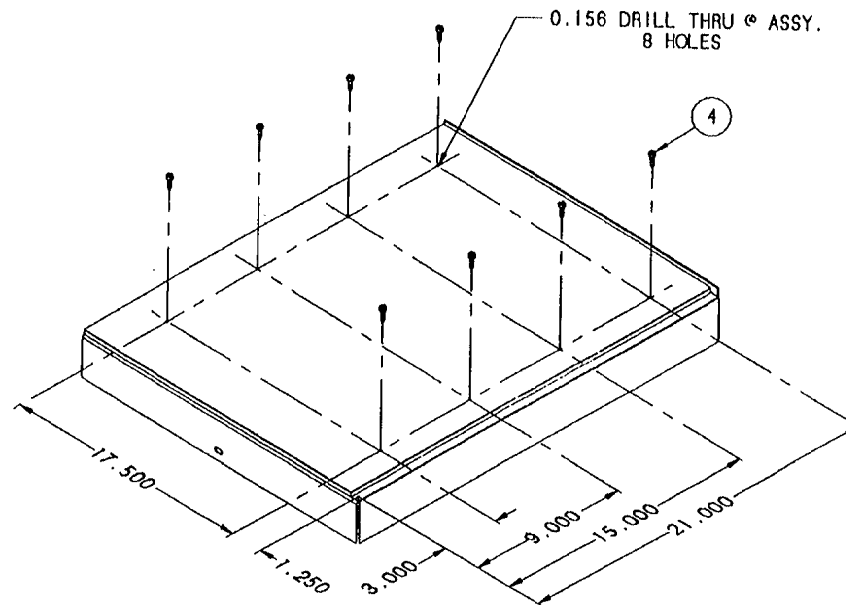
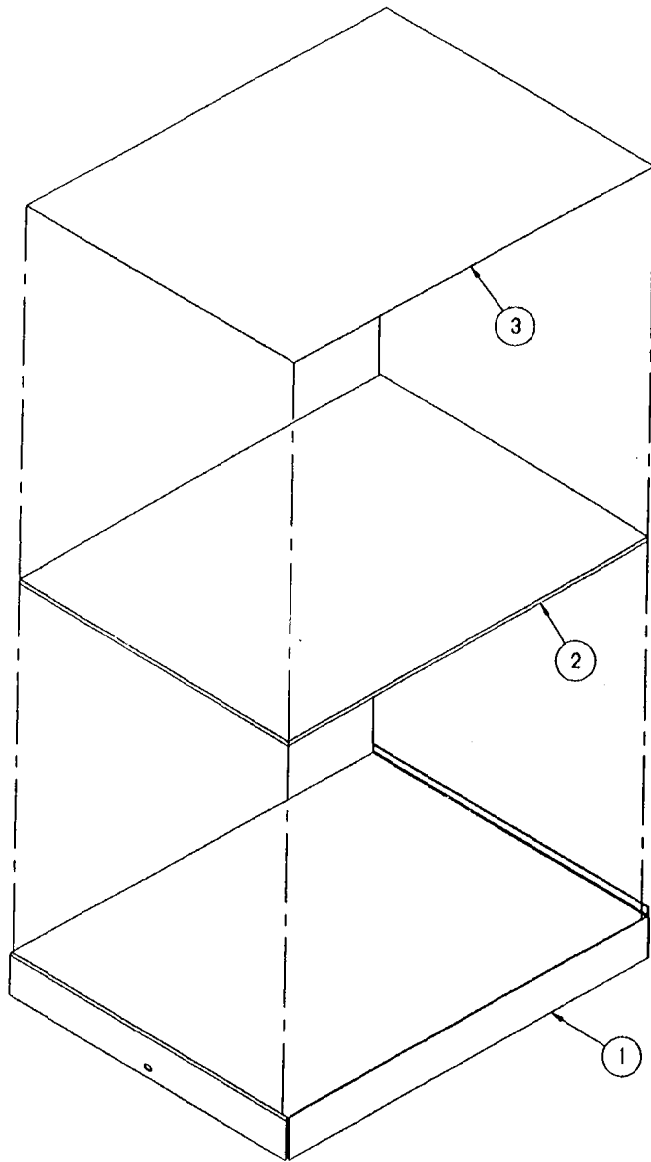
QTY	P/N	DESCRIPTION	
42	4	10044	SCREEN, WASH TO, TRIP, 10-21 X 1 1/2
43	1	13312	SPACER, 1/2\"/>

CLEVELAND RANGE INC.			
1333 East 179th St., Cleveland, Ohio 44110-2014			
DESIGN	SCALE	DRAWN BY	APPROVED BY
M/J/A	5/32=1	E	
TITLE	BASE ASSC	MATOR.	
M/J/A	800 MM.	BTU	
DATE	DRAWING NO.	REV.	
12-2-91	D - 01-0004		

THIS DESIGN DESCRIBES A PROPANE AND IS THE PROPERTY OF CLEVELAND RANGE INC. THIS DRAWING IS NOT TO BE COPIED WITHOUT THE APPROVAL OF CLEVELAND RANGE INC.

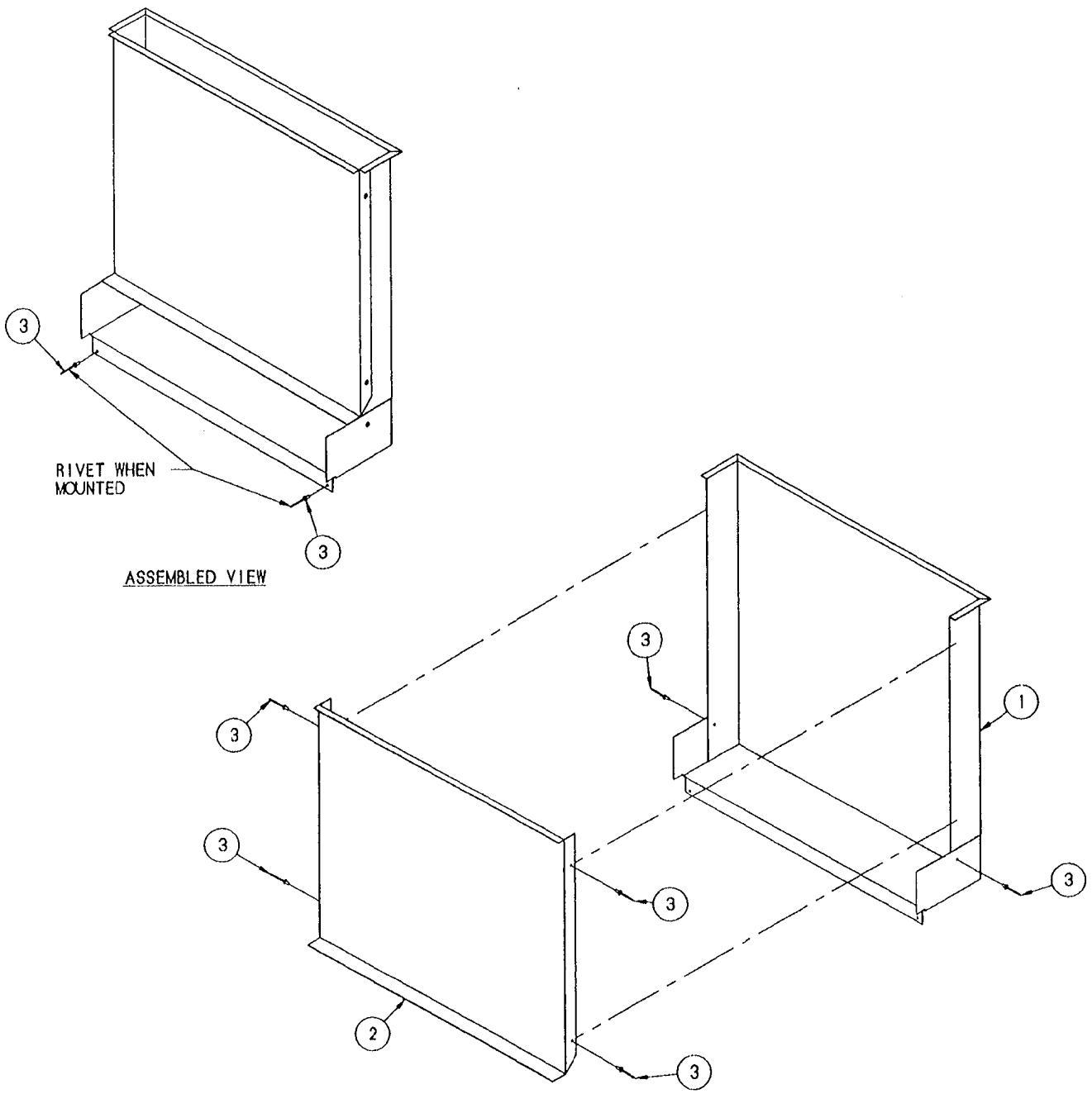
NEXT ASSY: 0600020

LET.	REVISIONS	DATE	BY
A	ITEM 4, WAS P/N 19287 E.O. C-1590	7-7-89	DP
B	REDRAWN & UPDATED PER B.O.M.	2-07-94	EAG
	E.O. # C-2558		



THIS DESIGN DESCRIBES A PROPRIETARY ITEM AND IS THE PROPERTY OF CLEVELAND RANGE. THIS DRAWING IS NOT TO BE COPIED OR USED WITHOUT THE APPROVAL OF CLEVELAND RANGE.

4	8	19115	SCREW, HEX HEAD WASHER
3	1	101117	PANEL, INSULATION, 3/4 BURNER
2	1	101118	INSULATION, 3 & 4 BURNER
1	1	100977	COLLECTOR, TOP FLUE, SM GAS
ITEM	QTY.	PART NO.	DESCRIPTION
TOLERANCES <small>(UNLESS OTHERWISE SPECIFIED)</small> DECIMAL: 1/4 = 1 ANGULAR: 1/4 = 1			
CLEVELAND RANGE INC. <small>1333 East 179th St. Cleveland, Ohio 44110-2974</small>			
SCALE: 1/4"=1		DRAWN BY: W. ERBEZHNIK	APPROVED BY:
TITLE COLLECTOR ASSM, TOP FLUE SMALL GAS			
CK	DATE: 5-14-87	DRAWING NO.: C - 100981	REV. 8



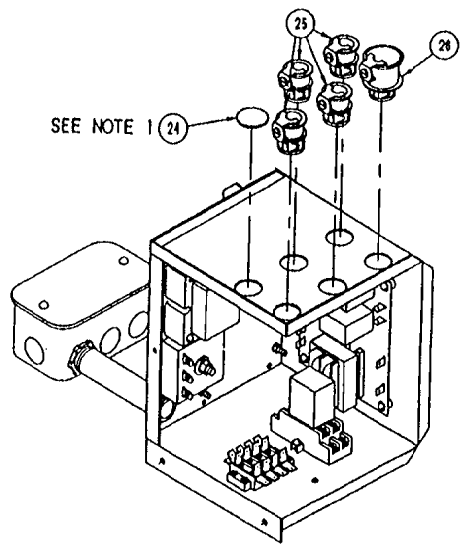
THIS DESIGN DESCRIBES A PROPRIETARY ITEM AND IS THE PROPERTY OF CLEVELAND RANGE. THIS DRAWING IS NOT TO BE COPIED OR USED

3	8	18357	RIVET, FLUSH BREAK, 1/8" DIA
2	1	101131	PANEL, FRONT, INT FLUE RISER
1	1	101132	PANEL, REAR, INT. FLUE RISER
ITEM	QTY	PART NO.	DESCRIPTION
CLEVELAND RANGE INC. 1339 East 179th St. Cleveland, Ohio 44110-2974			
DECIMAL	SCALE	DRAWN BY	APPROVED BY
± N/A	1/4±1	E. GRIVY	
ANGULAR	TITLE	INTERNAL	
± N/A	FLUE RISER AS	3/4 BURN.	
DATE	DRAWING NO.	REV.	
11.00.00	C - 101130		

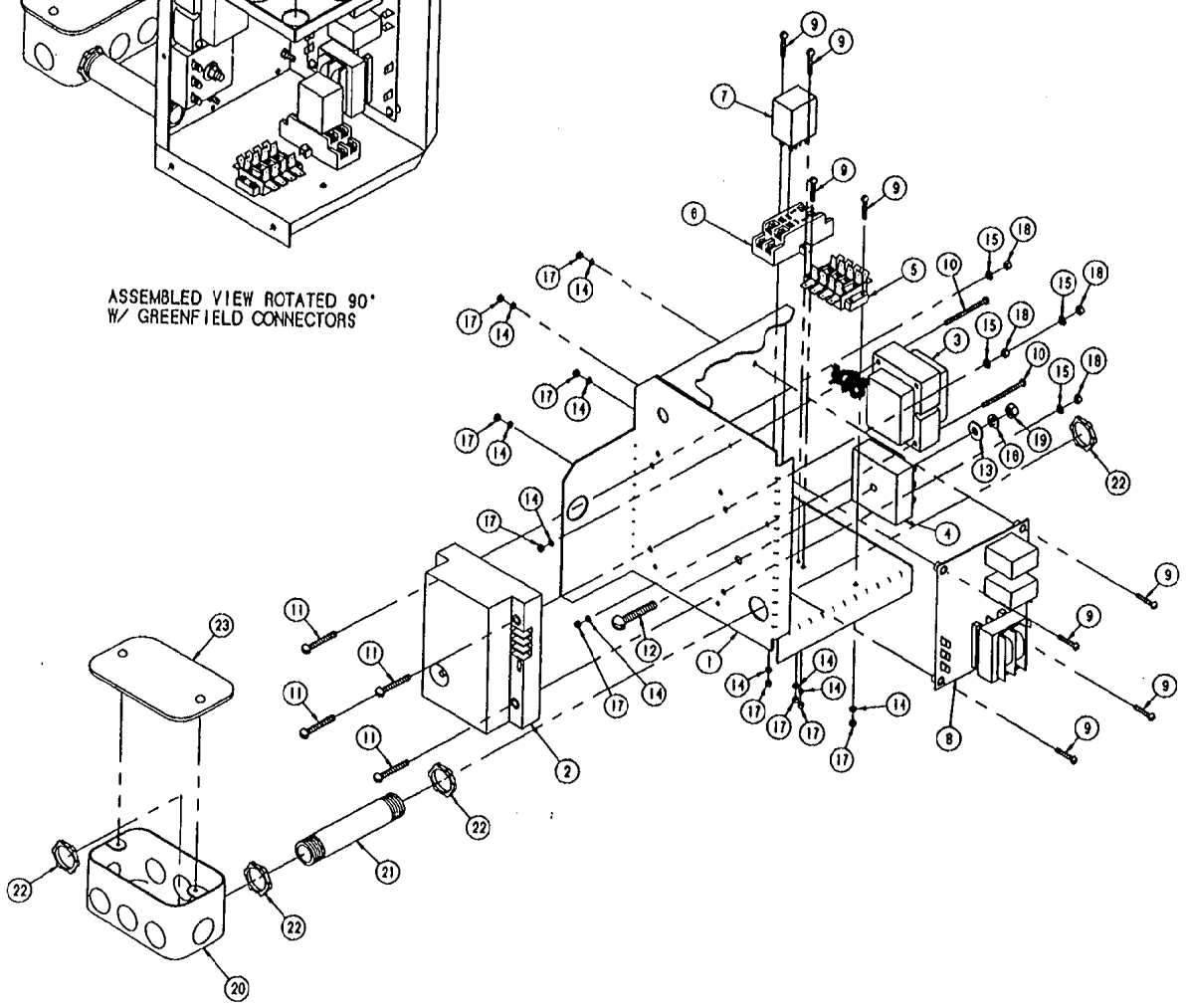
LET.	REVISIONS	DATE	BY

NOTES:
 1. REMOVE P/N 19329 WHEN CAL. CODE / LWCO IS USED (SEE B.O.M. FOR APPROPRIATE CONNECTOR).

SEE NOTE 1



ASSEMBLED VIEW ROTATED 90°
 W/ GREENFIELD CONNECTORS



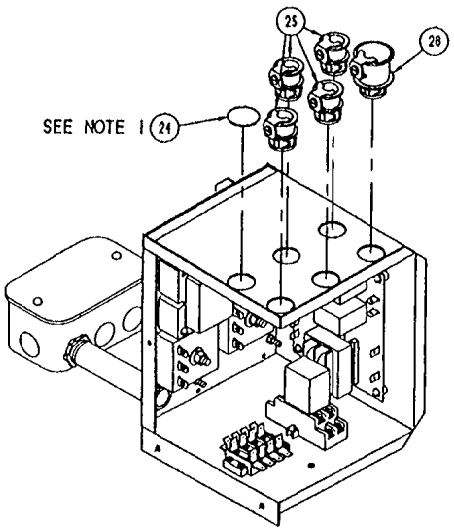
ITEM	QTY.	PART NO.	DESCRIPTION
20	1	105248	CONNECTOR, GREENFIELD, 1/2" SHAPPTITE
25	4	105243	CONNECTOR, GREENFIELD, 3/8" SHAPPTITE
24	1	19329	PLUG, SNAP-IN, 1/2" FOR 7/8" HOLE
23	1	02388	COVER, HAND-BOX
22	4	14614	NUT, LOCK, 1/2", ELECTRICAL
21	1	14334	NIPPLE, 1/2" x 4", BLACK
20	1	02381	BOX, HAND-BOX, ELECTRICAL
19	1	14618	NUT, HEX, 1/4"-20, S/S, FULL FINISH
18	4	14598	NUT, HEX, 8-32, ZINC PLATED
17	10	14674	NUT, HEX, 6-32, ZINC PLATED
16	1	23105	WASHER, SPLIT LOCK, 1/4", S/S
15	4	101337	WASHER, INTERNAL TOOTH LOCK, #8
14	10	23111	WASHER, INTERNAL TOOTH LOCK, #6
13	1	23116	WASHER, FLAT, 1/4" ID x .065" THK
12	1	19285	SCREW, ROUND HEAD, 1/4"-20 x 1.5", S/S
11	8	19150	SCREW, ROUND HEAD SLOTTED, 8-32 x 1.25"
10	4	19149	SCREW, ROUND HEAD SLOTTED, 6-32 x 1.75"
9	2	19163	SCREW, ROUND HEAD SLOTTED, 6-32 x .75"
8	1	23198	CONTROL, WATER LEVEL
7	1	03524	RELAY, 120 V, 30/60Hz, AC, DPDT
6	1	03525	SOCKET, RELAY
5	1	44164	TERMINAL BLOCK ASM. - 4 POLE, GAS UNITS
4	1	20478	TIMER, SOLID STATE INTERVAL, 3 MINUTE
3	1	20258	TRANSFORMER - SPARK IGNITION SUPPLY
2	1	03546	CONTROL, MODULE, DIRECT SPARK IGNITION
1	1	44139	BOX, WELDMENT, ELECTRIC FOR GAS, 2 PROBE

THIS DESIGN DESCRIBES A PROPRIETARY ITEM AND IS THE PROPERTY OF CLEVELAND RANGE. THIS DRAWING IS NOT TO BE COPIED OR USED WITHOUT THE APPROVAL OF CLEVELAND RANGE.

TOLERANCES (UNLESS AS SHOWN)			
DECIMAL	SCALE	DRAWN BY	APPROVED BY
+ N/A	3/8"=1	E. GRIVEAS	
FRACTIONAL	TITLE	BOX, ELECTRIC ASSEMBLY GAS - 2 PROBE	
+ N/A			
DATE	DRAWING NO.	REV.	
2-15-94	C - 10092901	-	

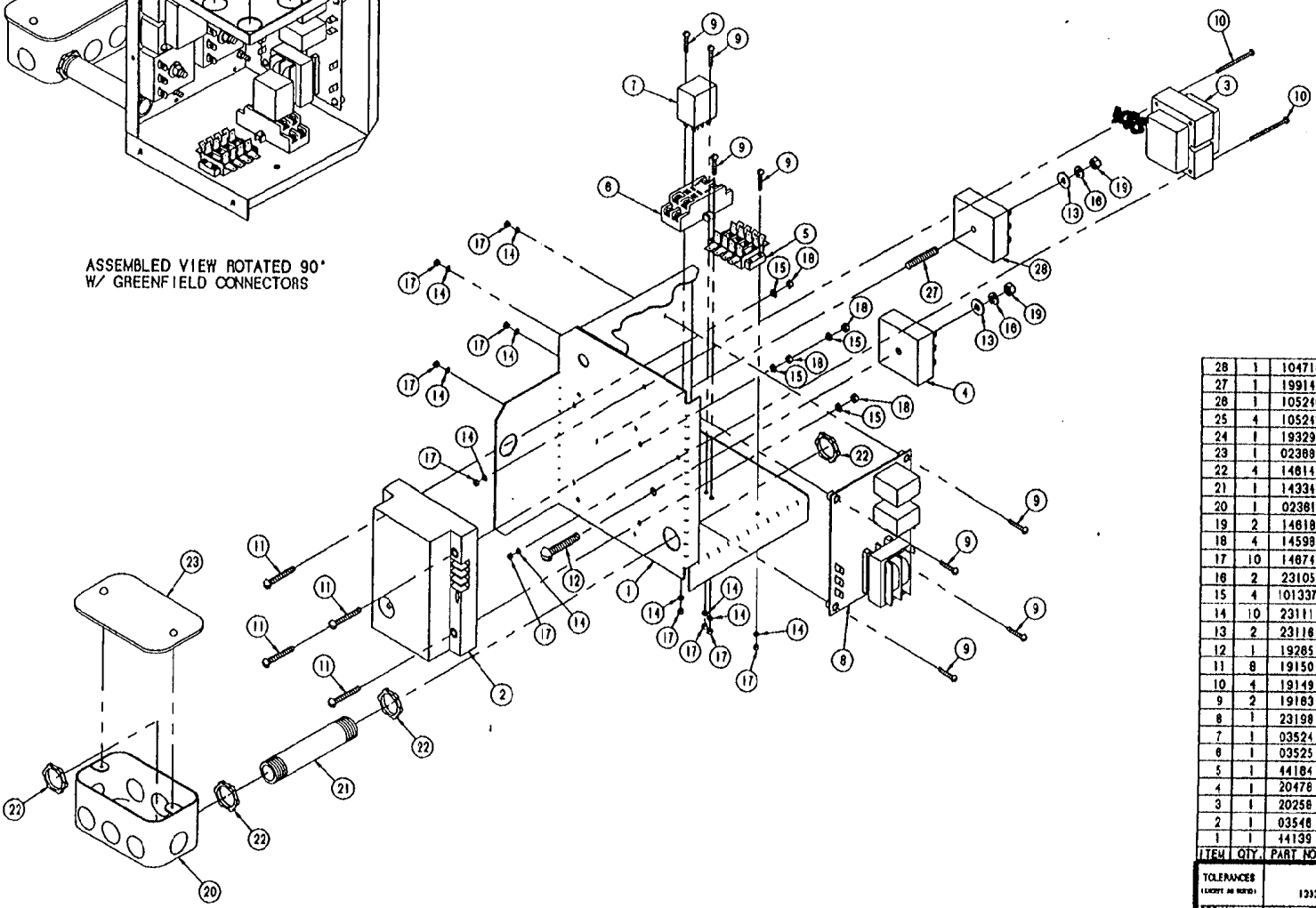
LET.	REVISIONS	DATE	BY

NOTES:
 1. REMOVE P/N 19329 WHEN CAL. CODE / LKOO IS USED (SEE B.O.M. FOR APPROPRIATE CONNECTOR).



SEE NOTE 1

ASSEMBLED VIEW ROTATED 90°
 W/ GREENFIELD CONNECTORS

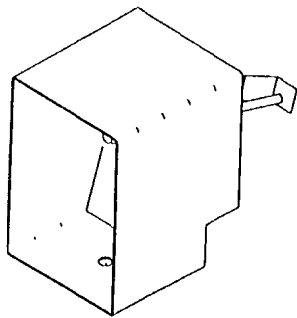


ITEM	QTY	PART NO.	DESCRIPTION
28	1	104716	TIMER, RECYCLING, GENERATOR W/BLOWDOWN
27	1	19914	STUD, WELD, STYLE F, 1/4-20 X 1-1/2, S/S
28	1	105246	CONNECTOR, GREENFIELD, 1/2" SHAP-TITE
25	4	105243	CONNECTOR, GREENFIELD, 3/8" SHAP-TITE
24	1	19329	PLUG, SNAP-IN, 1/2" FOR 7/8" HOLE
23	1	02388	COVER, HANDI-BOX
22	4	14814	NUT, LOCK, 1/2", ELECTRICAL
21	1	14334	NIPPLE, 1/2" x 4", BLACK
20	1	02381	BOX, HANDI-BOX, ELECTRICAL
19	2	14818	NUT, HEX, 1/4-20, S/S, FULL FINISH
18	4	14599	NUT, HEX, #32, ZINC PLATED
17	10	14874	NUT, HEX, #32, ZINC PLATED
16	2	23105	WASHER, SPLIT LOCK, 1/4", S/S
15	4	101337	WASHER, INTERNAL TOOTH LOCK, #8
14	10	23111	WASHER, INTERNAL TOOTH LOCK, #8
13	2	23116	WASHER, FLAT, 1/4" ID x .085" THK
12	1	19285	SCREW, ROUND HEAD, 1/4-20 x 1.5", S/S
11	8	19150	SCREW, ROUND HEAD SLOTTED, #32 x 1.25"
10	4	19149	SCREW, ROUND HEAD SLOTTED, #32 x 1.75"
9	2	19183	SCREW, ROUND HEAD SLOTTED, #32 x .75"
8	1	23198	CONTROL, WATER LEVEL
7	1	03524	RELAY, 120 V, 50/60Hz, AC, DPDT
6	1	03525	SOCKET, RELAY
5	1	44184	TERMINAL BLOCK ASM. - 4 POLE, GAS UNITS
4	1	20478	TIMER, SOLID STATE INTERVAL, 3 MINUTE
3	1	20258	TRANSFORMER - SPARK IGNITION SUPPLY
2	1	03548	CONTROL, MODULE, DIRECT SPARK IGNITION
1	1	44139	BOX, WELDMOUNT, ELECTRIC FOR GAS, 2 PROBE

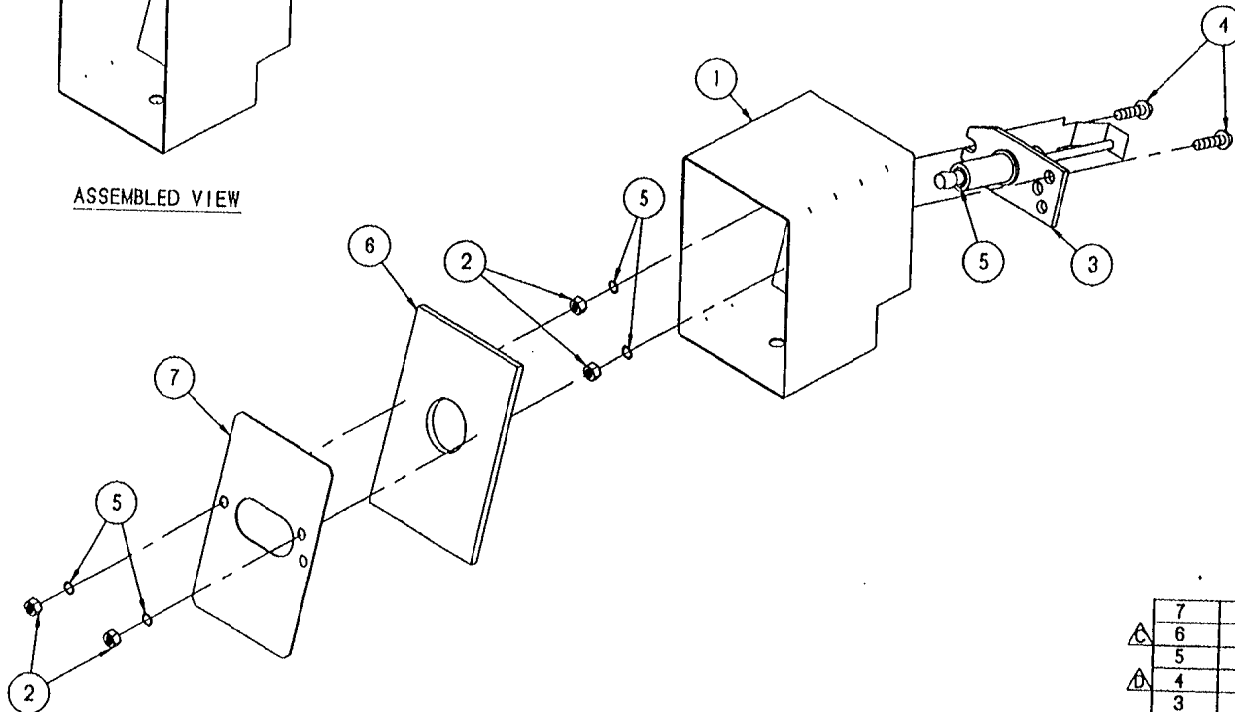
THIS DESIGN IS A PROPRIETARY ITEM AND IS THE PROPERTY OF CLEVELAND RANGE. THIS DRAWING IS TO BE COPIED OR USED WITHOUT THE APPROVAL OF CLEVELAND RANGE.

TOLERANCES (EXCEPT AS NOTED)			
DECIMAL	3/16"	DRAWN BY	E. GRIVEAS
ANGULAR	N/A	TITLE	BOX, ELECTRIC, AS W/INTERMITTENT BLOWDOWN, 2 PROBE
DATE	2-15-94	DRAWING NO.	C - 10092902

CLEVELAND RANGE INC.
 1333 East 175th St., Cleveland, Ohio 44110-2174



ASSEMBLED VIEW



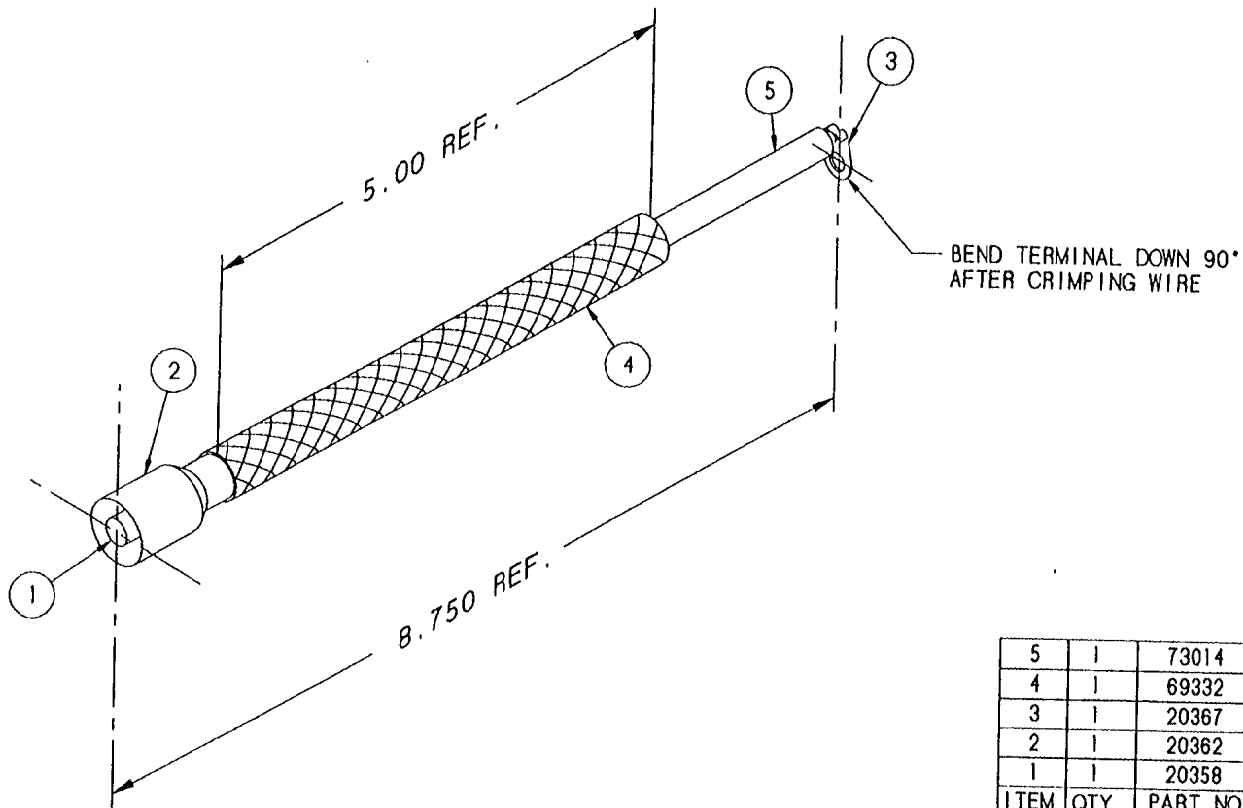
LET.	REVISIONS	DATE	BY
A	WAS C-44097	1-24-84	NEAL
B	ITEM 1 WAS C-52823, ECN 1054	3-6-86	DP
C	ADD P/N B-100314 FOR ITEM 6	3-12-86	DP
D	REDRAW WAS C SIZE, P/N 19163 WAS 19259, E.O. # C-2558	2-7-94	EAG

ITEM	QTY.	PART NO.	DESCRIPTION
7	1	88149	RETAINER, INSULATION
6	1	100314	INSULATION, IGNITOR BOX
5	5	23111	WASHER, LOCK, INTERNAL TOOTH, #6
4	2	19163	SCREW, #8-32 x .75" LG.
3	1	05101	ELECTRODE, COMBINATION IGNITOR/SENSOR
2	4	14674	NUT, #8-32, HEX
1	1	52808	BOX, IGNITOR, GEN. GAS, 2 PROBE

TOLERANCES (EXCEPT AS NOTED)		CLEVELAND RANGE INC. 1333 East 179th St. Cleveland, Ohio 44110-2574	
DECIMAL ± N/A	SCALE 5/8=1	DRAWN BY E. LAWRENCE	APPROVED BY E. HENDESS
ANGULAR ± N/A	TITLE BOX ASM, IGNITOR		
CK	DATE 12-6-94	DRAWING NO. B - 44096	REV. D

THIS DESIGN DESCRIBES A PROPRIETARY ITEM AND IS THE PROPERTY OF CLEVELAND RANGE. THIS DRAWING IS NOT TO BE COPIED OR USED WITHOUT THE APPROVAL OF CLEVELAND RANGE.

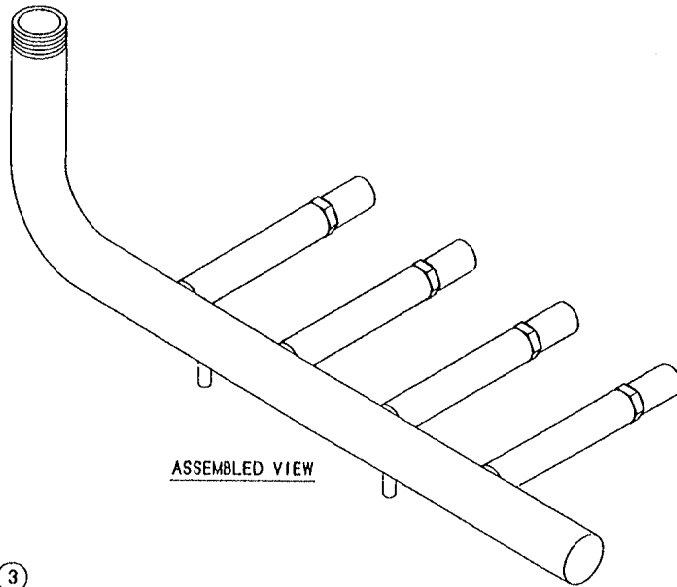
LET.	REVISIONS	DATE	BY
------	-----------	------	----



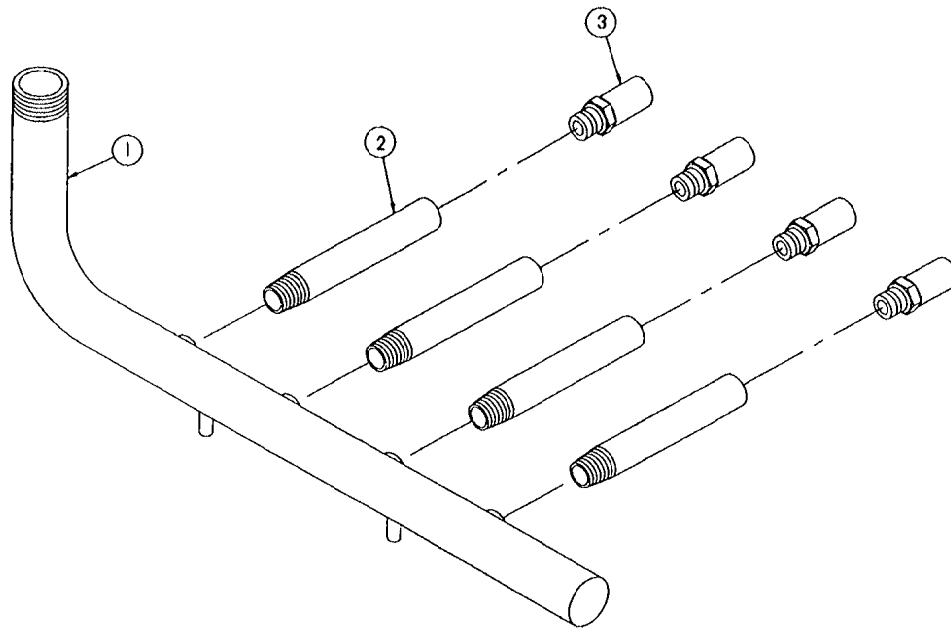
ITEM	QTY.	PART NO.	DESCRIPTION
5	1	73014	WIRE, RADIX, 9" LONG
4	1	69332	SLEEVE, FIBERGLASS 5" INSULATING
3	1	20367	TERMINAL RING-#6, NON-INSULATED
2	1	20362	INSULATOR, RED SILICONE
1	1	20358	TERMINAL, IGNITION CABLE

TOLERANCES (EXCEPT AS NOTED)		CLEVELAND RANGE INC. 1333 East 179th St. Cleveland, Ohio 44110-2574	
DECIMAL ± N/A	SCALE 1=1	DRAWN BY E. GRIVEAS	APPROVED BY
ANGULAR ± N/A	TITLE CABLE, IGNITION ASSEMBLY		
CK	DATE 11-09-93	DRAWING NO. B 1169	REV. -

THIS DESIGN DESCRIBES A PROPRIETARY ITEM AND IS THE PROPERTY OF CLEVELAND RANGE. THIS DRAWING IS NOT TO BE COPIED OR USED WITHOUT THE APPROVAL OF CLEVELAND RANGE.



ASSEMBLED VIEW

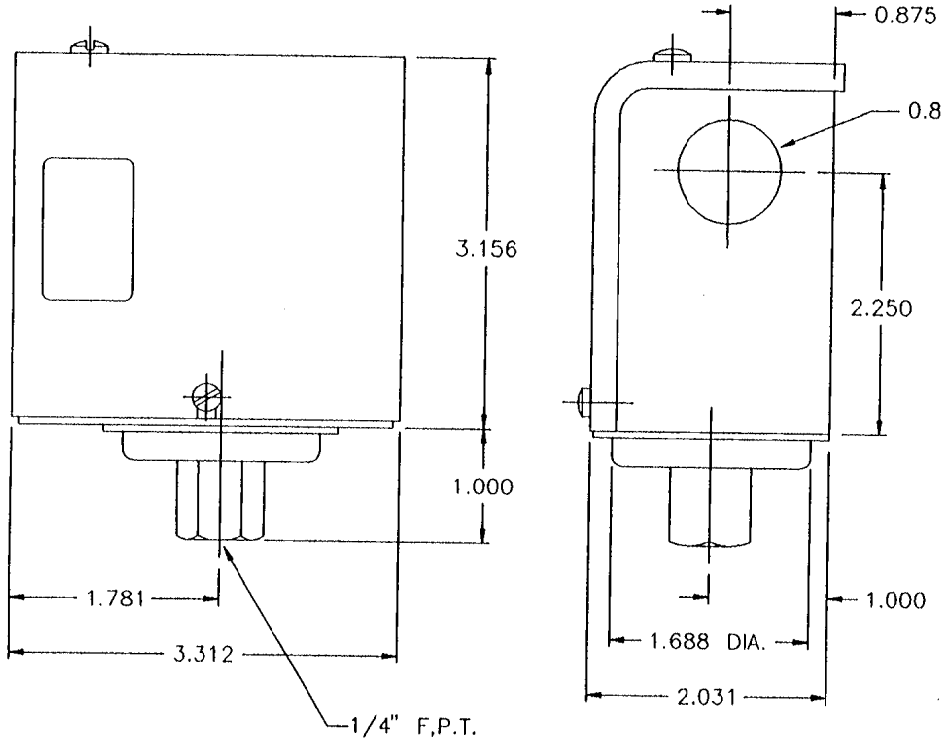


3	4	19832	SPUDS, ORIFICE HOLDER, 5/8"
2	4	83180	EXTENSION, GAS MANIFOLD
1	1	83177	MANIFOLD, TUBE, 4 BURNER, GAS
ITEM	QTY.	PART NO.	DESCRIPTION

CLEVELAND RANGE INC. 1333 East 178th St., Cleveland, Ohio 44110-2374			
TOLERANCES (EXCEPT AS NOTED)	SCALE 5/8"=1	DRAWN BY E. GRIVEAS	APPROVED BY
DECIMAL ± N/A	ANGULAR ± N/A	TITLE MANIFOLD, ASSM, R/B 4 BURNER, GAS, 200 KBTU	
CK	DATE 11-10-93	DRAWING NO. C - 40920	REV. -

THIS DESIGN DESCRIBES A PROPRIETARY ITEM AND IS THE PROPERTY OF CLEVELAND RANGE. THIS DRAWING IS NOT TO BE COPIED OR USED WITHOUT THE APPROVAL OF CLEVELAND RANGE.

LET.	REVISIONS	DATE	BY
A	REVISED ADJ. OPERATING RANGE SPEC.	11-28-84	RMC
-	WAS: 0.5 TO 9 PSI,	-	-
B	WAS: ADDITIVE DIFFERENTIAL	07-07-86	TS
C	WAS: ADJ. DIFFERENTIAL: 1 TO 5 PSI, E.O. #C-2276	07-31-92	DJP
D	MODEL NO. WAS PA404A (SUBTRACTIVE DIFFERENTIAL)	10-13-92	NLT
	E.O. #2276R1		



SPECIFICATIONS:

PRESSURE ACTUATED HIGH LIMIT SAFETY CONTROL FOR STEAM HEATING BOILERS.
 BREAKS AN ELECTRICAL CIRCUIT ON PRESSURE RISES.
 MAX. OPERATING PRESSURE: 20 PSI
 MAX. AMBIENT TEMPERATURE: 150° F.
 ELECTRICAL RATING: 8.0 F.L.A. AT 120V. AC
 SWITCH: PRESSURE ACTUATED SPST, SNAP-ACTION
 ADJUSTMENT MEANS: OPERATING RANGE SET POINT-SCREW ON TOP OF CASE; DIFFERENTIAL SET POINT-DIAL INSIDE OF CASE.
 ADJUSTABLE OPERATING RANGE: 3 TO 15 PSI.
 ADJUSTABLE DIFFERENTIAL: 1 TO 5 PSI; FACTORY SET AT 1 PSI
 SWITCH ACTION ON PRESSURE FALL: MAKES AT SET POINT MINUS DIFFERENTIAL.
 SWITCH ACTION ON PRESSURE RISE: BREAKS AT SET POINT.
 MOUNTING MEANS: 1/4" FEMALE PIPE THREADS

Ⓐ
 Ⓑ
 Ⓒ

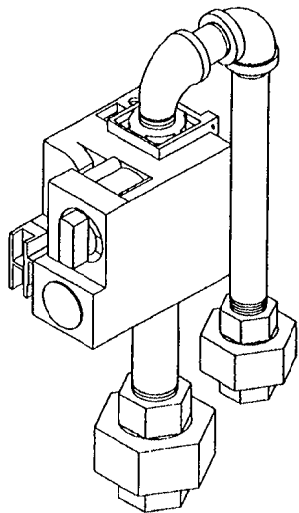
APPROVED SOURCE

- HONEYWELL
 MODEL NO. PA404A-1066 Ⓓ
 U.L. FILE NO. MP466
 C.S.A. FILE NO. LR1620

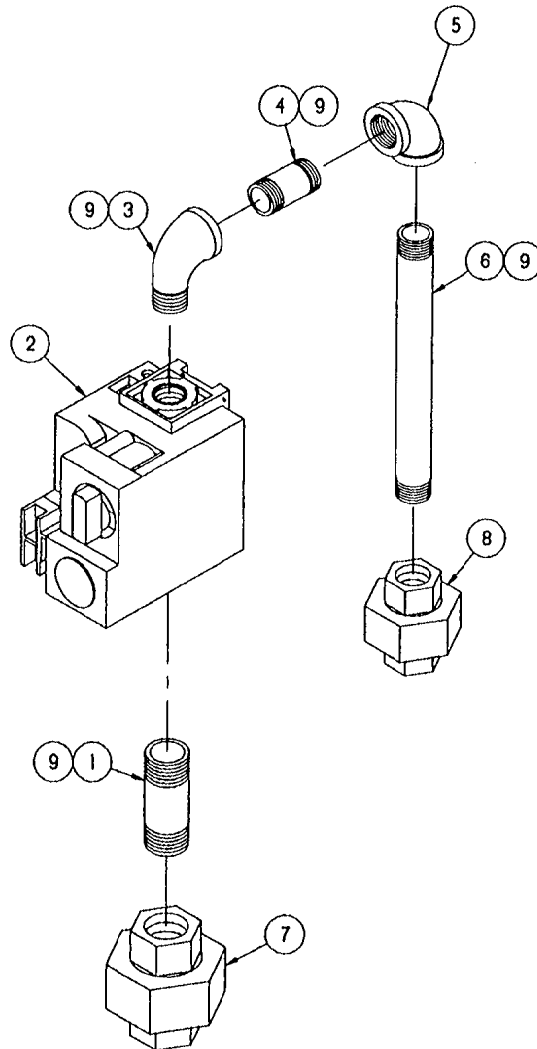
THIS DESIGN IS A PROPRIETARY ITEM AND IS THE PROPERTY OF CLEVELAND RANGE. THIS DRAWING IS NOT TO BE COPIED OR USED WITHOUT THE APPROVAL OF CLEVELAND RANGE.

ITEM	QTY	PART NO.	DESCRIPTION
TOLERANCES (EXCEPT AS NOTED)		CLEVELAND RANGE INC. 1333 East 179th St. Cleveland, Ohio 44110-2574	
DECIMAL ± -	SCALE 1=1	DRAWN BY RJB	APPROVED BY
ANGULAR ± 1°	TITLE CONTROL, PRESSURE		
AC	DATE 09-08-76	DRAWING NO. B-19947	REV n

LET.	REVISIONS	DATE	BY
------	-----------	------	----



ASSEMBLED VIEW



ITEM	QTY.	PART NO.	DESCRIPTION
9	A/R	00934	SEALANT, RECTORSEAL
8	1	21302	UNION, BLACK, 1/2"
7	1	21305	UNION, 3/4", BLACK
6	1	14340	NIPPLE, 1/2" x 7.5" LG., BLACK
5	1	05249	ELBOW, 1/2", 90°, BLACK
4	1	14325	NIPPLE, 1/2" x 1-1/2", BLACK
3	1	05252	ELBOW, STREET, 90°, 1/2"
2	1	22228	VALVE, GAS CONTROL, NATURAL GAS
1	1	14345	NIPPLE, 3/4" x 2-1/2", BLACK

TOLERANCES
(EXCEPT AS NOTED)

DECIMAL
± N/A
ANGULAR
± N/A

CLEVELAND RANGE INC.
1333 East 179th St. Cleveland, Ohio 44110-2574

SCALE 3/8=1
DRAWN BY E. GRIVEAS
APPROVED BY NLT

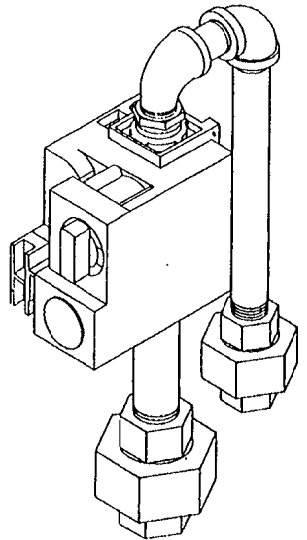
TITLE
VALVE ASSEMBLY,
NATURAL GAS- 100/200 BTU

DATE 11-08-93
DRAWING NO. B - 43663
REV. -

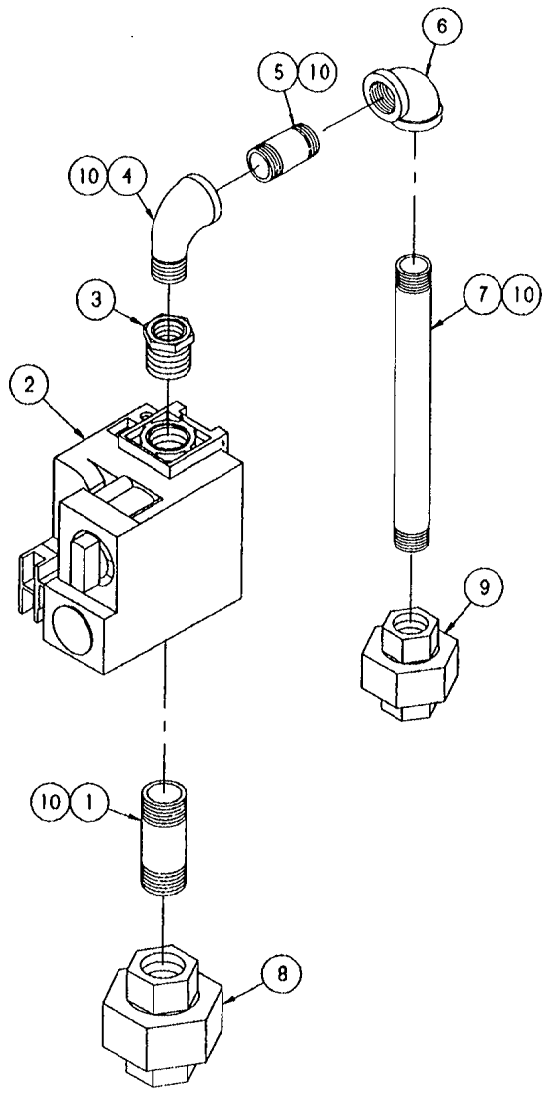
THIS DESIGN DESCRIBES A PROPRIETARY ITEM AND IS THE PROPERTY OF CLEVELAND RANGE. THIS DRAWING IS NOT TO BE COPIED OR USED WITHOUT THE APPROVAL OF CLEVELAND RANGE.

CK

LET.	REVISIONS	DATE	BY
------	-----------	------	----



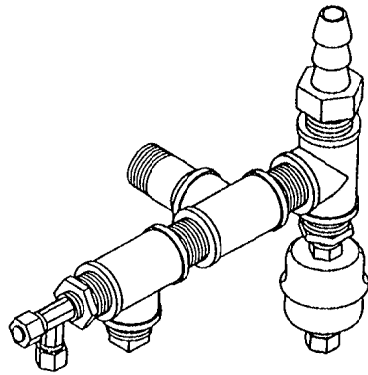
ASSEMBLED VIEW



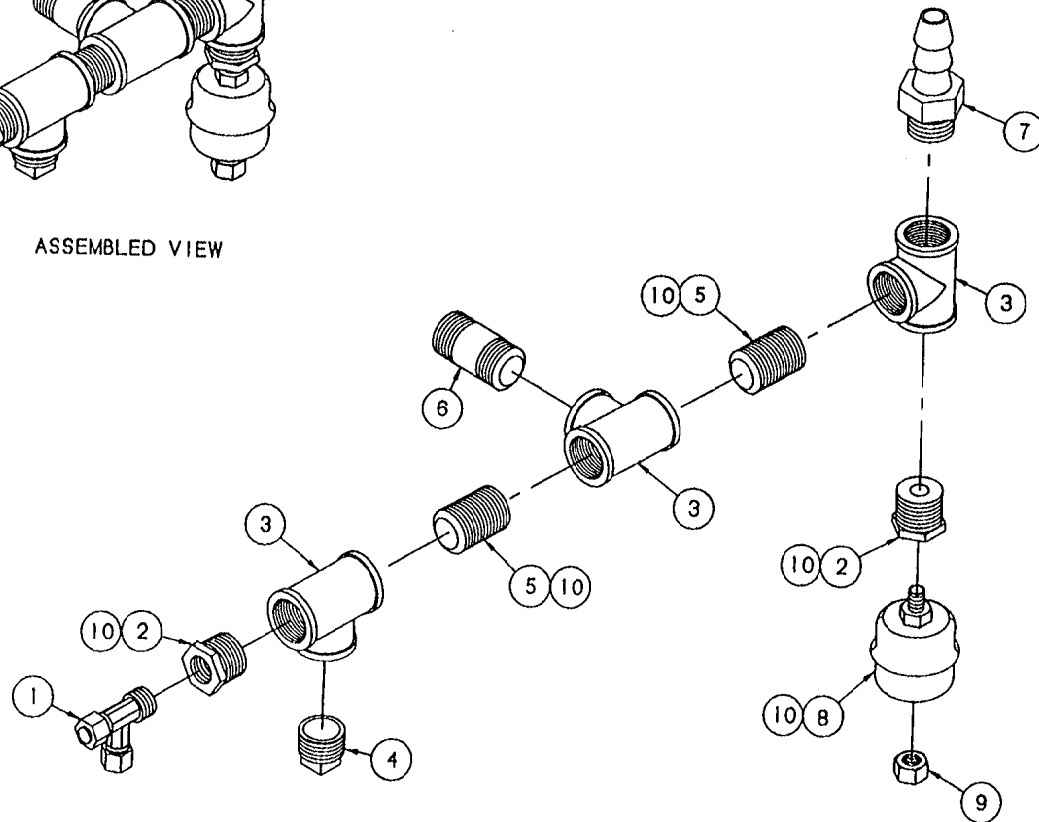
ITEM	QTY.	PART NO.	DESCRIPTION
10	A/R	00934	SEALANT, RECTORSEAL
9	1	21302	UNION, BLACK, 1/2"
8	1	21305	UNION, 3/4", BLACK
7	1	14340	NIPPLE, 1/2" x 7.5" LG., BLACK
6	1	05249	ELBOW, 1/2", 90°, BLACK
5	1	14325	NIPPLE, 1/2" x 1-1/2", BLACK
4	1	05252	ELBOW, STREET, 90°, 1/2", BLACK
3	1	02565	BUSHING, HEX, 3/4 X 1/2, BLACK
2	1	22231	VALVE, GAS CONTROL, FOR LP
1	1	14345	NIPPLE, 3/4" x 2-1/2", BLACK

TOLERANCES (EXCEPT AS NOTED)		CLEVELAND RANGE INC. 1333 East 179th St. Cleveland, Ohio 44110-2574	
DECIMAL ± N/A	SCALE 3/8=1	DRAWN BY E. GRIVEAS	APPROVED BY NLT
ANGULAR ± N/A	TITLE VALVE ASSEMBLY, LIQUID PROPANE 100/200 BTU		
CK	DATE 11-08-93	DRAWING NO. B - 436	REV. -

THIS DESIGN DESCRIBES A PROPRIETARY ITEM AND IS THE PROPERTY OF CLEVELAND RANGE. THIS DRAWING IS NOT TO BE COPIED OR USED WITHOUT THE WRITTEN APPROVAL OF CLEVELAND RANGE.



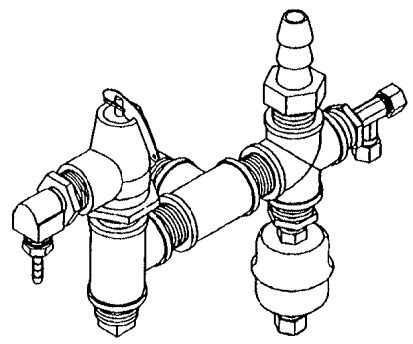
ASSEMBLED VIEW



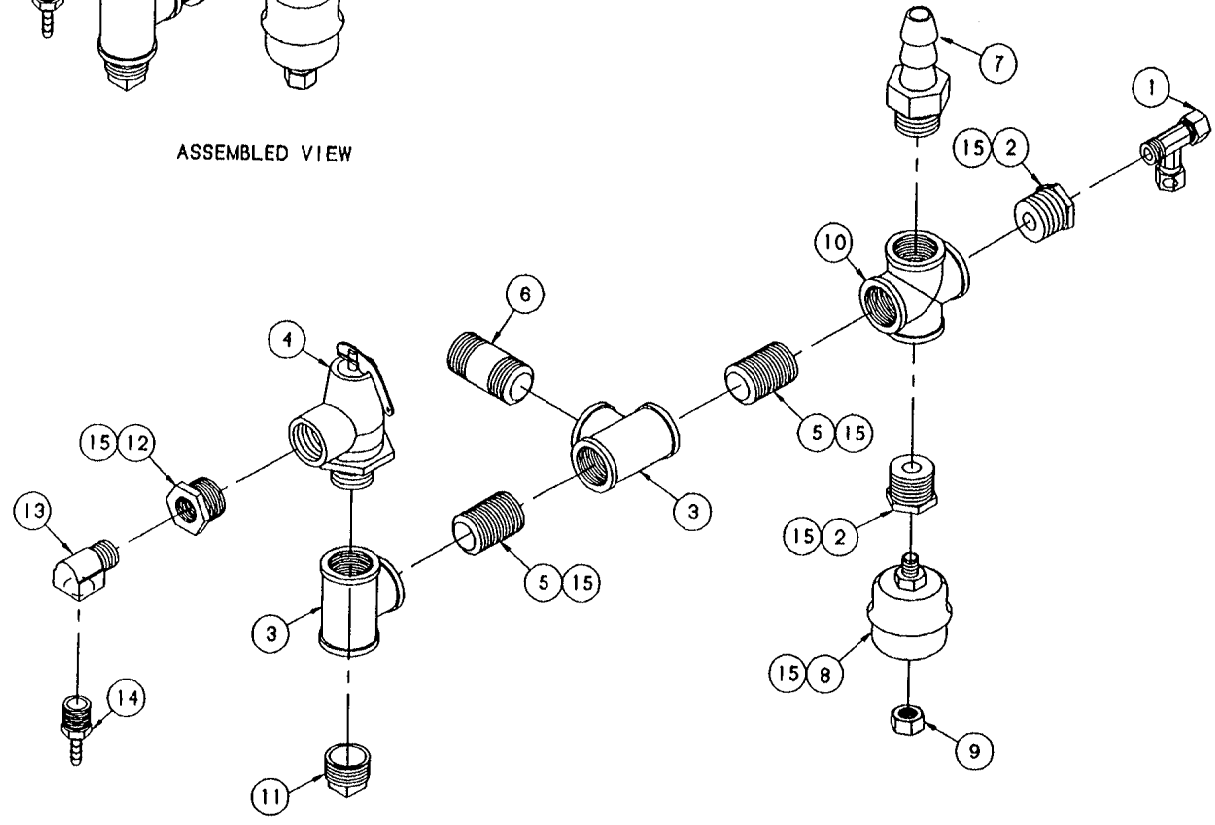
ITEM	QTY.	PART NO.	DESCRIPTION
10	A/R	00934	SEALANT, RECTORSEAL
9	1	14681	MUT, COMPRESSION, 1/4 TUBE, BRASS
8	1	101207	TRAP, THERMOSTATIC, 1/4" X 1/4"
7	1	06240	FITTING, HOSE BARB 3/4 HOSE X 3/4 MPT BRASS
6	1	14431	NIPPLE, 3/4 X 2, BRASS
5	2	14342	NIPPLE, 3/4 X CLOSE, BRASS
4	1	16807	PLUG, SQUARE HEAD, 3/4, BRASS
3	3	20208	TEE, 3/4 BRASS
2	2	02563	BUSHING, REDUCING, 3/4 X 1/4, BRASS
1	1	100883	FITTING, COMPR., TEE 3/8T X 3/8MPT X 3/8T

CLEVELAND RANGE INC. 1333 East 179th St. Cleveland, Ohio 44110-2574			
TOLERANCES (EXCEPT AS NOTED)	SCALE	DRAWN BY	APPROVED BY
DECIMAL ± N/A	1/2±1	E. GRIVEAS	MLT
ANGULAR ± N/A	TITLE		
	STEAM OUTLET ASSEMBLY REV. BEND GENERATOR (REV. 2)		
DATE	DRAWING NO.	REV.	
CK 10-07-93	C - 42R122		

THIS DESIGN DESCRIBES A PROPRIETARY ITEM AND IS THE PROPERTY OF CLEVELAND RANGE. THIS DRAWING IS NOT TO BE COPIED OR USED WITHOUT THE APPROVAL OF CLEVELAND RANGE.

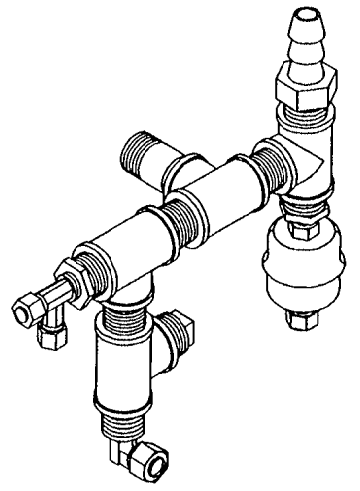


ASSEMBLED VIEW

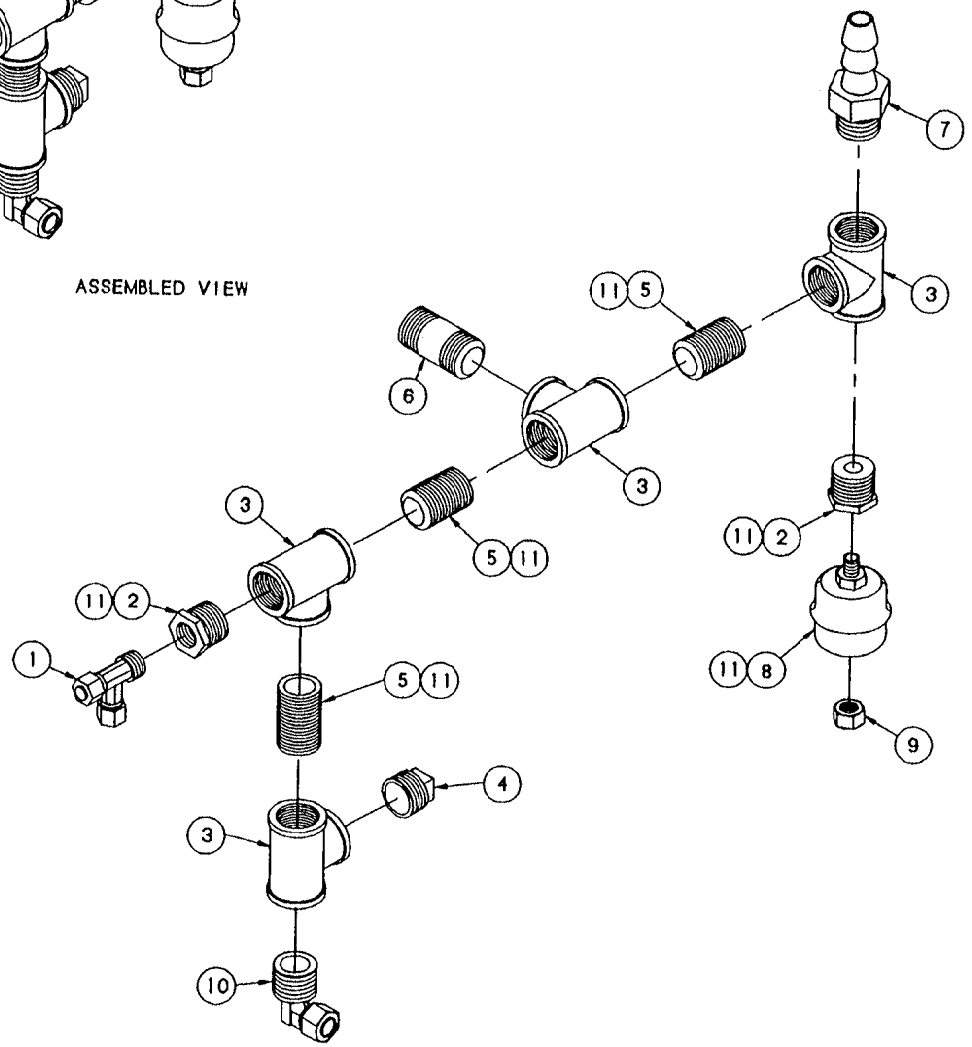


ITEM	QTY.	PART NO.	DESCRIPTION
15	A/R	00934	SEALANT, RECTORSEAL
14	1	104382	FITTING, HOSE BARB, 1/4" H X 3/8" MPT
13	1	05280	ELBOW, STREET, 3/8" BRASS
12	1	02575	BUSHING, REDUCING, 3/4" X 3/8", BRASS
11	1	18807	PLUG, SQUARE HEAD, 3/4", BRASS
10	1	03732	CROSS, 4-WAY 3/4" BRASS
9	1	14881	NUT, COMPRESSION, 1/4 TUBE, BRASS
8	1	101207	TRAP, THERMOSTATIC, 1/4" X 1/4"
7	1	06240	FITTING, HOSE BARB 3/4 HOSE X 3/4 MPT BRASS
6	1	14431	NIPPLE, 3/4 X 2, BRASS
5	1	14342	NIPPLE, 3/4 X CLOSE, BRASS
4	1	101035	VALVE, SAFETY, 3/4", 12 PSI
3	2	20208	TEE, 3/4 BRASS
2	2	02583	BUSHING, REDUCING, 3/4 X 1/4, BRASS
1	1	100883	FITTING, COMPR., TEE 3/8T X 1/4MPT X 3/8T

TOLERANCES (UNLESS OTHERWISE SPECIFIED)		CLEVELAND RANGE INC. 1333 East 179th St. Cleveland, Ohio 44110-2574		
DECIMAL ± N/A	SCALE 1/2=1	DRAWN BY EAG	APPROVED BY DLD	
ANGULAR ± N/A	TITLE STEAM OUTLET ASSEMBLY SM GAS, 600MM			
CK	DATE 1-21-94	DRAWING NO. C -	125	REV. -



ASSEMBLED VIEW



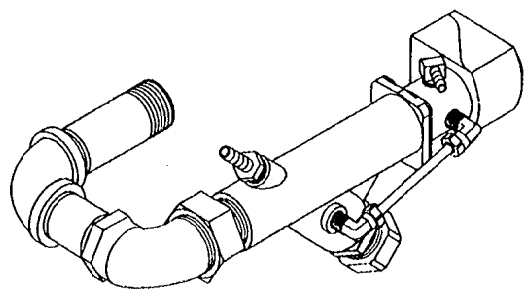
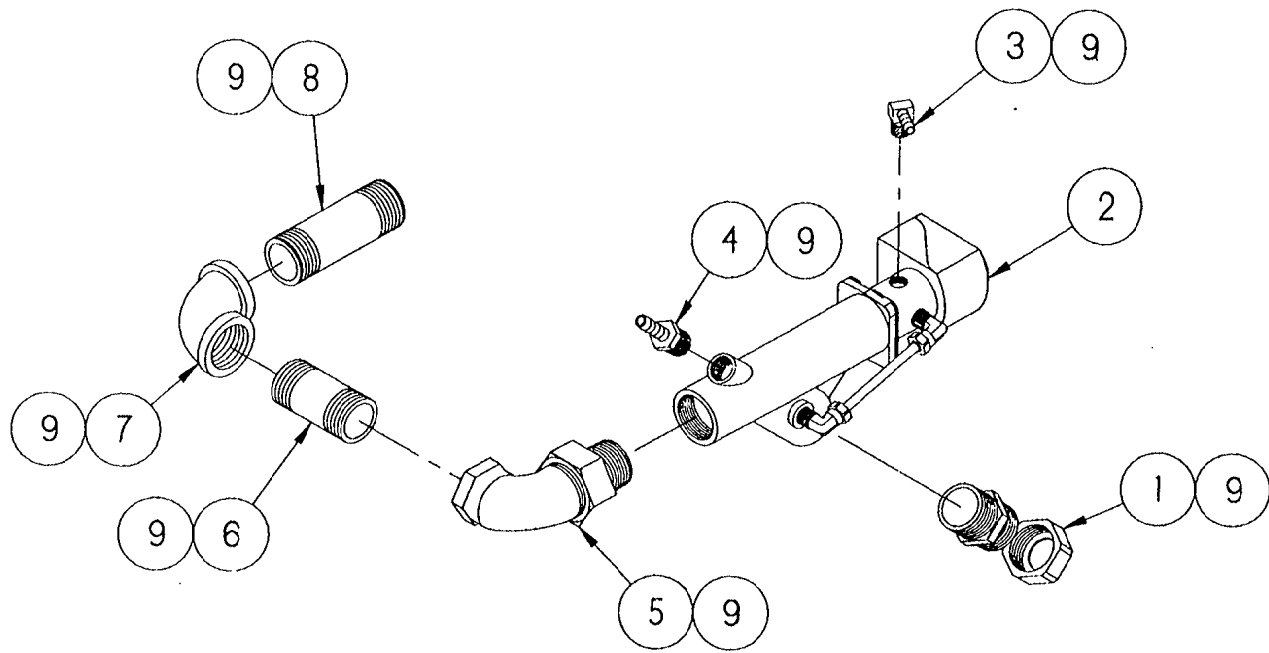
ITEM	QTY.	PART NO.	DESCRIPTION
11	A/R	00934	SEALANT, RECTORSEAL
10	1	06187	FITTING, COMPR., 90 DEG, 1/2T X 3/4MPT
9	1	14861	NUT, COMPRESSION, 1/4 TUBE, BRASS
8	1	101207	TRAP, THERMOSTATIC, 1/4" X 1/4"
7	1	06240	FITTING, HOSE BARB 3/4 HOSE X 3/4 MPT BRASS
6	1	14431	NIPPLE, 3/4 X 2, BRASS
5	3	14342	NIPPLE, 3/4 X CLOSE, BRASS
4	1	18807	PLUG, SQUARE HEAD, 3/4, BRASS
3	4	20208	TEE, 3/4 BRASS
2	2	02563	BUSHING, REDUCING, 3/4 X 1/4, BRASS
1	1	100883	FITTING, COMPR., TEE 3/8T X 3/8MPT X 3/8T

TOLERANCES <small>(EXCEPT AS NOTED)</small>			
CLEVELAND RANGE INC. 1333 East 179th St., Cleveland, Ohio 44110-2574			
DECIMAL ± N/A	SCALE 1/2=1	DRAWN BY D. DODSON	APPROVED BY NLT
ANGULAR ± N/A	TITLE STEAM OUTLET ASSY., 42CKEW/42CKGM REV. BEND GENERATOR		
CK	DATE 2-03-94	DRAWING NO. C - 428126	REV. -

THIS DESIGN DESCRIBES A PROPRIETARY ITEM AND IS THE PROPERTY OF CLEVELAND RANGE. THIS DRAWING IS NOT TO BE COPIED OR USED WITHOUT THE APPROVAL OF CLEVELAND RANGE.

NOTES:
1. PARTS MUST BE ROTATED TO ILLUSTRATED ANGLES.

LET	REVISIONS	DATE	BY
A	P/N 20208 WAS 20249. EO #2075	11-12-91	SM
B	ROTATED P/N 22221 & ADDED NOTE 1	04-18-92	SM
C	P/N 06208 WAS 06207, P/N 22244 WAS 22221, P/N 104381 WAS 08216, P/N 14495 WAS 14490, P/N 05280 WAS 05281, P/N 105787 ADDED, P/Ns 03277, 20208 & 14324 OMITTED PER E.O. #C-2448	06-18-93	PJO



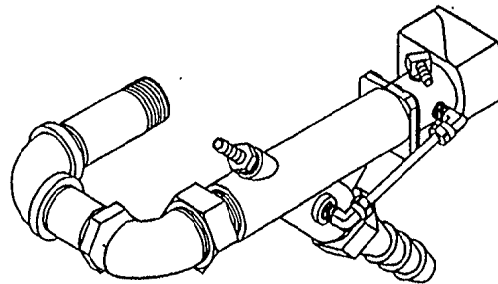
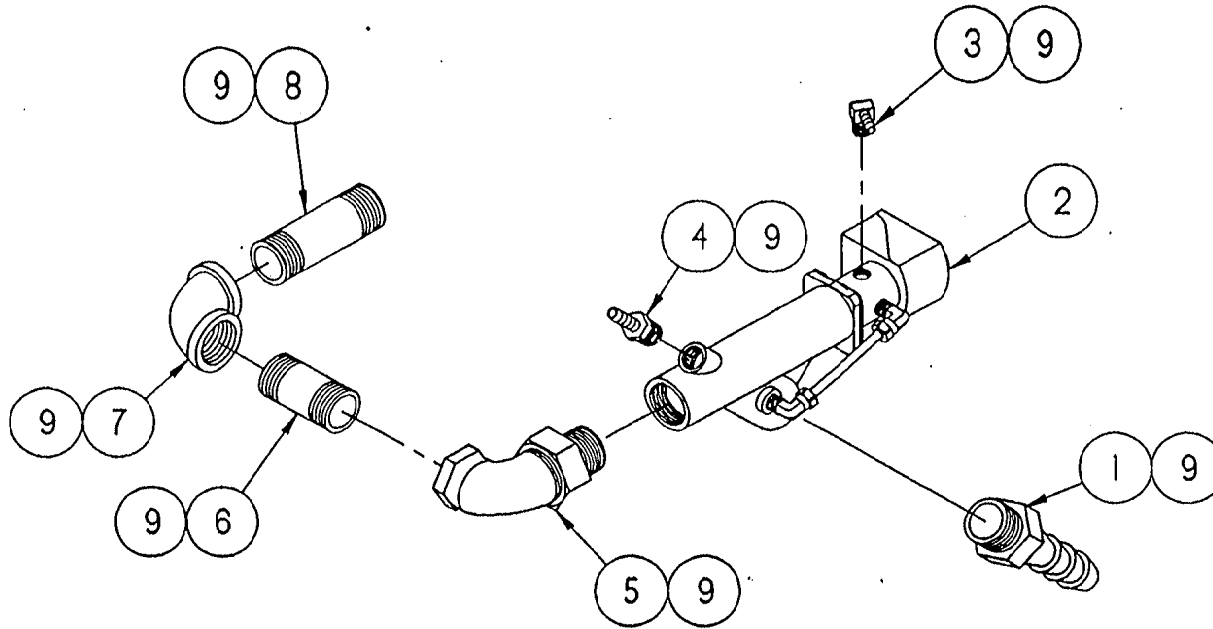
NO.	QTY.	PART NO.	DESCRIPTION
9	A/R	00934	SEALANT, RECTORSEAL
8	1	14495	NIPPLE, 3/4 NPT X 3, S/S
7	1	05280	ELBOW, 3/4 X 3/4, 90°
8	1	14431	NIPPLE, 3/4 X 2, BRASS
5	1	05283	ELBOW, RADIATOR, 3/4 X 90°
4	1	104381	FITTING, HOSE BARB, 1/4 H X 1/4 NPT
3	1	105787	FITTING, HOSE BARB, 1/4 H X 1/8 NPT 90
2	1	22244	VALVE, SOLENOID, 1/2", 15 PSI
1	1	06208	COMP., FITTING, 3/4" x 3/4" NPT, ST.

THIS DESIGN DESCRIBES A PROPRIETARY ITEM AND IS THE PROPERTY OF CLEVELAND RANGE. THIS DRAWING IS NOT TO BE COPIED OR USED WITHOUT THE APPROVAL OF CLEVELAND RANGE.

TOLERANCES (DEPT AS NOTED)			
DECIMAL	SCALE	DRAWN BY	APPROVED BY
± N/A	N.T.S.	S. WILENSKI	DJP
ANGULAR	TITLE	PIPING ASSEMBLY, BLOWDOWN	
± N/A		600 MM, GAS 1 ^{1/4} CGM1	
CK	DATE	DRAWING NO.	REV.
	7-18-91	C	11 C

NOTES:

1. ROTATE TOWARDS S/S NIPPLE ABOUT 45° FOR SMALL GAS PRESSURES (1).



LET	REVISIONS	DATE	BY
A	P/N 20206 WAS 20249, ED #2075	11-19-91	SM
B	ROTATED P/N 03277 & ADDED NOTE 1	04-18-92	SM
C	P/N 06240 WAS 06241, P/N 22244 WAS 22221, P/N 104381 WAS 08218, P/N 05280 WAS 05281 P/N 14495 WAS 14490, P/N 105787 ADDED, AND P/N 03277, 20206 & 14324 OMITTED PER E.O. 14176	06-18-93	PJD

NO.	QTY.	PART NO.	DESCRIPTION
9	A/T	00934	SEALANT, RECTORSAL
8	1	14495	NIPPLE, 3/4 NPT X 3, S/S
7	1	05280	ELBOW, 3/4 X 3/4, 90°
6	1	14431	NIPPLE, 3/4 X 2, BRASS
5	1	05283	ELBOW, RADIATOR, 3/4 X 90°
4	1	104381	FITTING, HOSE BARB, 1/4 H X 1/4 NPT.
3	1	105787	FITTING, HOSE BARB, 1/4 H X 1/8 NPT 90°
2	1	22244	VALVE, SOLENOID, 1/2", 15 PSI
1	1	06240	FITTING, HOSE BARB, 3/4 H X 3/4 NPT

TOLERANCES (EXCEPT AS NOTED)			
DECIMAL	± .001	ANGULAR	± .001
± .001	N/A	± .001	N/A
DATE		DRAWING NO.	
11-07-91		C - 408111	
APPROVED BY		REV.	
S. MILEWSKI		C	

THIS DESIGN DESCRIBES A PROPRIETARY ITEM AND IS THE PROPERTY OF CLEVELAND RANGE. THIS DRAWING IS NOT TO BE COPIED OR USED WITHOUT THE APPROVAL OF CLEVELAND RANGE.

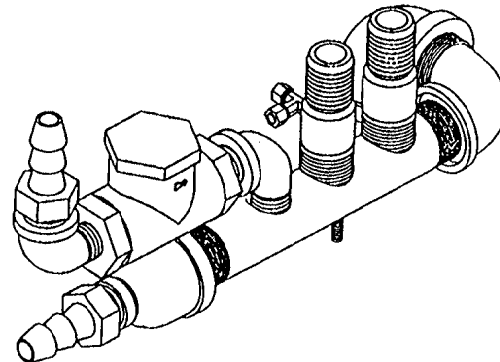
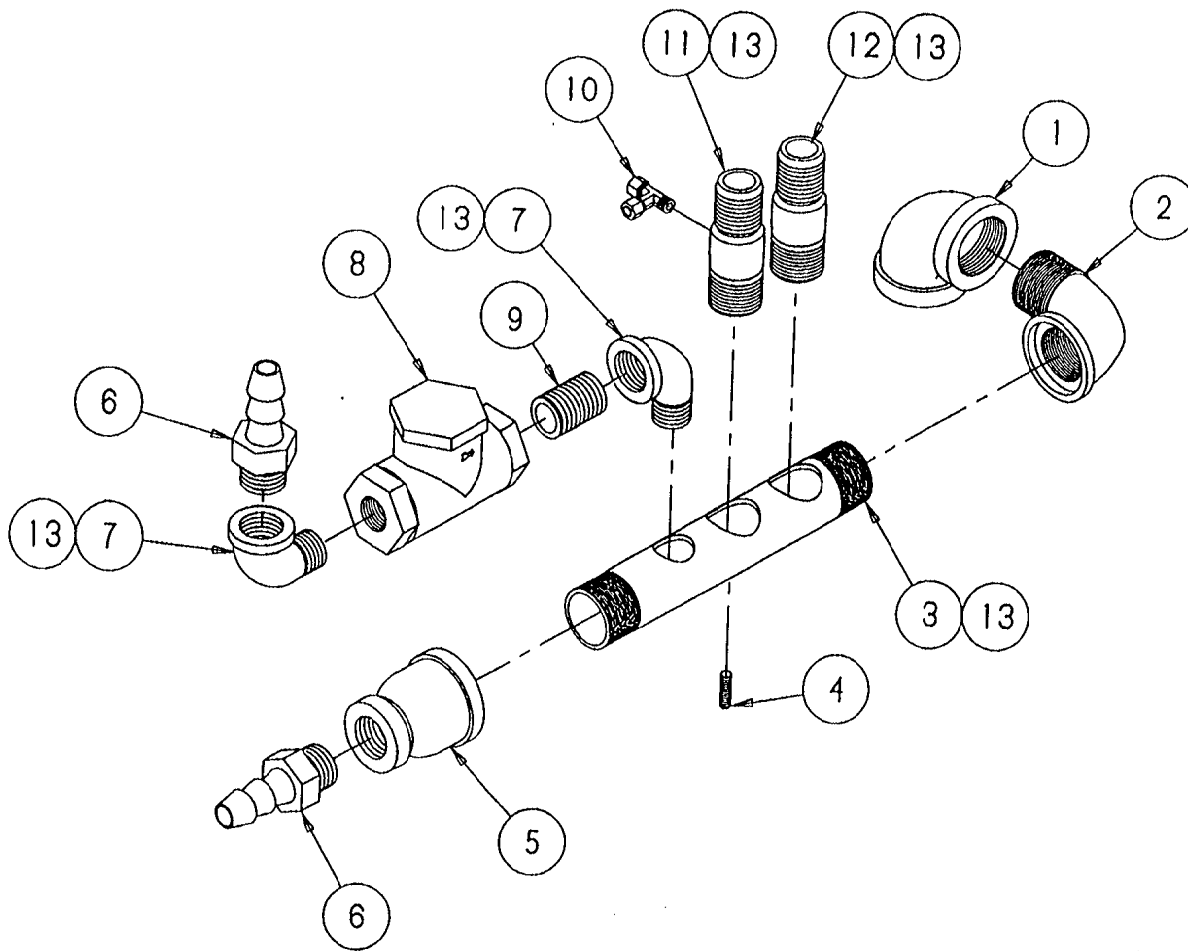
CLEVELAND RANGE INC.

1333 East 179th St., Cleveland, Ohio 44110-2574

SOLE DRAWN BY APPROVED BY
H.T.S. S. MILEWSKI DJP

TITLE
PIPING ASSEMBLY, BLOWDOWN
360CM, 360CM18, 36PCGM, PCM

DATE DRAWING NO. REV.
11-07-91 C - 408111 C



ASSEMBLED UNIT

LET	REVISIONS	DATE	BY
-	PRODUCTION RELEASE E.O. #C-2008	09-10-91	PJD
A	P/N 05259 WAS QTY. OF 2 E.O. #C-2048	10-11-91	PJD
B	P/N 105541 WAS P/N 20219 E.O. #C-2134 R1	03-11-92	PJD
C	P/N 05259 WAS QTY. OF 3, P/N 105541 OMITTED, P/N 08240 WAS QTY. OF 3 PER E.O. #C-2448	07-21-93	PJD

NO.	QTY.	PART NO.	DESCRIPTION
13	A/R	00934	SEALANT, RECTORSEAL
12	1	14481	FITTING, BARB 1" HOSE X 1" NPT S/S
11	1	585191	FITTING, HOSE - DRAIN MANIFOLD WITH 1/8" HOLE
10	1	101394	TEE, MALE RUN 1/4 T X 1/4 T X 1/8
9	1	14343	NIPPLE, CLOSE, 3/4", BLACK
8	1	22119	VALVE, SWING CHECK, 3/4"
7	2	05259	ELBOW, STREET, 90°, 3/4", BLACK
6	2	08240	FITTING, HOSE BARB 3/4" HOSE X 3/4 NPT
5	1	03818	COUPLING, RED, 1-1/2 -3/4 BLACK
4	1	19917	STUD, WELD, 1/4-20 X .875 S/S
3	1	13252	MANIFOLD, DRAIN 1-1/2 NPT BLACK
2	1	05292	ELBOW, STREET 1-1/2 NPT X 90° BLACK
1	1	05238	ELBOW, 1-1/2 NPT X 90° BLACK

TOLERANCES (UNLESS AS NOTED)			
DECIMAL	SCALE	DRAWN BY	APPROVED BY
± N/A	1/2"	P.J.D.	D.S.
ANGULAR	TITLE		
± N/A	DRAIN, MANIFOLD ASSEMBLY 42CKGM/SM 42CKGM/LG, 42CKSM		
CK	DATE	DRAWING NO.	REV.
	09-10-91	C-104873	C

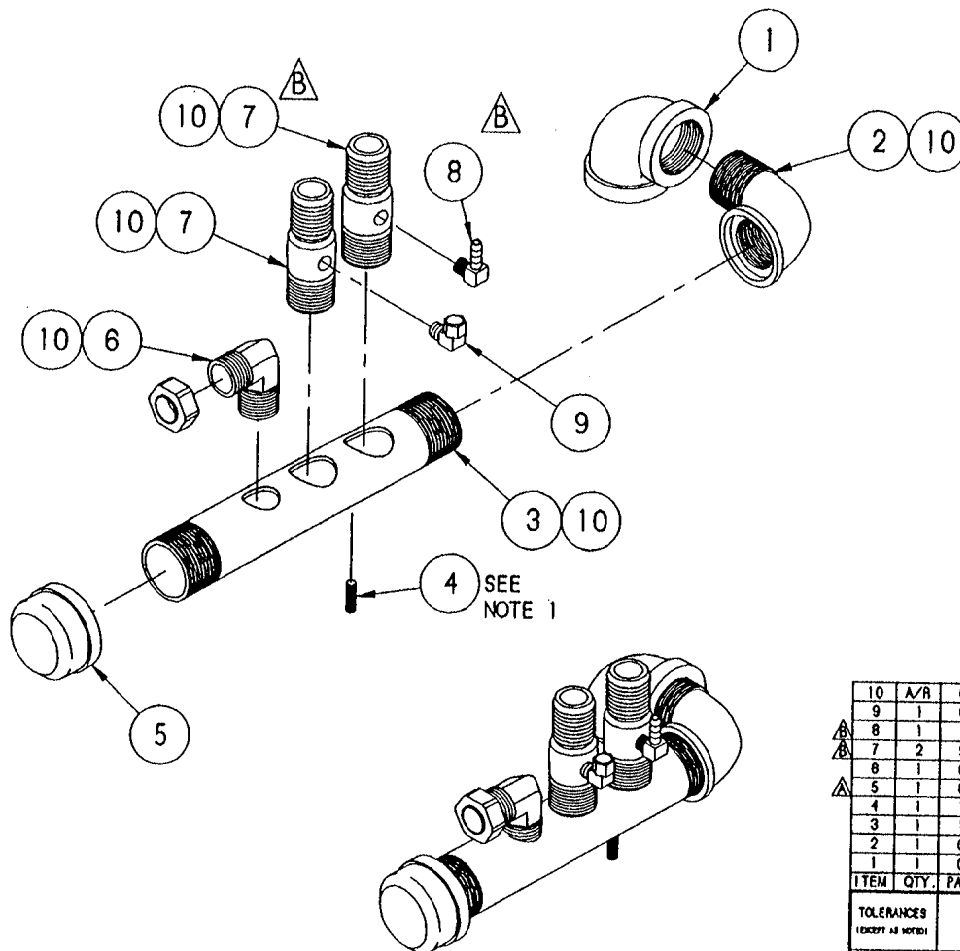
THIS DESIGN DESCRIBES A PROPRIETARY ITEM AND IS THE PROPERTY OF CLEVELAND RANGE. THIS DRAWING IS NOT TO BE COPIED OR USED WITHOUT THE APPROVAL OF CLEVELAND RANGE.

CLEVELAND RANGE INC.
1333 East 179th St., Cleveland, Ohio 44110-2574

NOTE:

- REFER TO DRAWING 260AHV FOR STUD LOCATION INSTRUCTIONS.

LET.	REVISIONS	DATE	BY
A	P/Ns 03818 & 08208 OMITTED AND P/N 03058 ADDED PER E.O. 1C-2448	08-21-93	PD
B	P/N 585191 WAS P/N 14481, ADDED P/N 105787 & NOTES PER E01C-2554	1-25-94	EAG

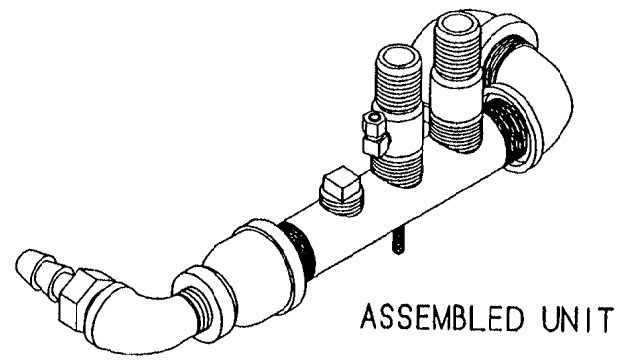
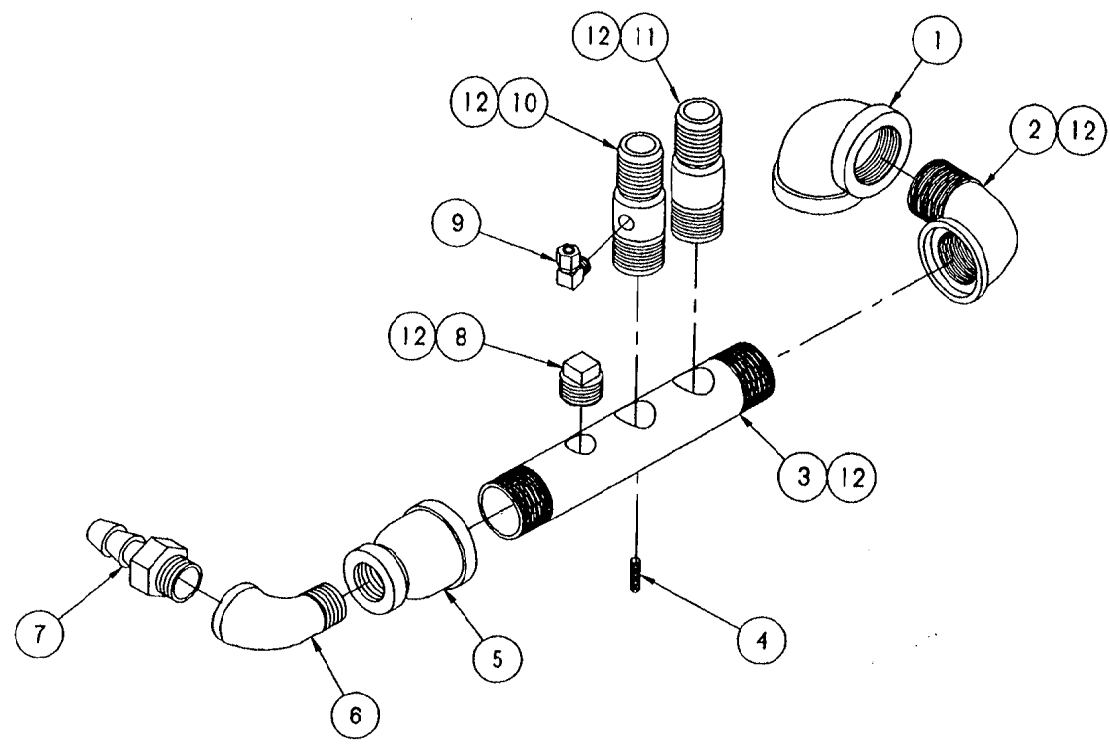


ITEM	QTY.	PART NO.	DESCRIPTION
10	A/R	00934	SEALANT, RECTORSEAL
9	1	08192	FITTING, COMP. 1/4 T X 1/8 MPT 90°
8	1	105787	FITTING, HOSE BARB 90° 1/8" MPT X 1/4" H
7	2	585191	FITTING, HOSE-DRAIN MANIFOLD W/ 1/8" HOLE
6	1	08209	FITTING, COMP. 3/4 T X 3/4 NPT, 90°
5	1	03058	CAP, PIPE, 1-1/2" MALLEABLE IRON
4	1	19917	STUD, WELD 1/4-20 X 7/8, S/S
3	1	13252	MANIFOLD, DRAIN 1-1/2 NPT, BLACK
2	1	05292	ELBOW, STREET, 1-1/2 NPT X 90°, BLACK
1	1	05238	ELBOW, 1-1/2 NPT X 90°, BLACK

TOLERANCES (EXCEPT AS NOTED)				CLEVELAND RANGE INC. 1333 East 178th St. Cleveland, Ohio 44110-2574			
DECIMAL ± N/A	SCALE 1/2" = 1"	DRAWN BY DUTCHMAN	APPROVED BY				
ANGULAR ± N/A	TITLE DRAIN, MANIFOLD ASSEMBLY 24CGM						
CK	DATE 10-01-91	DRAWING NO. C - 42750	REV. B				

THIS DESIGN DESCRIBES A PROPRIETARY ITEM AND IS THE PROPERTY OF CLEVELAND RANGE. THIS DRAWING IS NOT TO BE COPIED OR USED WITHOUT THE APPROVAL OF CLEVELAND RANGE.

LET.	REVISIONS	DATE	BY
-	PRODUCTION RELEASE E.O. #C-1994	08-23-91	PJD
A	P/N 14947 & 20205 OMITTED AND P/N 08240 WAS QTY. OF 2 PER E.O. #C-2448	08-22-93	PJD



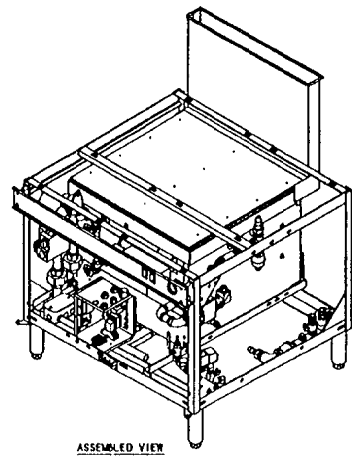
ITEM	QTY.	PART NO.	DESCRIPTION
12	A/R	00934	SEALANT, RECTORSEAL
11	1	14481	FITTING, BARB 1" H X 1" MPT S/S
10	1	565191	FITTING, HOSE, DRAIN MANIFOLD W/ 1/8 HOLE
9	1	06192	FITTING, COMP. 1/4 T X 1/8 MPT 90°
8	1	16808	PLUG, SO. HEAD, 3/4" PIPE, BLACK
7	1	08240	FITTING, HOSE BARB 3/4 H X 3/4 MPT
6	1	05259	ELBOW, STREET 3/4 X 90°, BLACK
5	1	03816	COUPLING, RED. 1-1/2 X 3/4, BLACK
4	1	19917	STUD, WELD 1/4-20 X 7/8, S/S
3	1	13252	MANIFOLD, DRAIN 1-1/2 NPT, BLACK
2	1	05292	ELBOW, STREET 1-1/2 NPT X 90° BLACK
1	1	05238	ELBOW, 1-1/2 NPT X 90°, BLACK

TOLERANCES (EXCEPT AS NOTED)		CLEVELAND RANGE INC. 1333 East 179th St. Cleveland, Ohio 44110-2574	
DECIMAL ± N/A	SCALE 1/2"	DRAWN BY P. J. D.	APPROVED BY
ANGULAR ± N/A	TITLE PIPING ASSEMBLY, DRAIN 38CGM/SM, 38CGM/LG, 38CEM, 24CSM, 38CSM		
CK	DATE 08-13-91	DRAWING NO. C - - 1	REV. A

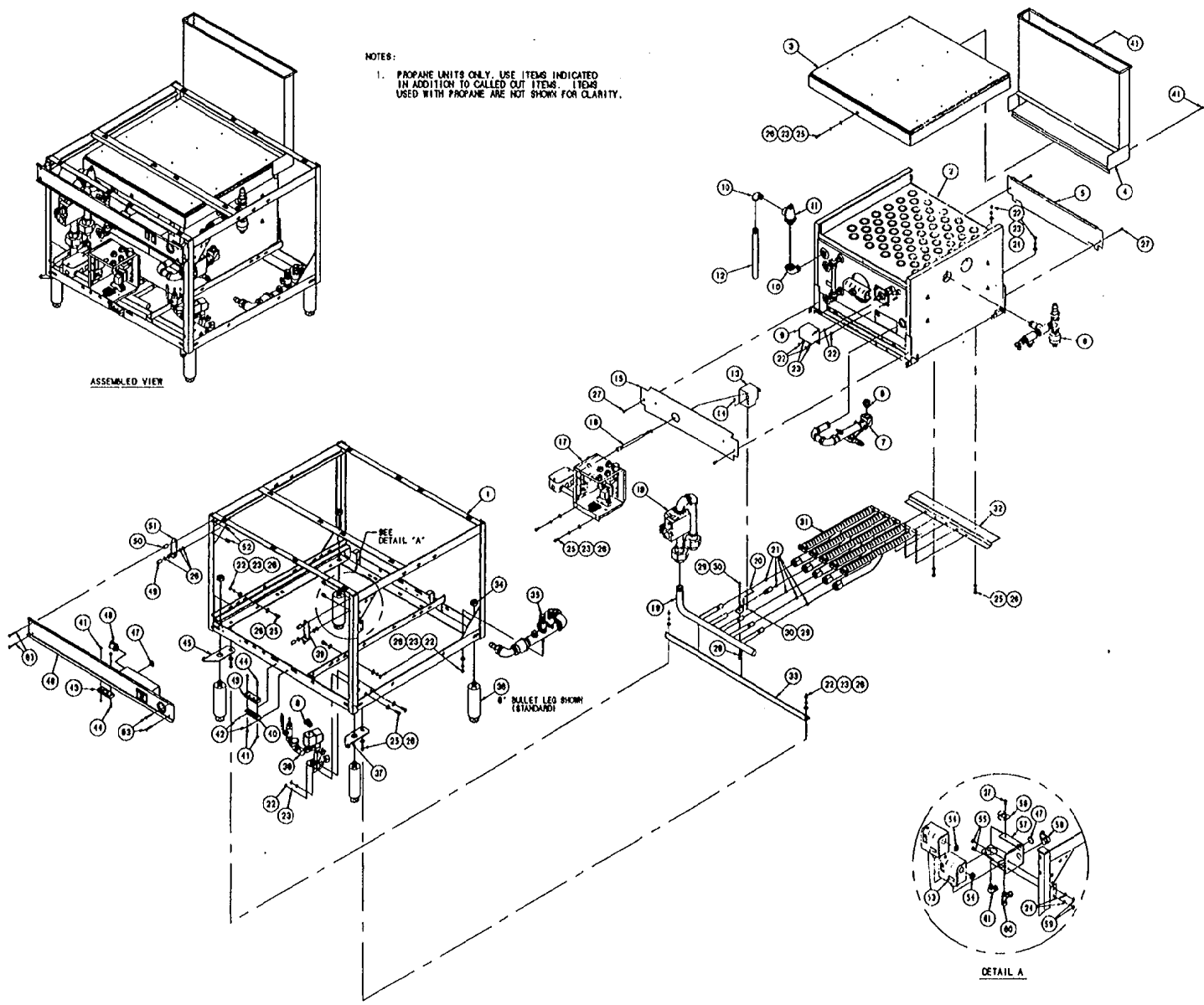
THIS DESIGN DESCRIBES A PROPRIETARY ITEM AND IS THE PROPERTY OF CLEVELAND RANGE. THIS DRAWING IS NOT TO BE COPIED OR USED WITHOUT THE APPROVAL OF CLEVELAND RANGE.

REV.	REVISIONS	DATE	BY
A	ADDED P/M 10688, P/M 23110 WAS	01-20-84	EA
-	QTY1261, P/M 10689 WAS 14003		
-	P/M 42751 WAS 104991 E.O. AC-2043		

NOTES:
 1. PROPANE UNITS ONLY. USE ITEMS INDICATED IN ADDITION TO CALLED OUT ITEMS. ITEMS USED WITH PROPANE ARE NOT SHOWN FOR CLARITY.



ASSEMBLED VIEW



SEE NOTE 1

ITEM	QTY	PART NO.	DESCRIPTION
83	4	10689B	SCREW, TRSS HD, PHILPS, 10-14 X 1-1/2
-	1	32014	BAFFLE, FRONT BURNER, GAS, LP ONLY
-	2	52935	BAFFLE, SIDE
62	A/R	00954	SEALANT, RECTORSAL
61	1	08196	FITTING, COMP, 3/8 X 1/4 NPT 90°
60	1	100883	FITTING, COMP TEE 3/8 X 1/4 NPT X 5/8
59	2	14688	NUT, HEX JAM, 1/4-20 X 3/8
58	1	103517	CONNECTOR, 1/2 X 1/2 STAINPITE
57	1	528241	BRACKET, PRESSURE SWITCH, ONE/LEGIT
56	1	52499	BRACKET, PRESSURE SWITCH RETAINER
55	2	15218	SCREW, HEX HEAD, 1/4-20 X 3/8 S/S
54	2	02559	BUSHING, INSULATING 3/8 X 1/2 HEX/OD
53	2	19847	SWITCH, PRESSURE CONTROL
52	4	10689B	NUT, SLIP ON, 10-24, TINNEMAN
51	1	412192	BRACKET, ASS'Y., TOP HINGE, I.S.
50	2	19555	SPACER
49	2	19552	SPACER
48	1	105210	CONNECTOR, GREENFIELD 1/2 STRAIGHT
47	2	18329	PLUG, SHAP-TH, 1/2" FOR 7/8" HOLE
46	1	1046874	COORLE ASSY, 200 MM 2 SWITCH
45	1	1020882	HINGE, LOWER LEFT HINGE
44	4	18200	SCREW, HD, HEAD 8-32 X 1 ZINC PLTD
43	2	03100	CATCH, MAGNETIC
42	A/R	18358	RIVET, 1/2 DIA, FLUSH BREAK S/S
41	1	14847	NUT, HEX 8-32 ZINC PLATED
40	1	53274	CLIP, MAGNET CATCH S/S
39	1	412192	BRACKET, ASS'Y. OF HINGE, R.I.
38	1	44070	WATER FEED ASSY, REV BEND GEN
37	1	1020883	HINGE, LOWER RIGHT HINGE
36	4	06159	LEG, BALLER 4
35	1	42751	DRATH, ASSEMBLY
34	4	14888	NUT, HEX JAM 3/4-10 ZINC PLTD
33	-	1009351	BRACKET, MANIFOLD, 900 MM BASE A.S.
32	-	03191	BRACKET, MANIFOLD, 900 MM BASE S/S
31	-	44150	BRACKET, SUPPORT, REAR, 250 KBTU
30	5	02497	BURNER ASSEMBLY GAS
29	2	14859	NUT, HEX, #10-24, 8/298
28	2	23113	WASHER, SPIN LOCK #18 ZINC PLATED
27	5	19140	SCREW, HEX WASHER HEAD, #10 X .3
26	22	23118	WASHER, FLAT 1/4 X 5/8 X .065
25	11	19288	SCREW, HEX HEAD, 1/4-20 X 3/4
24	1	25137	WASHER, LOCK INT, TOOTH, 1/4 S/S
23	14	23107	WASHER, LOCK 1/4 INCH LINK STYLE
22	13	14818	NUT, HEX 1/4-20 S/S
21	-	15450	ORIFICE, LP GAS, #18 DRILL
20	-	15453	ORIFICE, NAT GAS, #29 DRILL
19	-	52802	BRACKET, ALIGNMENT MANIFOLD
18	-	40921	MANIFOLD, ASSY, REV BEND 250 KBTU
17	-	42074	VALVE ASSY, LARGE GAS, LP
16	-	43664	VALVE ASSY, NATURAL GAS 250/300 KBTU
15	1	10092801	BOX, ELECT, ASSY FOR GAS 2 PROBE
14	1	44109	CABLE, IGNITION ASSEMBLY
13	1	40840	BAFFLE, FRONT, 250 BTU
12	1	15267	SCREW, PAN HEAD, #10-24 X .5 LG S/S
11	1	44090	BOX, IGNITER ASSEMBLY
10	2	14407	HIPPLE, Y.D.E., 3/4" Y 8" BLACK
9	1	22131	VALVE, SAFETY, 3/4" 13 PSI BRONZE
8	2	03259	ELBOW, STREET, 3/4" 90° BLACK
7	2	52305	BOX, PROBE, COVER, 2 PROBES, A.C.S.
6	1	105210	CONNECTOR, GREENFIELD 3/8 STRAIGHT
5	1	40811	BLOWDOWN ASSY, POL, CYCLONE, GAS
4	1	428122	STEAM OUTLET ASSEMBLY
3	1	52192	BAFFLE, REAR, 250/300 KBTU
2	-	1011301	FLUE RISER ASSY, INTERNAL
1	-	1008811	COX LEGS ASSY, TOP FLUE, LG GAS
0	-	407431WP	GAS GENERATOR ASSY, W/REF PLATS
0	-	411201	BASE, WELDED, 900MM, A.C.S.
0	-	41120	BASE WELDED, 900MM, S/S

REF

DETAIL A

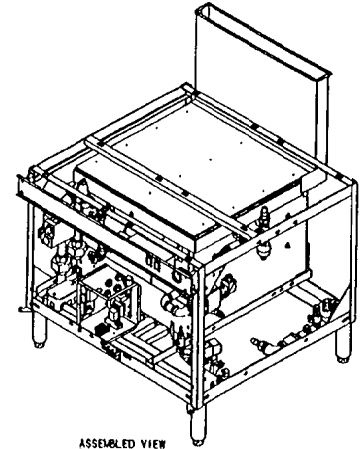
THIS DESIGN DESCRIBES A PROPRIETARY ITEM AND IS THE PROPERTY OF CLEVELAND RANGE. THIS DRAWING IS NOT TO BE COPIED OR USED WITHOUT THE APPROVAL OF CLEVELAND RANGE.

NEXT ASS Y: DCE0023

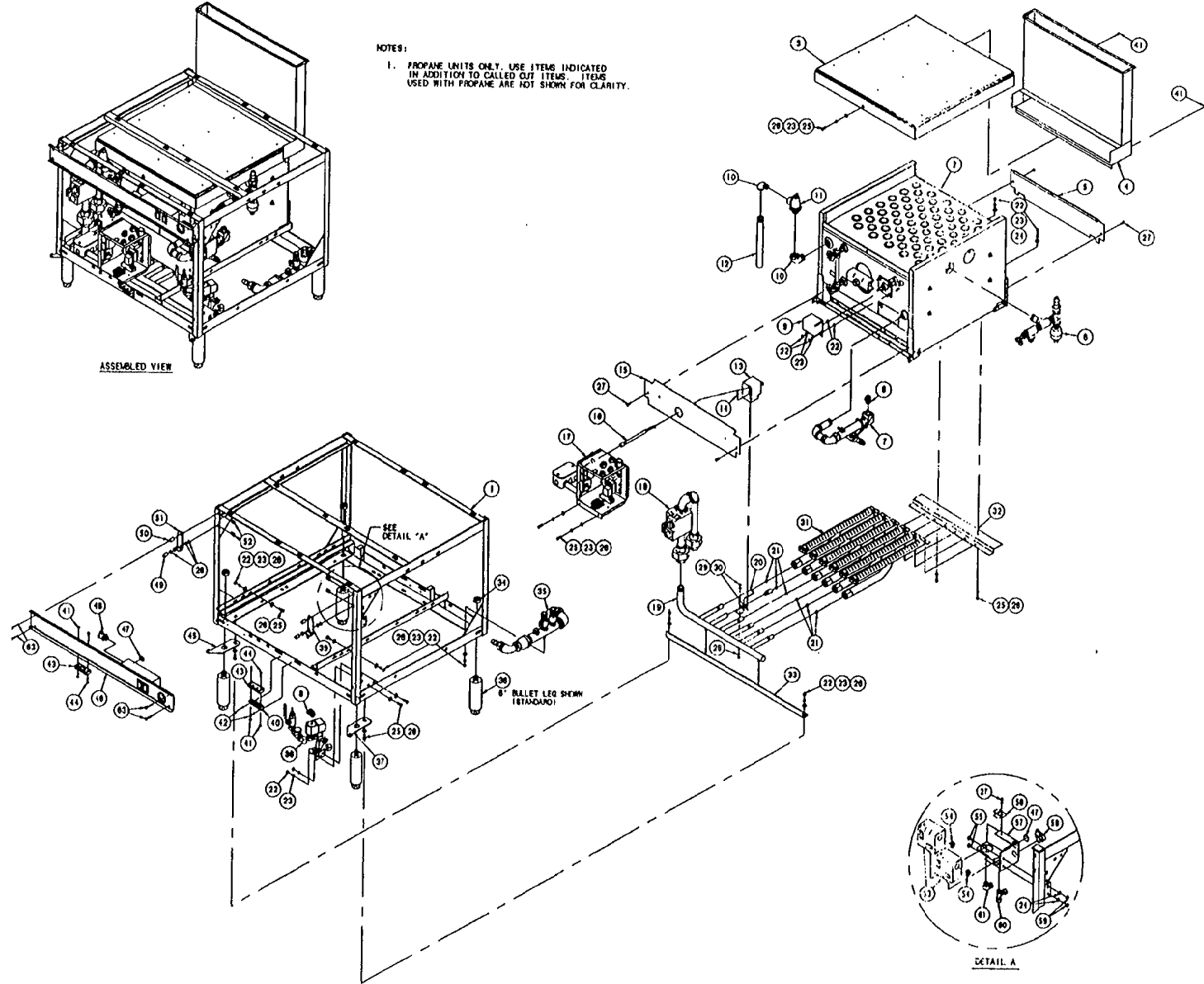
CLEVELAND RANGE INC. 1323 East 1781st St. Cleveland, Ohio 44110-2174			
DECIMAL	SCALE	DRAWN BY	APPROVED BY
1/8" = 1"	1/8" = 1"	E. ORLIVEAS	H.L.
DRAWN	TITLE	BASE ASSEMBLY, GENERATOR, 900 MM, GAS, 250 KBTU	
DATE	DRAWING NO.	D - DCE0007	
10-14-83			

LET.	REVISIONS	DATE	BY
A	ADDED P/N 104888, P/N 23118 WAS	05-20-94	GC
-	QTY(261), P/N 104884 WAS 14845		
-	P/N 42781 WAS 104911 E.O. 4C-2843		

NOTES:
 1. PROPANE UNITS ONLY. USE ITEMS INDICATED IN ADDITION TO CALLED OUT ITEMS. ITEMS USED WITH PROPANE ARE NOT SHOWN FOR CLARITY.

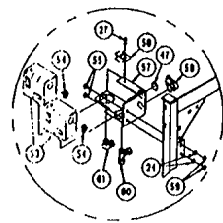


ASSEMBLED VIEW



SEE DETAIL "A"

Ø BAILEY LEG STEM (STANDARD)



DETAIL A

SEE NOTE 1

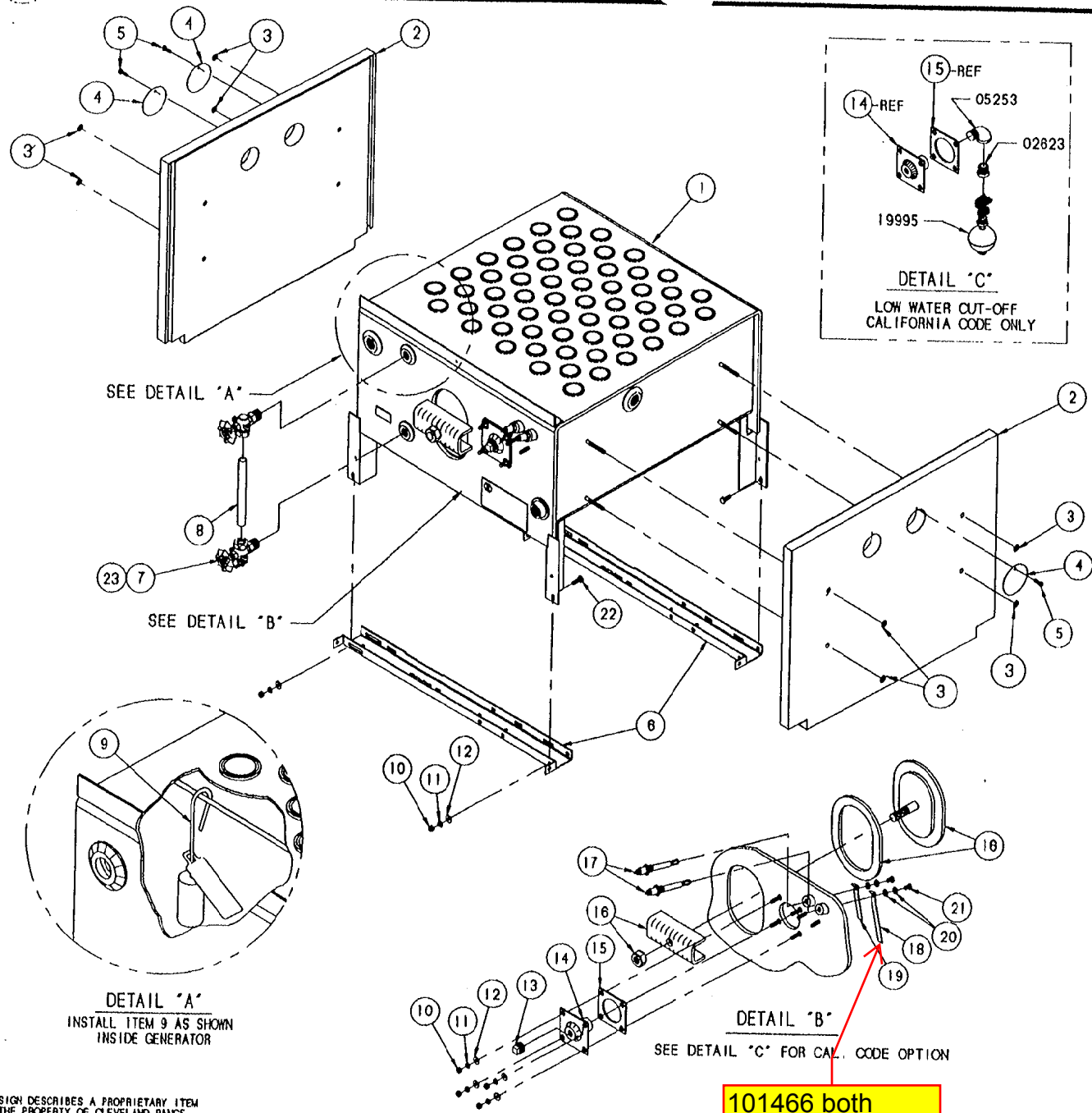
QTY	P/N	DESCRIPTION
4	106898	SCREW, TRUSS HD, PHILPS, 10-24 X 1-1/2
1	32613	BAFFLE, FRONT BURNER, GAS, LP ONLY
1	32615	BAFFLE, SIDE
2	02934	SEALANT, RECTANGULAR
1	06196	FITTING, COMP, 3/8 X 1/4 NPT, 90°
1	100893	FITTING, COMP TEE 3/8 X 1/4 NPT X 3/8
2	14889	NUT, HEX JAW, 1/4-20, 3/8
1	105747	CONNECTION, 1/2 X 90° BRASS FITTING
1	328241	BRACKET, PRESSURE SWITCH, GAS/ELECT
1	32499	BRACKET, PRESSURE SWITCH RETAINER
2	19218	SCREW, HEX HEAD, 1/4-20 X 3/8 3/8"
2	07399	BUSHING, INSULATING 3/8 X 1/2 METAL
2	19947	SWITCH, PRESSURE CONTROL
1	106899	NUT, SLIP ON, 10-24, TYPENORM
1	41282	BRACKET, ASSY., TOP HINGE, L.S.
2	19355	SPACER
2	19352	SPACER
2	193210	CONNECTION, GREENFIELD 1/2 STRAIGHT
2	19329	FLUE, SHIP-IN, 1/2" FOR 1/2" HOLE
1	048074	CONTROL ASSY, 300 MM 2 SWITCH
1	020842	HINGE, LOWER LEFT HINGE
1	19206	SCREW, HD, HEAD 8-32 X 1 ZINC PLTD
3	03100	CATCH, MAGNETIC
1	18338	PIVOT, 1/8 DIA, FLUSH BREAK 5/8
1	18174	NUT, HEX 8-32 ZINC PLATED
1	32774	CLIP, MAGNET CATCH 5/8
1	41282	BRACKET, ASSY., TOP HINGE, R.S.
1	44070	WATER FEED ASSY, REV BEND GEN
1	1020683	HINGE, LOWER RIGHT HINGE
1	09156	LEG, BULLET
1	42781	DRAIN, TUBULAR
1	14888	NUT, HEX JAW 3/4-10 ZINC PLTD
1	1009351	BRACKET, MANIFOLD, 300 MM BASE A.S.
1	03184	BRACKET, MANIFOLD, 300 MM BASE 3/8
1	41137	BRACKET, SUPPORT, REAR, 300 KBTU
1	02497	BURNER, STANDARD GAS
2	14859	NUT, HEX, #10-24, 3/8"
2	23119	WASHER, SPILT LOCK #10 ZINC PLATED
1	19594	SCREW, ROUND HEAD, #10-24 X 7/8 LG
1	19148	SCREW, HEX WASHER HEAD, #10 X 3
2	23118	WASHER, FLAT #10 X 3/8 X .045
1	10268	SCREW, HEX HEAD, 1/4-20 X 3/4
1	23137	WASHER, LOCK INT, TOOTH, 1/4 5/8
1	23105	WASHER, LOCK 1/4 KAYLINK STYLE
1	14118	NUT, HEX 1/4-20 5/8"
1	15180	ORIFICE, LP GAS, #25 DRILL
1	15159	ORIFICE, NAT GAS, #29 DRILL
1	32802	BRACKET, ALUMINUM MANIFOLD
1	40922	MANIFOLD, ASSY, REV BEND 300 KBTU
1	42674	VALVE ASSY, LARGE GAS, LP
1	42664	VALVE ASSY, NATURAL GAS, #10/300 KBTU
1	10092901	BOX, ELECT, ASSY FOR GAS 2 PROBE
1	44169	CABLE, IGNITION ASSEMBLY
1	40842	BAFFLE, FRONT, 300 KBTU R/S
1	19287	SCREW, PAN HEAD, #10-24 X 3 LG 3/8
1	44096	BOX, IGNITER ASSEMBLY
1	14187	HITPALE, T.O.E., 3/4 X 9", BLACK
1	22131	VALVE, SAFETY, 3/4" 15 PSI BRONZE
10	05359	ELBOW, STREET, 3/4", 90° BLACK
1	32005	BOX, PROBE COVER, 2 PROBES, A.C.S.
2	103249	CONNECTION, GREENFIELD 3/8 STRAIGHT
1	40611	BLOWDOWN ASSY, RCL, CYCLORE, GAS
1	428122	STEAM OUTLET ASSEMBLY
1	52192	BAFFLE, REAR, 210/300 KBTU
1	1011901	FLUE RISER ASSY, INTERNAL
1	100911	COLLECTOR ASSY, TOP FLOOR LG GAS
1	407431MP	GAS GENERATOR ASSY, W/REF PARTS
1	411201	BASE WELDMENT, 300MM, A.C.S.
1	41120	BASE WELDMENT, 300MM, 5/8"

REF

CLEVELAND RANGE INC.			
1833 East 17811 St., Cleveland, Ohio 44110-1974			
TOLERANCES	SCALE	DRAWN BY	APPROVED BY
DECIMAL ± .001	1/2"=1"	E. ORTVEAS	M.L.
FRACTION ± 1/32"			
DATE	TITLE	DRAWING	REV
10-15-93	BASE ASSY 300 MM	DCE0009	A

THIS DESIGN DESCRIBES A PROPANE ITEM AND IS THE PROPERTY OF CLEVELAND RANGE INC. THIS DRAWING IS NOT TO BE USED WITHOUT THE APPROVAL OF CLEVELAND RANGE INC.

NEXT ASSY: DCE00024



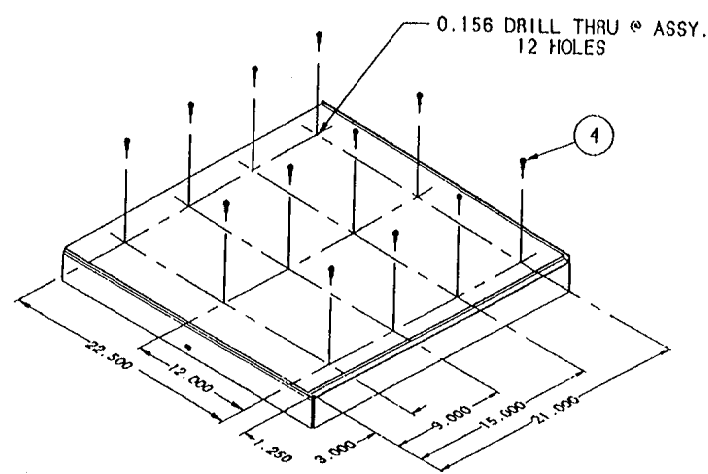
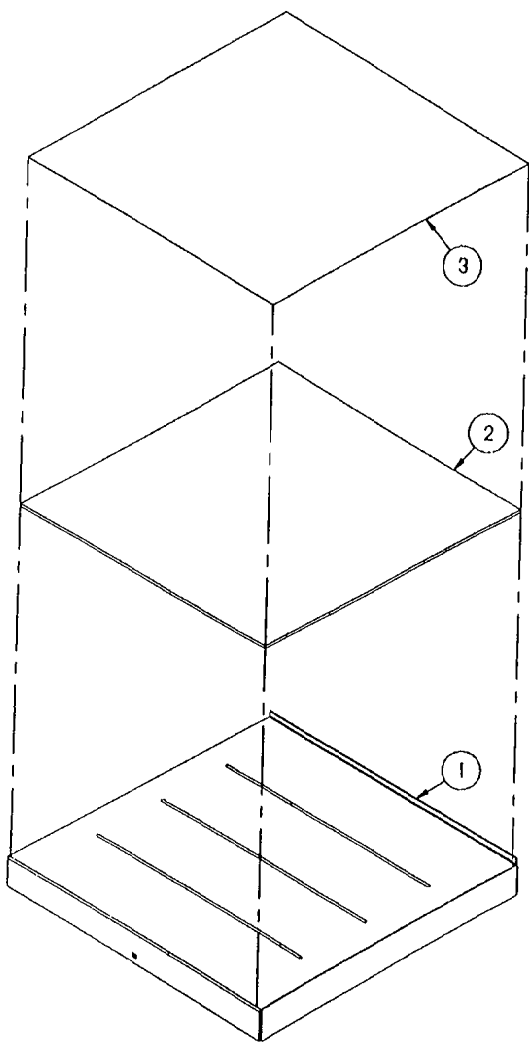
NO.	QTY.	PART NO.	DESCRIPTION
23	A/R	00934	SEALANT, RECTORSEAL
22	4	19288	SCREW, HEX HEAD, 1/4-20 X 3/4
21	2	19218	SCREW, HEX HEAD, 1/4-20 X 3/8 S/S
20	4	23151	WASHER, INTERNAL TOOTH LOCK, 1/4
19	1	82452	EXTENSION, WATER PROBE 1/2 X 3-1/8
18	1	82453	EXTENSION, WATER PROBE, 1/2 X 4-5/8
17	2	18871	PROBE WARRICK, 4-5/16" LG
16	1	40421	HAND HOLE PLATE & BAR ASSM
15	1	07128	GASKET, HEATER
14	1	41943	PLATE, MOUNTING
13	1	18602	PLUG, SQUARE 1/2 PIPE, BLACK
12	8	23116	WASHER, FLAT, 1/4 S/S
11	8	23105	WASHER, SPLIT LOCK, 1/4 S/S
10	8	14618	NUT, HEX, 1/4 - 20 S/S
9	1	43895	ANODE ASSM CORROSION PREVENTATIVE
8	1	07302	GAUGE, WATER, 5/8 X 6, GLASS
7	1	07176	GAUGE, FITTINGS, WATER, 1/2"
6	2	89987	SUPPORT, GEN MTG CHANNEL 900/1050MM
5	3	19148	SCREW, HEX WASH HD, #10 X 1/2
4	3	105539	DISK, HOLE COVER, SIDE INSUL. PANEL
3	8	14283	FASTENER, PUSHNUT, 1/4" STUD DIA.
2	-	1009802	PANEL, INSULATION ASM, RT/LT LP
1	-	100980	PANEL, INSULATION ASM, RT/LT NAT GAS
1	1	407431	GENERATOR ASSY, GAS-WELDMENT

TOLERANCES (EXCEPT AS NOTED)				CLEVELAND RANGE INC. 1333 East 179th St. Cleveland, Ohio 44110-2574		
DECIMAL ± N/A	SCALE 3/16	DRAWN BY GRIVEAS	APPROVED BY NLT	TITLE GAS GENERATOR ASSEMBLY 5/8 BURNER, W/ REFERENCE PARTS		
ANGULAR ± N/A	DATE 10-14-93		DRAWING NO. C-407431WP		REV. -	

THIS DESIGN DESCRIBES A PROPRIETARY ITEM AND IS THE PROPERTY OF CLEVELAND RANGE. THIS DRAWING IS NOT TO BE COPIED OR USED WITHOUT THE APPROVAL OF CLEVELAND RANGE.

101466 both probes ext.

LET.	REVISIONS	DATE	BY
A	ITEM 4, WAS P/N 19287 E.O. C-1580	7-7-89	DP
B	REDRAWN & UPDATED PER B.O.M.	2-07-94	EAG
	E.O.# C-2558		



THIS DESIGN DESCRIBES A PROPRIETARY ITEM AND IS THE PROPERTY OF CLEVELAND RANGE. THIS DRAWING IS NOT TO BE COPIED OR USED WITHOUT THE APPROVAL OF CLEVELAND RANGE.

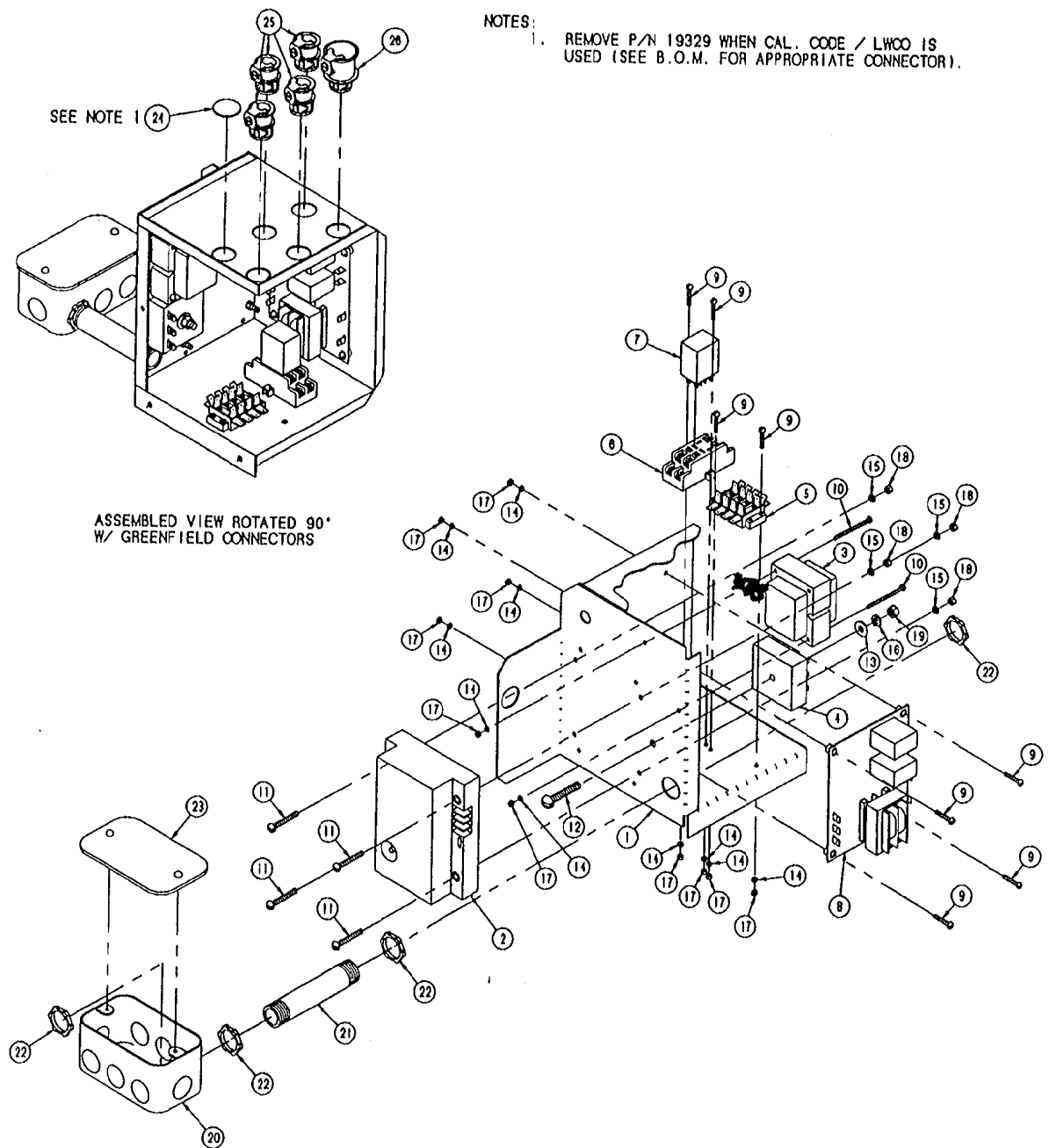
ITEM	QTY	PART NO.	DESCRIPTION
4	12	19118	SCREW, HEX HEAD WASH, SLTD, #10 x .75
3	1	1011171	PANEL, INSULATION, S & B BURNER
2	1	1011181	INSULATION, S & B BURNER
1	1	1009771	COLLECTOR, TOP FLUE, LARGE GAS

CLEVELAND RANGE INC. 1333 East 175th St. Cleveland, Ohio 44110-2874			
DECIMAL 1/16" = 1"	SCALE 3/16" = 1"	DRAWN BY W. ERBEZNIK	APPROVED BY
TOLERANCES 1/16" = 1"	TITLE COLLECTOR ASSM, TOP FLUE LARGE GAS		
CK	DATE 5-14-87	DRAWING NO. C - 101	REV. 0

LET.	REVISIONS	DATE	BY

NOTES:
 1. REMOVE P/N 19329 WHEN CAL. CODE / LWCO IS USED (SEE B.O.M. FOR APPROPRIATE CONNECTOR).

SEE NOTE 1



ITEM	QTY.	PART NO.	DESCRIPTION
26	1	105246	CONNECTOR, GREENFIELD, 1/2" SHAPTTITE
25	4	105243	CONNECTOR, GREENFIELD, 3/8" SHAPTTITE
24	1	19329	PLUG, SNAP-IN, 1/2" FOR 1/8" HOLE
23	1	02368	COVER, HANDI-BOX
22	4	14614	NUT, LOCK, 1/2", ELECTRICAL
21	1	14334	NIPLLE, 1/2" x 4", BLACK
20	1	02361	BOX, HANDI-BOX, ELECTRICAL
19	1	14618	NUT, HEX, 1/4-20, S/S, FULL FINISH
18	4	14598	NUT, HEX, 8-32, ZINC PLATED
17	10	14674	NUT, HEX, 8-32, ZINC PLATED
16	1	23105	WASHER, SPLIT LOCK, 1/4", S/S
15	4	101337	WASHER, INTERNAL TOOTH LOCK, #8
14	10	23111	WASHER, INTERNAL TOOTH LOCK, #6
13	1	23116	WASHER, FLAT, 1/4" ID x .065" THK
12	1	19265	SCREW, ROUND HEAD, 1/4-20 x 1.5", S/S
11	8	19150	SCREW, ROUND HEAD SLOTTED, 8-32 x 1.25"
10	4	19149	SCREW, ROUND HEAD SLOTTED, 8-32 x 1.75"
9	2	19183	SCREW, ROUND HEAD SLOTTED, 8-32 x .75"
8	1	23198	CONTROL, WATER LEVEL
7	1	03524	RELAY, 120 V, 50/60Hz, AC, DPDT
6	1	03525	SOCKET, RELAY
5	1	44184	TERMINAL BLOCK ASM. - 4 POLE, GAS UNITS
4	1	20478	TIMER, SOLID STATE INTERVAL, 3 MINUTE
3	1	20258	TRANSFORMER - SPARK IGNITION SUPPLY
2	1	03516	CONTROL, MODULE, DIRECT SPARK IGNITION
1	1	44139	BOX, WELDMENT, ELECTRIC FOR GAS, 2 PROBE

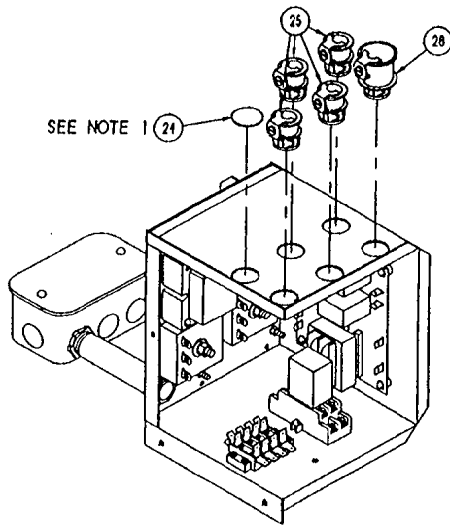
THIS DESIGN DESCRIBES A PROPRIETARY ITEM AND IS THE PROPERTY OF CLEVELAND RANGE. THIS DRAWING IS NOT TO BE COPIED OR USED WITHOUT THE APPROVAL OF CLEVELAND RANGE.

TOLERANCES (UNLESS OTHERWISE SPECIFIED)		CLEVELAND RANGE INC. 1393 East 179th St. Cleveland, Ohio 44110-2374	
DECIMAL ± 1/A	SCALE 3/8"=1	DRAWN BY E.GRIEVEAS	APPROVED BY
ANGULAR ± 1/A	TITLE BOX, ELECTRIC ASSEMBLY GAS - 2 PROBE		
DATE CK 2-15-94	DRAWING NO. C - 10092901	REV. -	

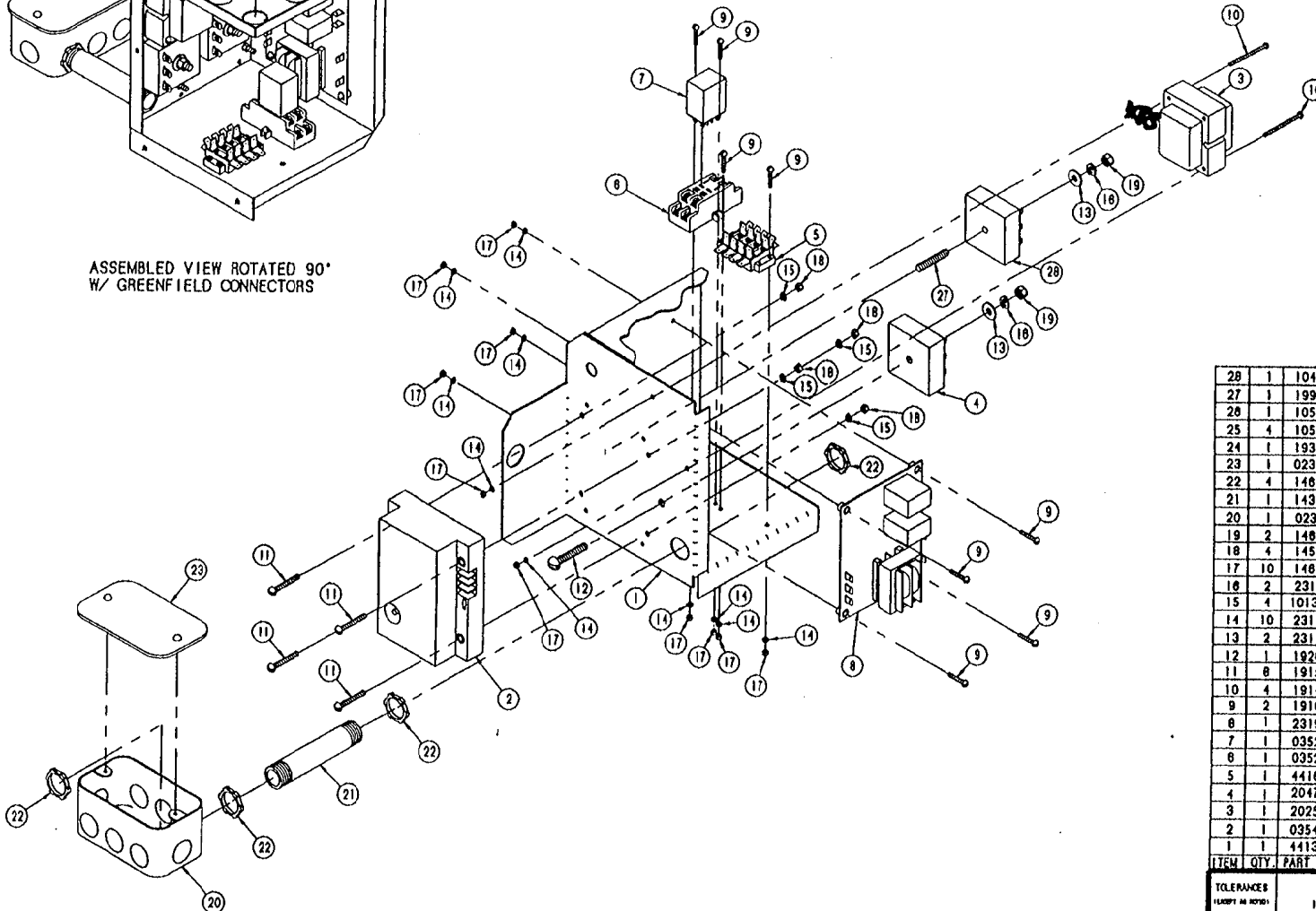
NOTES:

1. REMOVE P/N 19329 WHEN CAL. CODE / LWCO IS USED (SEE B.O.M. FOR APPROPRIATE CONNECTOR).

SEE NOTE 1



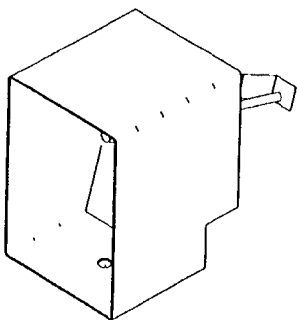
ASSEMBLED VIEW ROTATED 90°
W/ GREENFIELD CONNECTORS



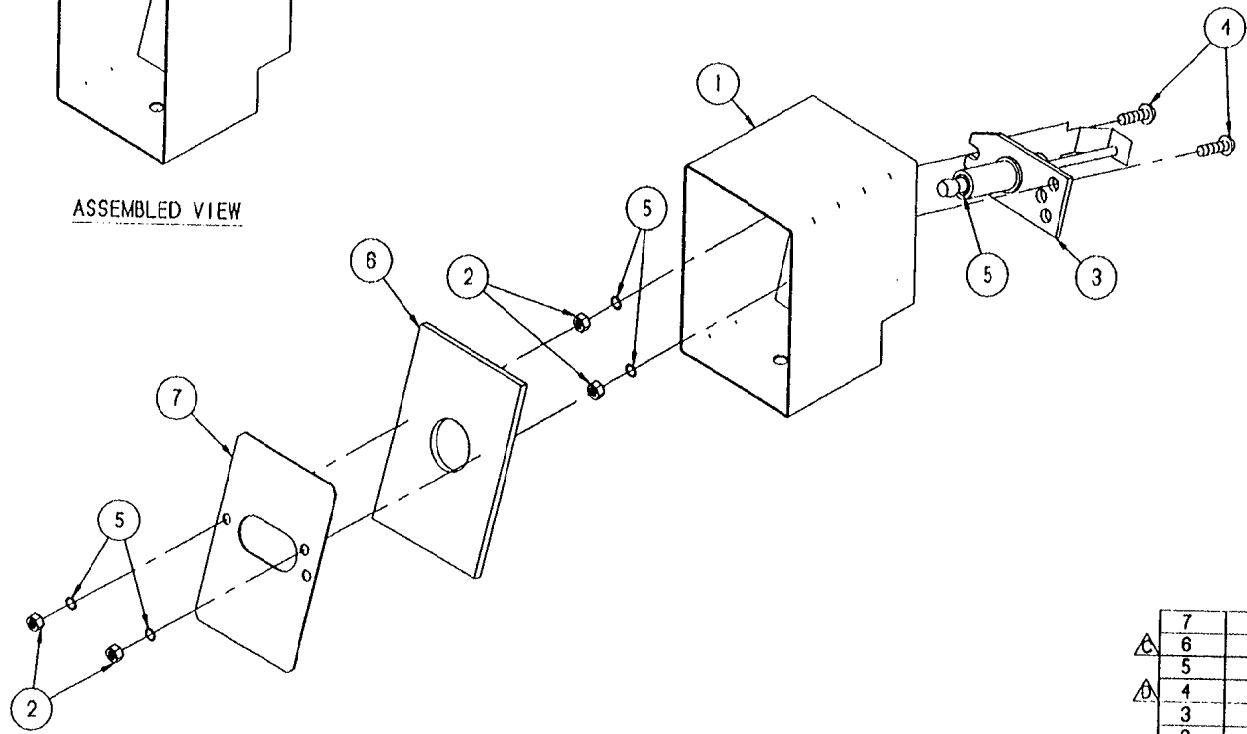
ITEM	QTY	PART NO.	DESCRIPTION
28	1	104718	TIMER, RECYCLING, GENERATOR W/BLOWDOWN
27	1	19914	STUD, WELD, STYLE F, 1/4-20 X 1-1/2, S/S
26	1	105248	CONNECTOR, GREENFIELD, 1/2" SHAPITITE
25	4	105243	CONNECTOR, GREENFIELD, 3/8" SHAPITITE
24	1	19329	PLUG, SNAP-IN, 1/2" FOR 1/8" HOLE
23	1	02398	COVER, HANDI-BOX
22	4	14814	NUT, LOCK, 1/2", ELECTRICAL
21	1	14334	NIPPLE, 1/2" x 4", BLACK
20	1	02381	BOX, HANDI-BOX, ELECTRICAL
19	2	14818	NUT, HEX, 1/4-20, S/S, FULL FINISH
18	4	14598	NUT, HEX, 8-32, ZINC PLATED
17	10	14874	NUT, HEX, 8-32, ZINC PLATED
16	2	23105	WASHER, SPLIT LOCK, 1/4", S/S
15	4	101337	WASHER, INTERNAL TOOTH LOCK, #8
14	10	23111	WASHER, INTERNAL TOOTH LOCK, #8
13	2	23110	WASHER, FLAT, 1/4" ID x .085" THK
12	1	19285	SCREW, ROUND HEAD, 1/4-20 x 1.5", S/S
11	8	19150	SCREW, ROUND HEAD SLOTTED, 8-32 x 1.25"
10	4	19149	SCREW, ROUND HEAD SLOTTED, 8-32 x 1.75"
9	2	19183	SCREW, ROUND HEAD SLOTTED, 8-32 x .75"
8	1	23198	CONTROL, WATER LEVEL
7	1	03524	RELAY, 120 V, 50/60HZ, AC, DPDT
6	1	03525	SOCKET, RELAY
5	1	44184	TERMINAL BLOCK ASM. - 4 POLE, GAS UNITS
4	1	20478	TIMER, SOLID STATE INTERVAL, 3 MINUTE
3	1	20258	TRANSFORMER - SPARK IGNITION SUPPLY
2	1	03548	CONTROL, MODULE, DIRECT SPARK IGNITION
1	1	44139	BOX, WELDMENT, ELECTRIC FOR GAS, 2 PROBE

THIS DESIGN DESCRIBES A PROPRIETARY ITEM AND IS THE PROPERTY OF CLEVELAND RANGE. THIS DRAWING IS NOT TO BE COPIED OR USED WITHOUT THE APPROVAL OF CLEVELAND RANGE.

TOLERANCES (EXCEPT AS NOTED)			
CLEVELAND RANGE INC. 1333 East 1781st St., Cleveland, Ohio 44110-2574			
DESIGNAL	SCALE	DRAWN BY	APPROVED BY
± N/A	3/8±1	E. GRIVEAS	
WORKMAN	TITLE		
± N/A	BOX, ELECTRIC ASSEMBLY W/INTERMITTENT BLOWDOWN, G	JOB#	
DATE	DRAWING NO.	REV	
2-15-94	C - 10092902		



ASSEMBLED VIEW



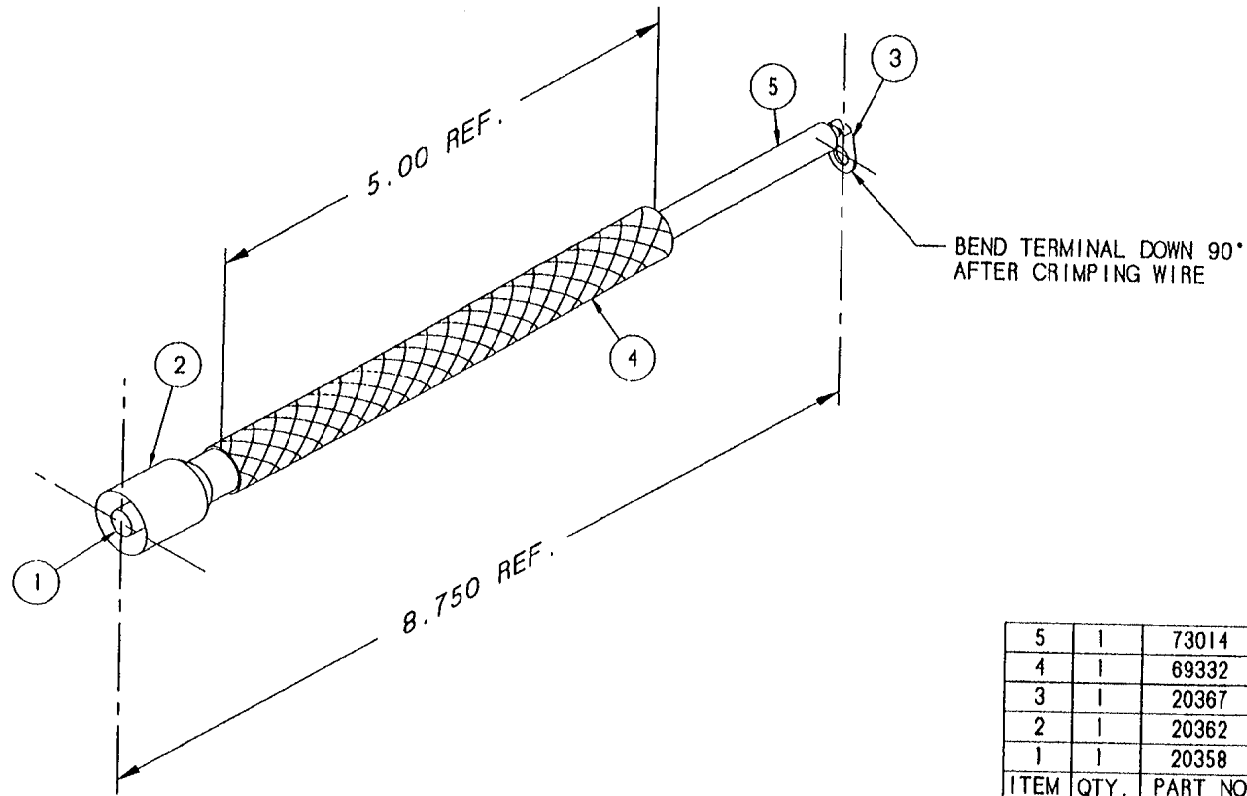
LET.	REVISIONS	DATE	BY
A	WAS C-44097	1-24-84	NEAL
B	ITEM 1 WAS C-52823, ECN 1054	3-6-86	DP
C	ADD P/N B-100314 FOR ITEM 6	3-12-86	DP
D	REDRAW WAS C SIZE, P/N 19163 WAS 19259, E.O. C-2558	2-7-94	EAG

7	1	68149	RETAINER, INSULATION
6	1	100314	INSULATION, IGNITOR BOX
5	5	23111	WASHER, LOCK, INTERNAL TOOTH, #6
4	2	19163	SCREW, #6-32 x .75" LG.
3	1	05101	ELECTRODE, COMBINATION IGNITOR/SENSOR
2	4	14874	NUT, #6-32, HEX
1	1	52808	BOX, IGNITOR, GEN. GAS, 2 PROBE
ITEM	QTY.	PART NO.	DESCRIPTION

TOLERANCES (EXCEPT AS NOTED)				CLEVELAND RANGE INC. 1333 East 179th St. Cleveland, Ohio 44110-2574			
DECIMAL ± N/A		SCALE 5/8=1		DRAWN BY E. LAWRENCE		APPROVED BY E. HENDESS	
ANGULAR ± N/A				TITLE BOX ASM, IGNITOR			
CK		DATE 12-6-94		DRAWING NO. B - 44096		REV. D	

THIS DESIGN DESCRIBES A PROPRIETARY ITEM AND IS THE PROPERTY OF CLEVELAND RANGE. THIS DRAWING IS NOT TO BE COPIED OR USED WITHOUT THE APPROVAL OF CLEVELAND RANGE.

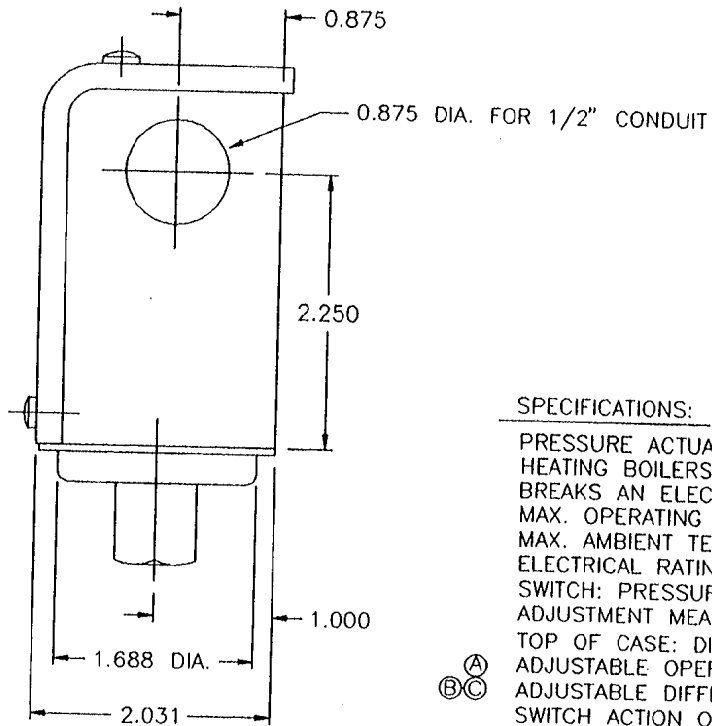
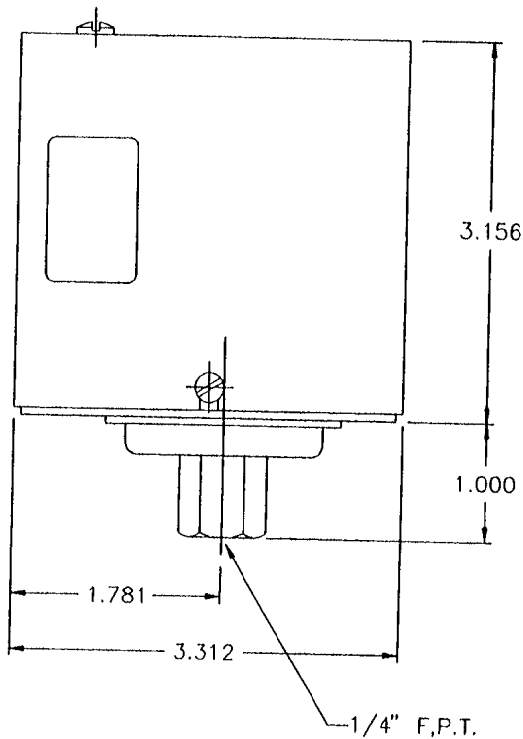
LET.	REVISIONS	DATE	BY
------	-----------	------	----



5	1	73014	WIRE, RADIX, 9" LONG
4	1	69332	SLEEVE, FIBERGLASS 5" INSULATING
3	1	20367	TERMINAL RING-#6, NON-INSULATED
2	1	20362	INSULATOR, RED SILICONE
1	1	20358	TERMINAL, IGNITION CABLE
ITEM	QTY.	PART NO.	DESCRIPTION

TOLERANCES (EXCEPT AS NOTED)		CLEVELAND RANGE INC. 1333 East 179th St. Cleveland, Ohio 44110-2574	
DECIMAL ± N/A	SCALE 1=1	DRAWN BY E. GRIVEAS	APPROVED BY
ANGULAR ± N/A	TITLE CABLE, IGNITION ASSEMBLY		
CK	DATE 11-09-93	DRAWING NO. B -44169	REV. -

THIS DESIGN DESCRIBES A PROPRIETARY ITEM AND IS THE PROPERTY OF CLEVELAND RANGE. THIS DRAWING IS NOT TO BE COPIED OR USED WITHOUT THE APPROVAL OF CLEVELAND RANGE.



LET.	REVISIONS	DATE	BY
A	REVISED ADJ. OPERATING RANGE SPEC.	11-28-84	RMC
-	WAS: 0.5 TO 9 PSI,	-	-
B	WAS: ADDITIVE DIFFERENTIAL	07-07-86	TS
C	WAS: ADJ. DIFFERENTIAL: 1 TO 5 PSI, E.O. #C-2276	07-31-92	CJP
D	MODEL NO. WAS PA404A (SUBTRACTIVE DIFFERENTIAL)	10-13-92	NLT
	E.O. #2276R1		

SPECIFICATIONS:

PRESSURE ACTUATED HIGH LIMIT SAFETY CONTROL FOR STEAM HEATING BOILERS.
 BREAKS AN ELECTRICAL CIRCUIT ON PRESSURE RISES.
 MAX. OPERATING PRESSURE: 20 PSI
 MAX. AMBIENT TEMPERATURE: 150° F.
 ELECTRICAL RATING: 8.0 F.L.A. AT 120V. AC
 SWITCH: PRESSURE ACTUATED SPST, SNAP-ACTION
 ADJUSTMENT MEANS: OPERATING RANGE SET POINT-SCREW ON TOP OF CASE; DIFFERENTIAL SET POINT-DIAL INSIDE OF CASE.
 ADJUSTABLE OPERATING RANGE: 3 TO 15 PSI.
 ADJUSTABLE DIFFERENTIAL: 1 TO 5 PSI; FACTORY SET AT 1 PSI
 SWITCH ACTION ON PRESSURE FALL: MAKES AT SET POINT MINUS DIFFERENTIAL.
 SWITCH ACTION ON PRESSURE RISE: BREAKS AT SET POINT.
 MOUNTING MEANS: 1/4" FEMALE PIPE THREADS

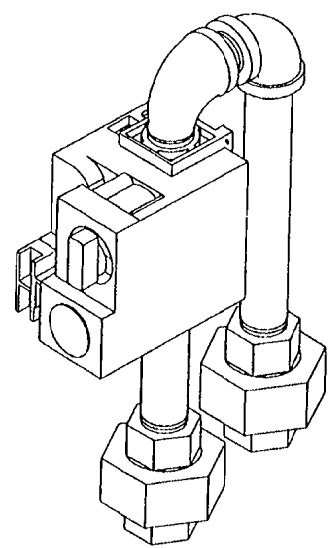
(A)
(B)
(C)

APPROVED SOURCE

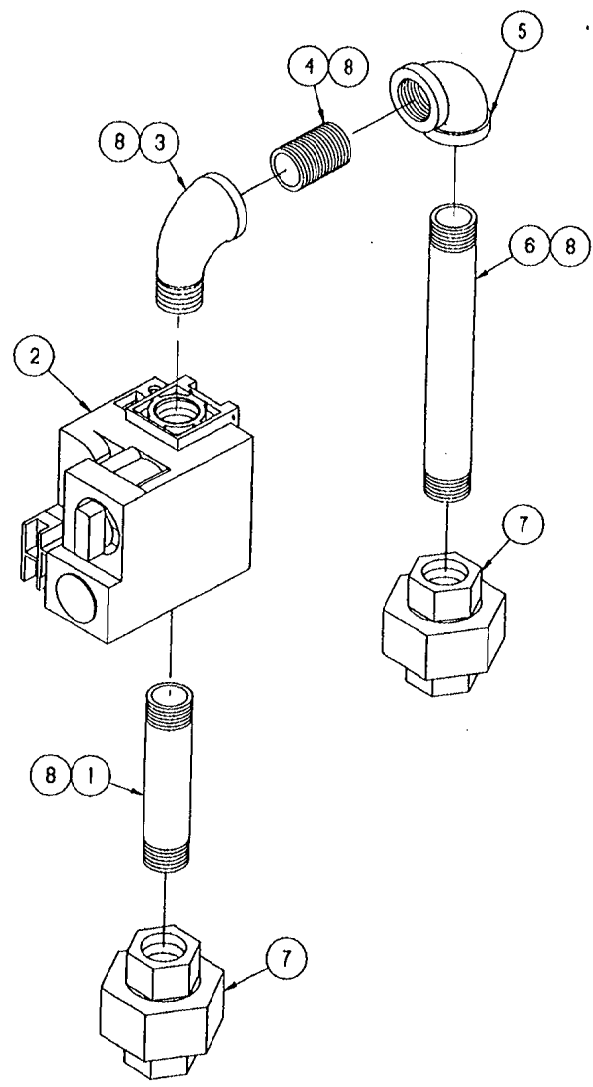
- HONEYWELL
 MODEL NO. PA404A-1066 Ⓢ
 U.L. FILE NO. MP466
 C.S.A. FILE NO. LR1620

THIS DESIGN DESCRIBES A PROPRIETARY ITEM AND IS THE PROPERTY OF CLEVELAND RANGE.
 THIS DRAWING IS NOT TO BE COPIED OR USED WITHOUT THE APPROVAL OF CLEVELAND RANGE.

ITEM	QTY	PART NO.	DESCRIPTION
TOLERANCES (EXCEPT AS NOTED)		CLEVELAND RANGE INC. 1333 East 179th St. Cleveland, Ohio 44110-2574	
DECIMAL ±	-	SCALE 1=1	DRAWN BY RJB APPROVED BY
ANGULAR ±	1'	TITLE CONTROL, PRESSURE	
AC	DATE 09-08-76	DRAWING NO. B-19947	REV D



ASSEMBLED VIEW



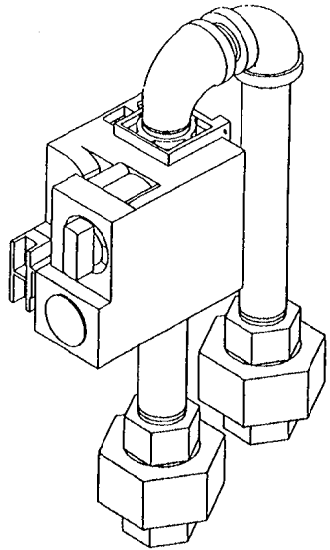
LET.	REVISIONS	DATE	BY
------	-----------	------	----

ITEM	QTY.	PART NO.	DESCRIPTION
8	A/R	00934	SEALANT, RECTORSEAL
7	2	21305	UNION, 3/4", BLACK
6	1	14362	NIPPLE, 3/4" x 7.5" LG., BLACK
5	1	05258	ELBOW, 3/4", 90°, BLACK
4	1	14343	NIPPLE, 3/4" x CLOSE, BLACK
3	1	05259	ELBOW, STREET, 90°, 3/4", BLACK
2	1	22230	VALVE, GAS CONTROL, NATURAL GAS
1	1	14347	NIPPLE, 3/4" x 3" LG., BLACK

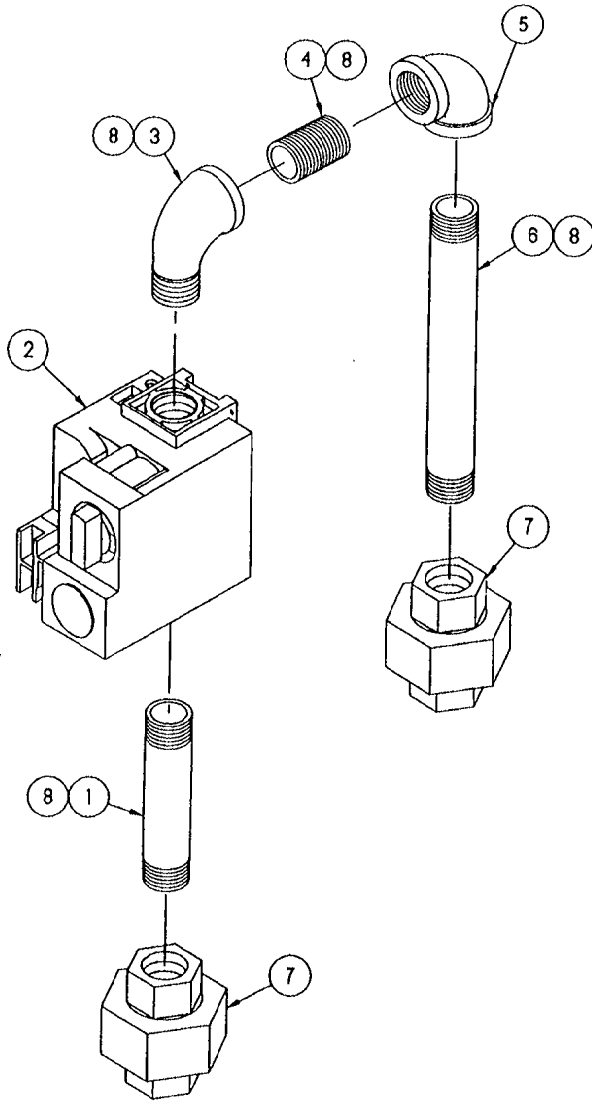
TOLERANCES (EXCEPT AS NOTED)		CLEVELAND RANGE INC. 1333 East 179th St. Cleveland, Ohio 44110-2574	
DECIMAL ± N/A	SCALE 3/8=1	DRAWN BY E. GRIVEAS	APPROVED BY NLT
ANGULAR ± N/A	TITLE VALVE ASSEMBLY, NATURAL GAS- 250/300 BTU		
CK	DATE 11-08-93	DRAWING NO. B - 43664	REV. -

THIS DESIGN DESCRIBES A PROPRIETARY ITEM AND IS THE PROPERTY OF CLEVELAND RANGE. THIS DRAWING IS NOT TO BE COPIED OR USED WITHOUT THE APPROVAL OF CLEVELAND RANGE.

LET.	REVISIONS	DATE	BY
------	-----------	------	----



ASSEMBLED VIEW



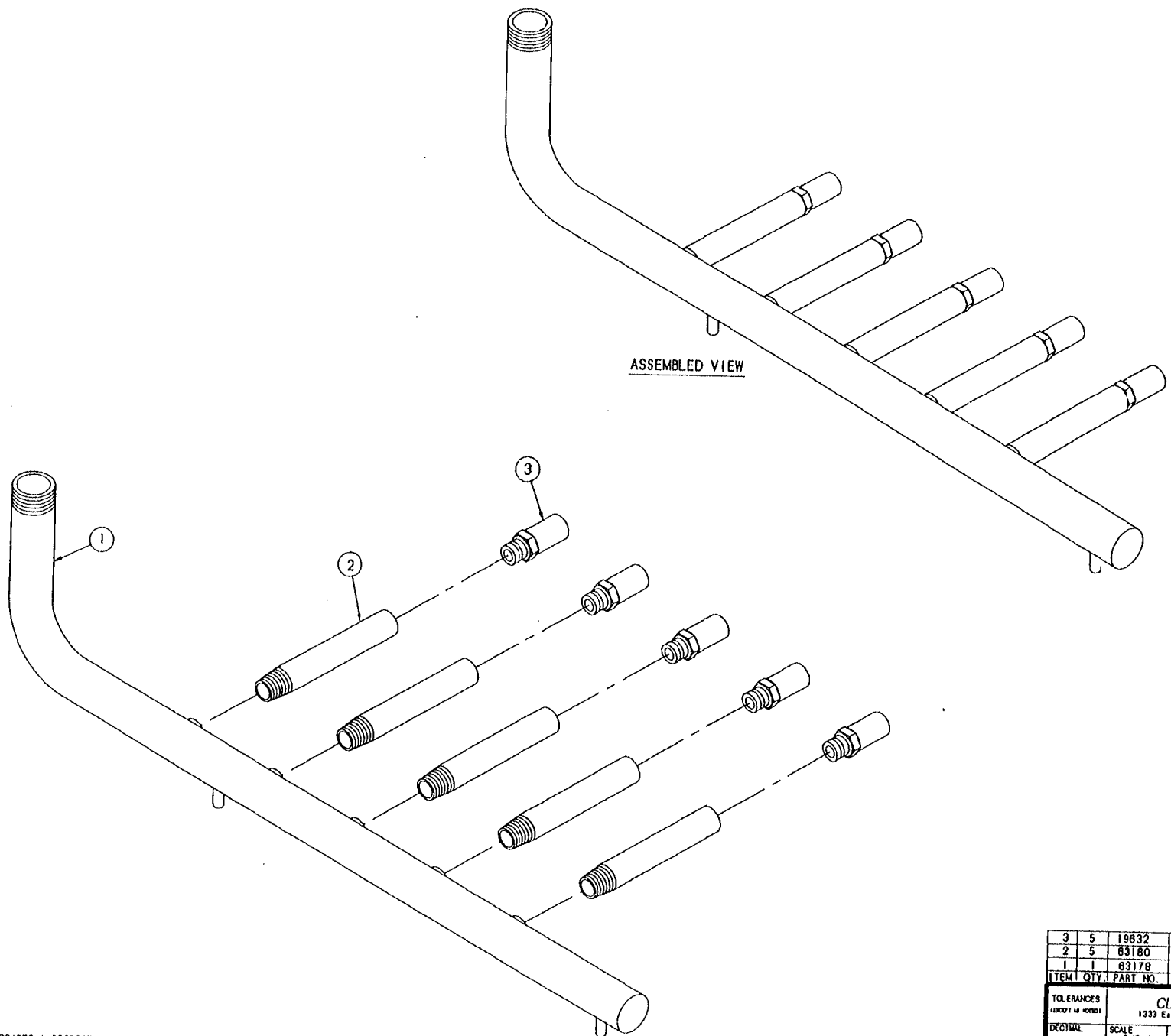
8	A/R	00934	SEALANT, RECTORSEAL
7	2	21305	UNION, 3/4", BLACK
6	1	14362	NIPPLE, 3/4" x 7.5" LG., BLACK
5	1	05258	ELBOW, 3/4", 90°, BLACK
4	1	14343	NIPPLE, 3/4" x CLOSE, BLACK
3	1	05259	ELBOW, STREET, 90°, 3/4", BLACK
2	1	22231	VALVE, GAS CONTROL FOR LP
1	1	14347	NIPPLE, 3/4" x 3" LG., BLACK

ITEM	QTY.	PART NO.	DESCRIPTION
------	------	----------	-------------

TOLERANCES (EXCEPT AS NOTED)		CLEVELAND RANGE INC. 1333 East 179th St. Cleveland, Ohio 44110-2574	
DECIMAL ± N/A	SCALE 3/8=1	DRAWN BY E. GRIVEAS	APPROVED BY NLT
ANGULAR ± N/A	TITLE VALVE ASSEMBLY, LIQUID PROPANE- 25' 300 BTU		
CK	DATE 11-09-93	DRAWING NO. B - 43674	REV. -

THIS DESIGN DESCRIBES A PROPRIETARY ITEM AND IS THE PROPERTY OF CLEVELAND RANGE. THIS DRAWING IS NOT TO BE COPIED OR USED WITHOUT THE APPROVAL OF CLEVELAND RANGE.

ASSEMBLED VIEW

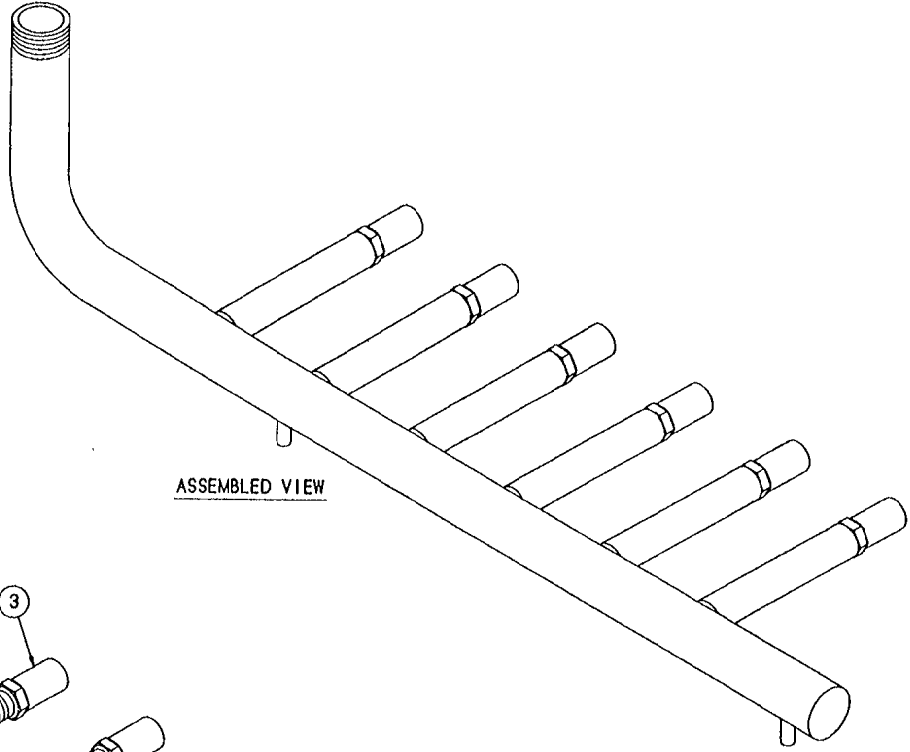


THIS DESIGN DESCRIBES A PROPRIETARY ITEM AND IS THE PROPERTY OF CLEVELAND RANGE. THIS DRAWING IS NOT TO BE COPIED OR USED WITHOUT THE APPROVAL OF CLEVELAND RANGE.

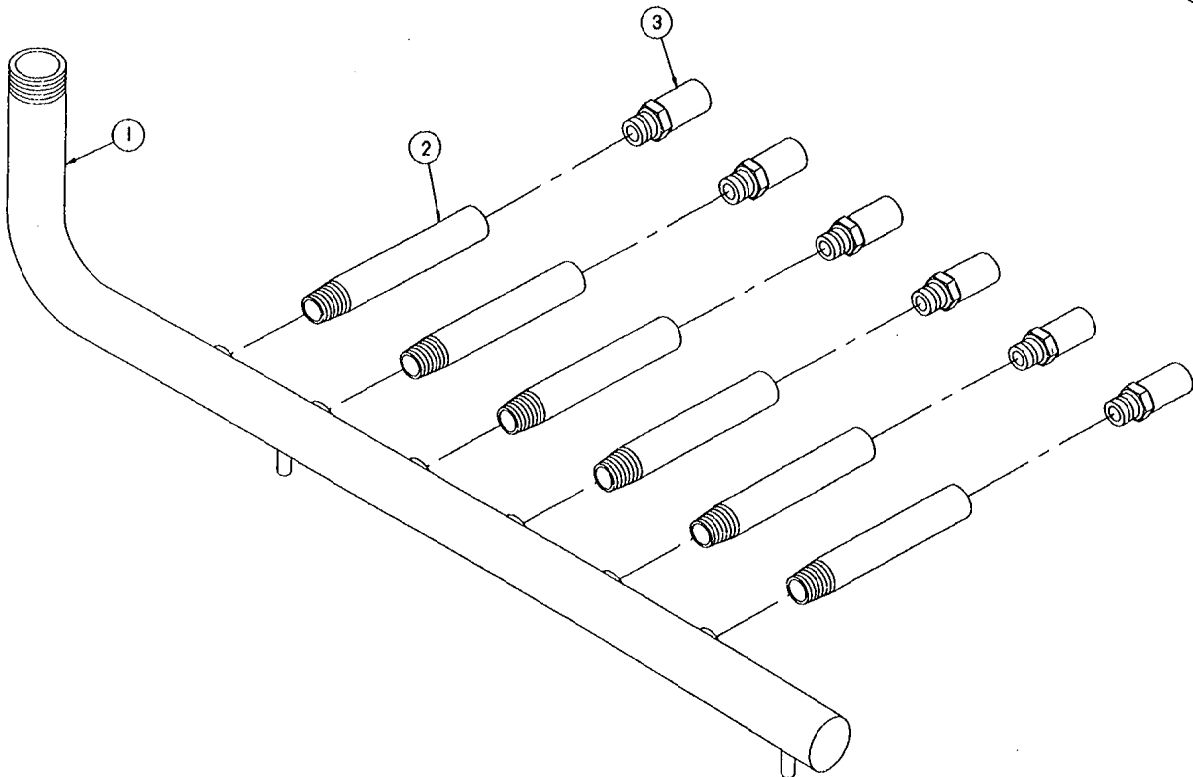
ITEM	QTY.	PART NO.	DESCRIPTION
3	5	19832	SPUDS, ORIFICE HOLDER, 5/8"
2	5	83180	EXTENSION, GAS MANIFOLD
1	1	83178	MANIFOLD, TUBE, 5 BURNER, GAS
			DESCRIPTION

TOLERANCES (UNLESS OTHERWISE SPECIFIED)			
DECIMAL	SCALE	DRAWN BY	APPROVED BY
+ N/A	5/8±1	E. GRIVEAS	NLT
ANGULAR	TITLE	MANIFOLD, ASSM, R/B	
+ N/A		5 BURNER, GAS, 250 KBTU	
OK	DATE	DRAWING NO.	REV.
	11-10-93	C - 40921	-

CLEVELAND RANGE INC.
1333 East 179th St. Cleveland, Ohio 44110-2574



ASSEMBLED VIEW



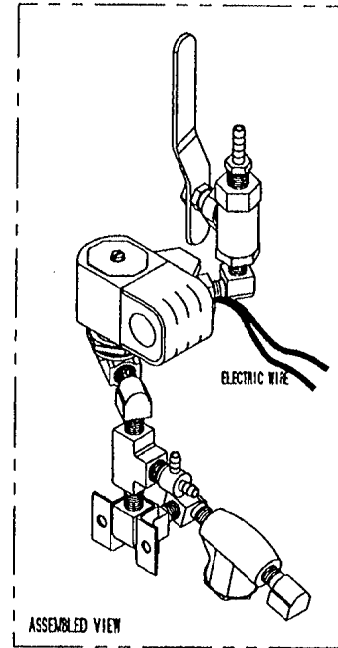
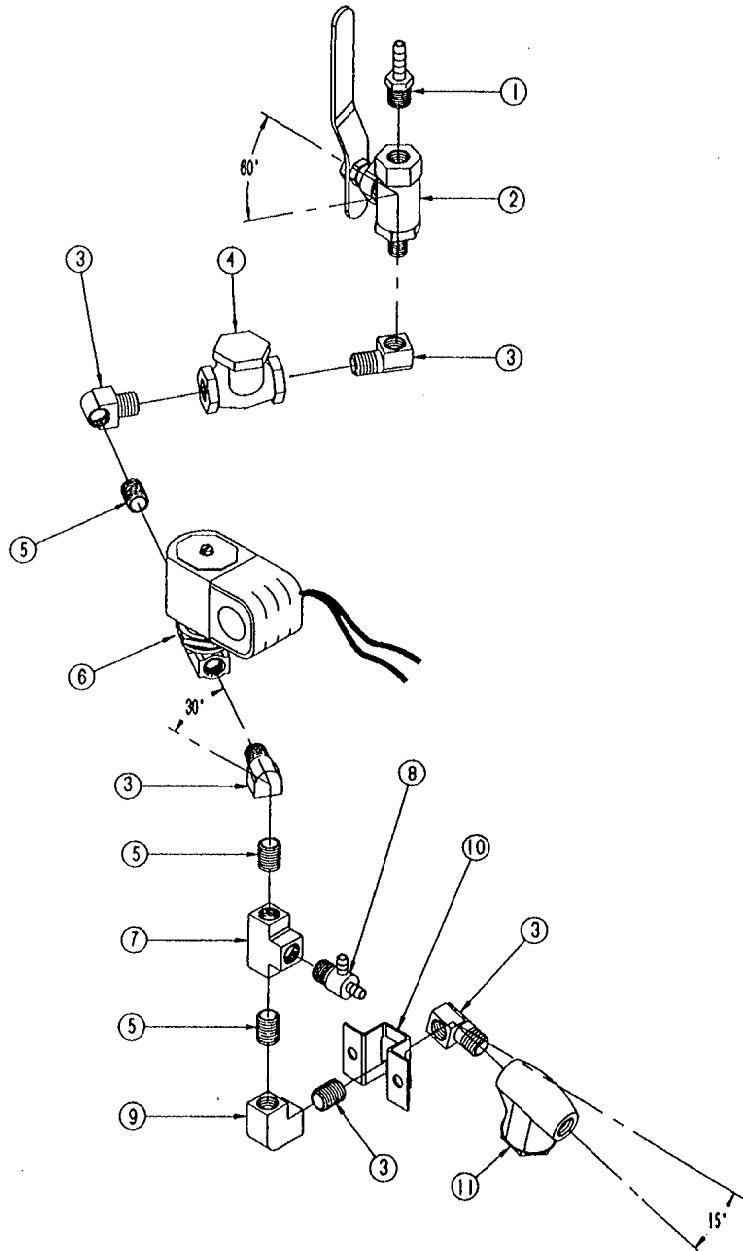
THIS DESIGN DESCRIBED
AND IS THE PROPERTY OF
THIS DRAWING IS NOT
WITHOUT THE APPROVAL OF CLEVELAND RANGE.

PROPRIETARY ITEM
/ELAND RANGE.
COPIED OR USED

3	6	19632	SPUDS, ORIFICE HOLDER, 5/8"
2	6	63180	EXTENSION, GAS MANIFOLD
1	1	63179	MANIFOLD, TUBE, & BURNER, GAS
ITEM	QTY.	PART NO.	DESCRIPTION

TOLERANCES (EXCEPT AS NOTED)			
DECIMAL	SCALE	CLEVELAND RANGE INC. 1333 East 179th St. Cleveland, Ohio 44110-2574	
± N/A	3/8±1	DRAWN BY E. GRI	APPROVED BY MLT
ANGULAR	TITLE	MANIFOLD, TUBE, & BURNER, GAS	
± N/A	± N/A	DATE	REV
		11 10 00	1

NOTE: 1. MOUNT P/N 100064 TO LOWER RIGHT FRONT CUSSET (BASE FRAME).



LET	DESCRIPTIONS	DATE	BY
G	ADDED 440702 PER E.O. C-1789	09-21-90	GS
H	P/N 08218 REMOVED FROM 440702 PER E.O. IC-1994	08-13-91	PJD
J	P/N 08195 REMOVED FROM 440702 PER E.O. IC-2082	11-26-91	SM
K	MOVED 440701 TO SEPERATE DRAWING	01-21-92	SM
L	NEW VALVE HOUSING ON P/N 22223 (PICTORIAL ONLY) E.O. IC-2221 RI	02-04-93	PJD
M	REMOVED ASSY 440702, P/N 104381 WAS 08218, P/N 108588 WAS 08195, PER E.O. IC-2448	08-22-93	EAG

SEE NOTE 1



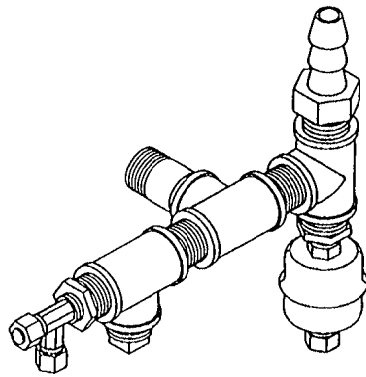
QTY.	ITEM	PART No.	DESCRIPTION
	11	19870	STRAINER, "V" 1/4
	1	100064	CLAMP, MOUNTING
	1	9	05236 ELBOW, 1/4 90° BRASS
	1	8	108588 TEE, 1/4" HOSE BARB
	1	7	20159 TEE, 1/4 BRASS
	1	6	22223 VALVE, SOLENOID 1/4 NPT 1G2001
	4	4	14301 NIPPLE, CLOSE 1/4 BRASS
	1	4	22102 VALVE, CHECK 1/4 NPT
	4	3	05235 ELBOW, STREET 1/4-90° BRASS
	1	2	03278 VALVE, BALL 1/4 NPT
	1	1	104381 FITTING, HOSE 1/4 H X 1/4 NPT

TOLERANCES (UNLESS OTHERWISE NOTED)			
DECIMAL	SCALE	DRAWN BY	APPROVED BY
± .001	1/2	ABDU	D.S.
ANGULAR	TITLE		
± 1°	PIPING ASSY., WATER FEED CONVECTION STEAMER ELECTRIC, AND GAS		
DATE	DRAWING NO.		REV.
OK 09-14-90	C- 44070		M

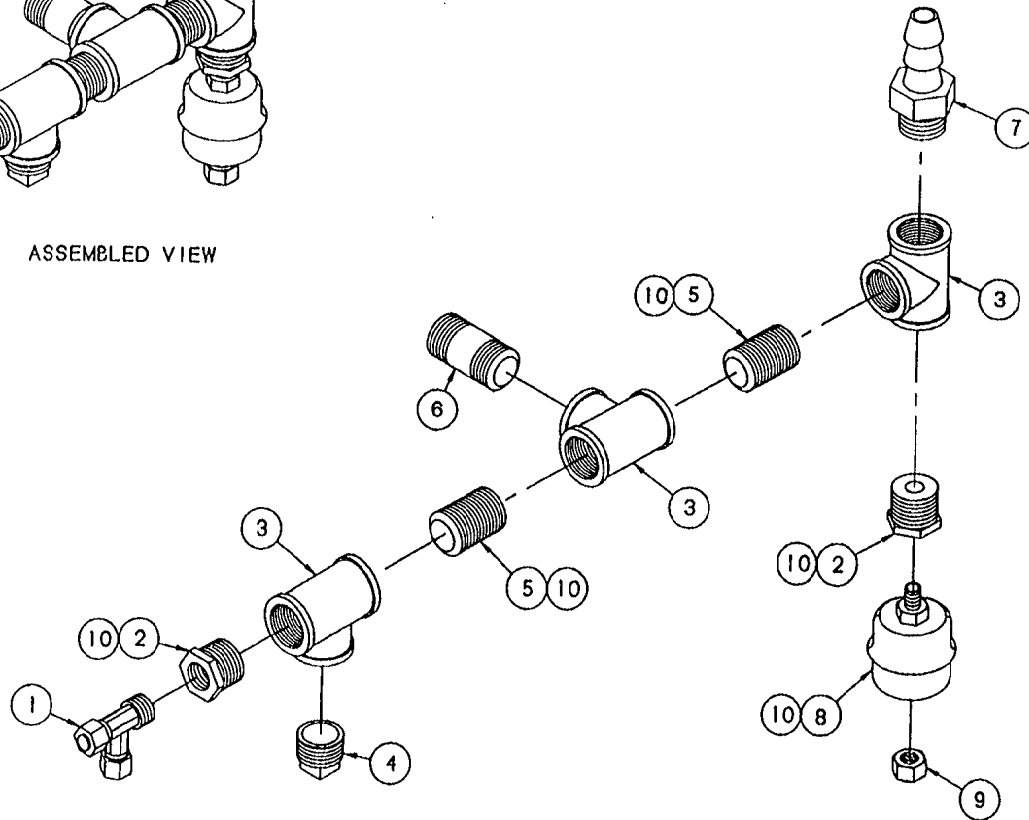
THIS DESIGN DESCRIBES A PROPRIETARY ITEM AND IS THE PROPERTY OF CLEVELAND RANGE. THIS DRAWING IS NOT TO BE COPIED OR USED WITHOUT THE APPROVAL OF CLEVELAND RANGE.

LET.

DATE BY



ASSEMBLED VIEW



ITEM	QTY.	PART NO.	DESCRIPTION
10	A/R	00934	SEALANT, RECTORSAL
9	1	14681	NUT, COMPRESSION, 1/4 TUBE, BRASS
8	1	101207	TRAP, THERMOSTATIC, 1/4" X 1/4"
7	1	08240	FITTING, HOSE BARB 3/4 HOSE X 3/4 MPT BRASS
6	1	14431	NIPPLE, 3/4 X 2, BRASS
5	2	14342	NIPPLE, 3/4 X CLOSE, BRASS
4	1	18807	PLUG, SQUARE HEAD, 3/4, BRASS
3	3	20298	TEE, 3/4 BRASS
2	2	02583	BUSHING, REDUCING, 3/4 X 1/4, BRASS
1	1	100883	FITTING, COMP., TEE 3/8T X 3/8MPT X 3/8T

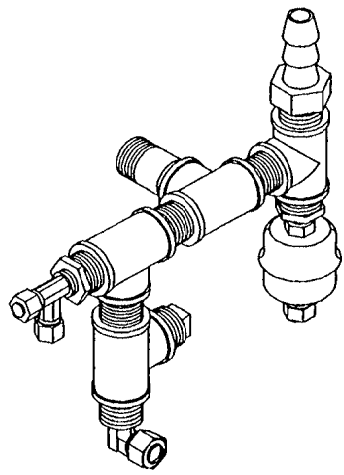
TOLERANCES
(EXCEPT AS NOTED)

CLEVELAND RANGE INC.

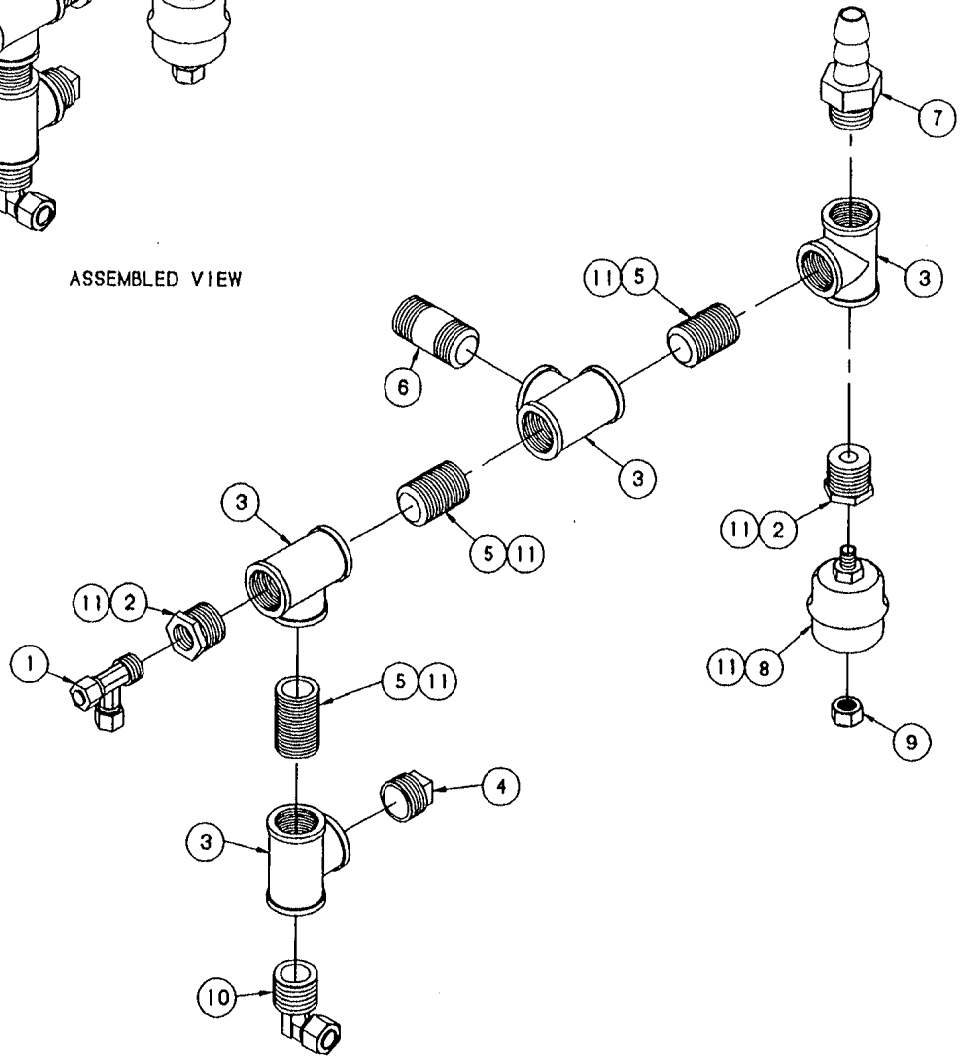
1333 East 179th St., Cleveland, Ohio 44110-2574

DECIMAL ± N/A	SCALE 1/2=1	DRAWN BY E. GRIVEAS	APPROVED BY NLT
ANGULAR ± N/A	TITLE STEAM OUTLET ASSEMBLY REV. BEND GENERAL	DATE 10-07-00	
DRAWING NO. C-100100		REV.	

THIS DESIGN DESCRIBES A PROPRIETARY ITEM AND IS THE PROPERTY OF CLEVELAND RANGE. THIS DRAWING IS NOT TO BE COPIED OR USED WITHOUT THE APPROVAL OF CLEVELAND RANGE.



ASSEMBLED VIEW



ITEM	QTY.	PART NO.	DESCRIPTION
11	A/R	00934	SEALANT, RECTORSEAL
10	1	06187	FITTING, COMPR., 90 DEG. 1/2T X 3/4MPT
9	1	14861	NUT, COMPRESSION, 1/4 TUBE, BRASS
8	1	101207	TRAP, THERMOSTATIC, 1/4" X 1/4"
7	1	06240	FITTING, HOSE BARB 3/4 HOSE X 3/4 MPT BRASS
6	1	14431	NIPPLE, 3/4 X 2, BRASS
5	3	14342	NIPPLE, 3/4 X CLOSE, BRASS
4	1	18607	PLUG, SQUARE HEAD, 3/4, BRASS
3	4	20208	TEE, 3/4 BRASS
2	2	02563	BUSHING, REDUCING, 3/4 X 1/4, BRASS
1	1	100883	FITTING, COMPR., TEE 3/8T X 3/8MPT X 3/8T

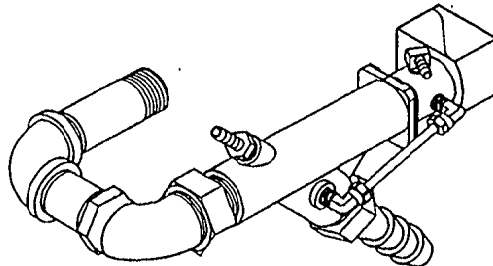
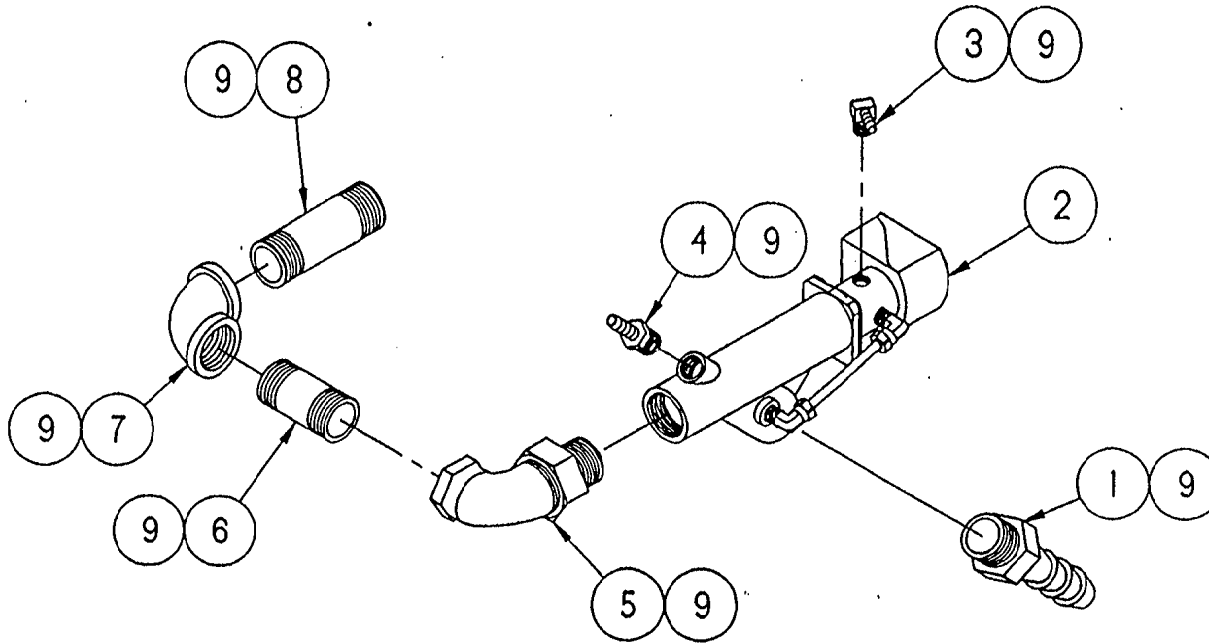
TOLERANCES (EXCEPT AS NOTED)			
CLEVELAND RANGE INC. 1333 East 179th St. Cleveland, Ohio 44110-2574			
DECIMAL ± N/A	SCALE 1/2=1	DRAWN BY D. DODSON	APPROVED BY MLT
ANGULAR ± N/A	TITLE STEAM OUTLET ASSY., 42CKEW/42CKGM REV. BEND GENERATOR		
CK	DATE 2-03-94	DRAWING NO. C - 428126	REV. -

THIS DESIGN DESCRIBES A PROPRIETARY ITEM AND IS THE PROPERTY OF CLEVELAND RANGE. THIS DRAWING IS NOT TO BE COPIED OR USED WITHOUT THE APPROVAL OF CLEVELAND RANGE.

NOTES:

1. ROTATE TOWARDS S/S NIPPLE ABOUT 45° FOR SMALL GAS PRESSURES (J).

LET	REVISIONS	DATE	BY
A	P/N 20208 WAS 20219. EO #2013	11-13-91	SM
B	ROTATED P/N 03277 & ADDED NOTE 1	01-18-92	SM
C	P/N 08210 WAS 08241, P/N 22241 WAS 22221, P/N 104381 WAS 08218, P/N 05280 WAS 05281, P/N 14495 WAS 14490, P/N 105787 ADDED, AND P/N/S 03277, 20208 & 14324 OMITTED PER E.O. #C-2448	08-18-93	PJO



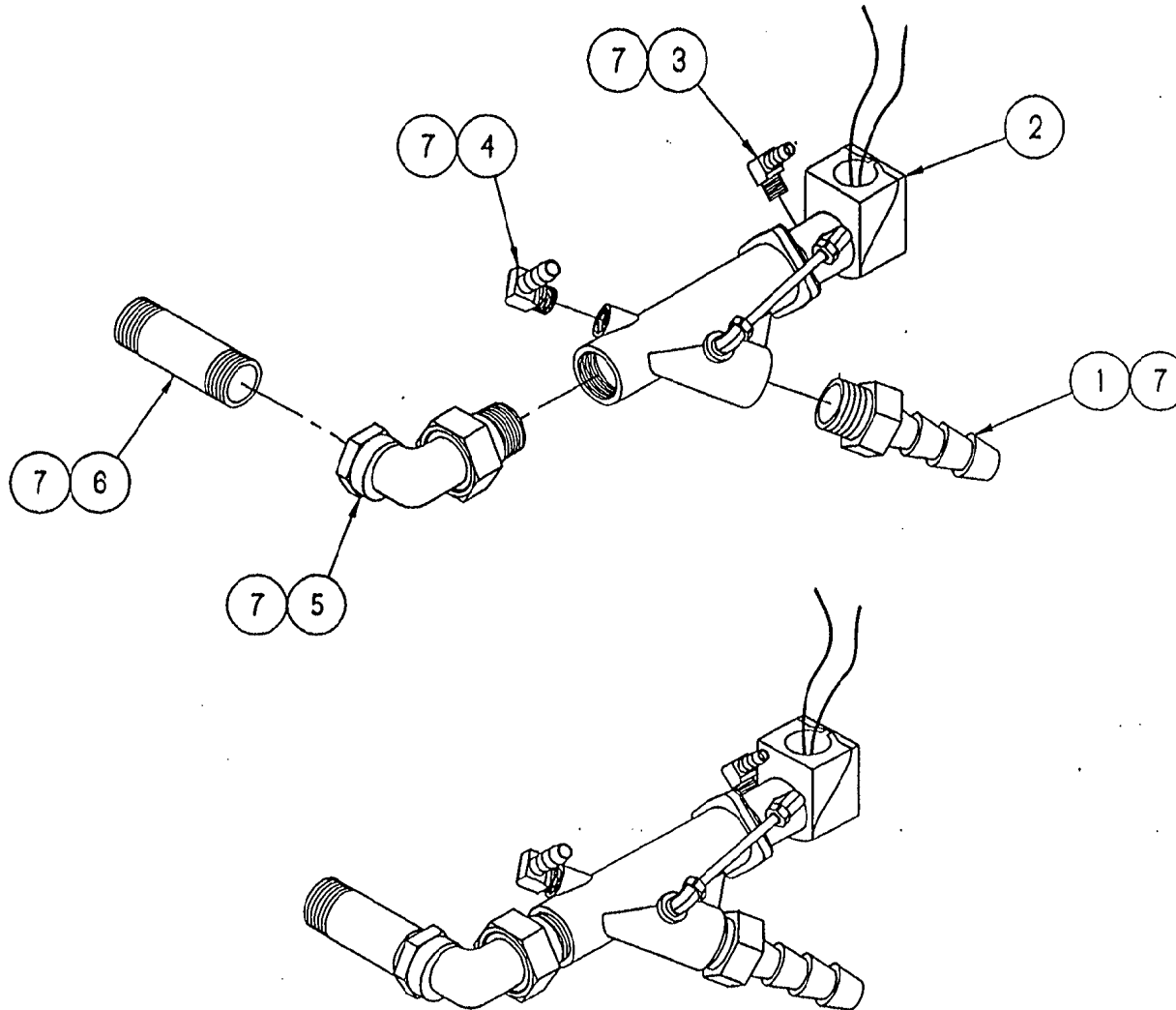
NO.	QTY.	PART NO.	DESCRIPTION
9	1	00931	SEALANT, RECTORSIL
8	1	14495	NIPPLE, 3/4 NPT X 3, S/S
7	1	05280	ELBOW, 3/4 X 3/4, 90°
6	1	14431	NIPPLE, 3/4 X 2, BRASS
5	1	05283	ELBOW, RADIATOR, 3/4 X 90°
4	1	104381	FITTING, HOSE BARB, 1/4 H X 1/4 NPT
3	1	105787	FITTING, HOSE BARB, 1/4 H X 1/8 NPT 90°
2	1	22241	VALVE, SOLENOID, 1/2", 15 PSI
1	1	05240	FITTING, HOSE BARB, 3/4 H X 3/4 NPT

CLEVELAND RANGE INC. 1333 East 179th St. Cleveland, Ohio 44110-2571			
DECIMAL ± N/A	SCALE N.P.S.	DRAWN BY S. MILEWSKI	APPROVED BY DJP
ANGULAR ± N/A	TITLE PIPING ASSEMBLY, BLOWDOWN 380CCH, 380CM16, 380PCCH, PCM		
CR	DATE 11-07-91	DRAWING NO. C - 408111	REV. C

THIS DESIGN DESCRIBES A PROPRIETARY ITEM AND IS THE PROPERTY OF CLEVELAND RANGE. THIS DRAWING IS NOT TO BE COPIED OR USED WITHOUT THE APPROVAL OF CLEVELAND RANGE.

NOTE:

1. ROTATE VALVE 45° (AS SHOWN) FOR 36PCEM.



ASSEMBLED UNIT

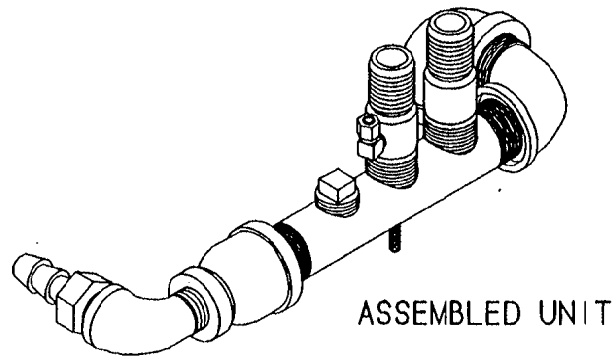
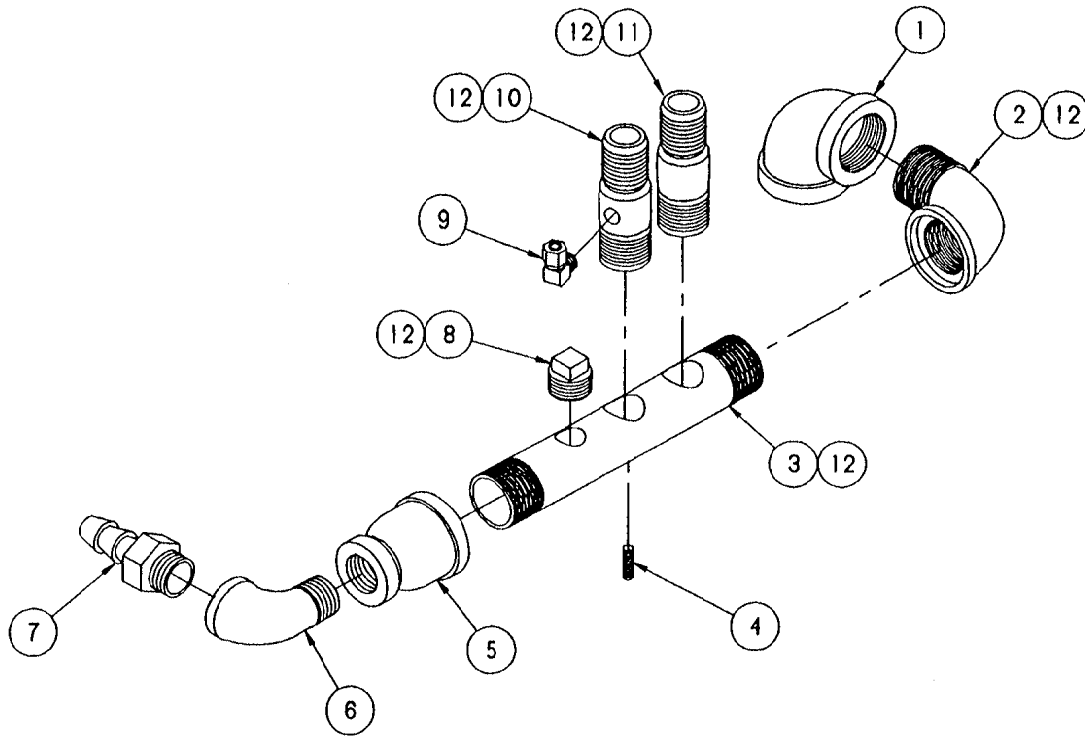
LET.	REVISIONS	DATE	BY
-	PRODUCTION RELEASE E.O. #C-2008	09-11-91	PJD
A	P/N 20208 WAS 20249 ADDED P/N 14990 & 00934 E.O. #C-2075	11-12-91	PJD
B	P/N 08240 WAS 08241, P/N 104381 WAS 08214, P/N 22244 WAS 22221, P/N/S 14328, 02568, 20208, 03277 & 14990 OMITTED, P/N/S 105787 & 14995 ADDED PER E.O. #C-2448	08-21-93	PJD

7	A/R	00934	SEALANT, RECTORSEAL
6	1	14995	NIPPLE, 3/4 NPT X 3' LG., 5/8
5	1	05263	ELBOW, UNION RADIATOR
4	1	105786	FITTING, HOSE BARB, 1/4" X 1/4" NPT, 90°
3	1	105787	FITTING, HOSE BARB, 1/4" H X 1/8" NPT, 90°
2	1	22244	VALVE, SOLENOID, 1/2", 15 PSI
1	1	08240	FITTING, HOSE BARB, 3/4" H X 3/4" NPT

NO.	QTY.	PART NO.	DESCRIPTION
TOLEANCES <small>(EXCEPT AS NOTED)</small>			
CLEVELAND RANGE INC. 1333 East 179th St. Cleveland, Ohio 44110-2574			
DECIMAL	SCALE	DRAWN BY	APPROVED BY
± N/A	5/8"=1"	DUTCHMAN	
ANGULAR	TITLE		
± N/A	PIPING ASSY, BLOWDOWN, 36CEM, 36PCEM, 36CEM16, 42CKEM, 42CKGM		
CK	DATE	DRAWING NO.	REV.
	09-11-91	C-1005121	D

THIS DESIGN DESCRIBES A PROPRIETARY ITEM AND IS THE PROPERTY OF CLEVELAND RANGE. THIS DRAWING IS NOT TO BE COPIED OR USED WITHOUT THE APPROVAL OF CLEVELAND RANGE.

LET.	REVISIONS	DATE	BY
-	PRODUCTION RELEASE E.O. #C-1994	08-23-91	PJD
A	P/N 14347 & 20205 OMITTED AND P/N 08240 WAS QTY. OF 2 PER E.O. #C-2448	08-22-93	PJD

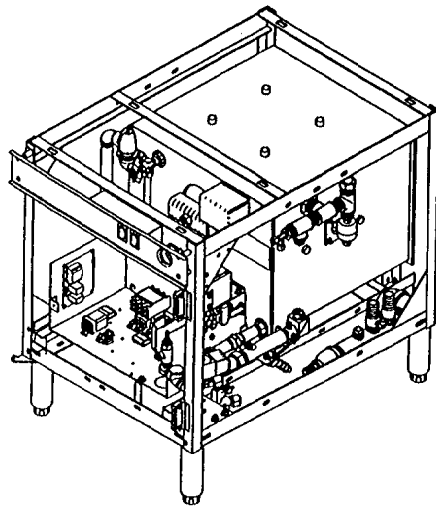


ITEM	QTY.	PART NO.	DESCRIPTION
12	A/R	00934	SEALANT, RECTORSEAL
11	1	14481	FITTING, BARB 1" H X 1" MPT S/S
10	1	585191	FITTING, HOSE, DRAIN MANIFOLD W/ 1/8 HOLE
9	1	08192	FITTING, COMP. 1/4 T X 1/8 MPT 90°
8	1	18808	PLUG, SQ. HEAD, 3/4" PIPE, BLACK
7	1	08240	FITTING, HOSE BARB 3/4 H X 3/4 MPT
6	1	05259	ELBOW, STREET 3/4 X 90°, BLACK
5	1	03816	COUPLING, RED. 1-1/2 X 3/4, BLACK
4	1	19917	STUD, WELD 1/4-20 X 7/8, S/S
3	1	13252	MANIFOLD, DRAIN 1-1/2 NPT, BLACK
2	1	05292	ELBOW, STREET 1-1/2 NPT X 90°, BLACK
1	1	05238	ELBOW, 1-1/2 NPT X 90°, BLACK

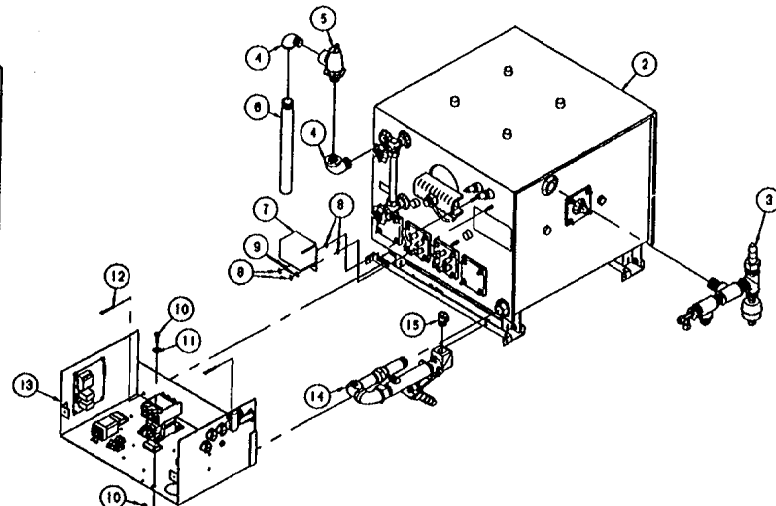
TOLERANCES (EXCEPT AS NOTED)		CLEVELAND RANGE INC. 1333 East 179th St. Cleveland, Ohio 44110-2574	
DECIMAL ± N/A	SCALE 1/2"	DRAWN BY E. J. D.	APPROVED BY
ANGULAR ± N/A	TITLE PIPING ASSEMBLY, DRAIN 38CGM/SM, 38CGM/LG, 38CEM, 24CSM, 38CSM		
CK	DATE 08-13-91	DRAWING NO. C - 31	REV. A

THIS DESIGN DESCRIBES A PROPRIETARY ITEM
AND IS THE PROPERTY OF CLEVELAND RANGE.
THIS DESIGN IS NOT TO BE COPIED OR USED
WITHOUT THE APPROVAL OF CLEVELAND RANGE.

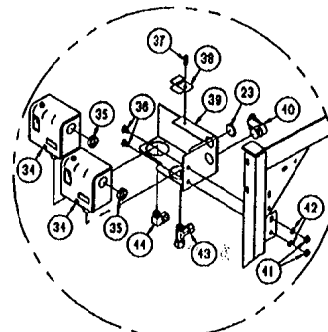
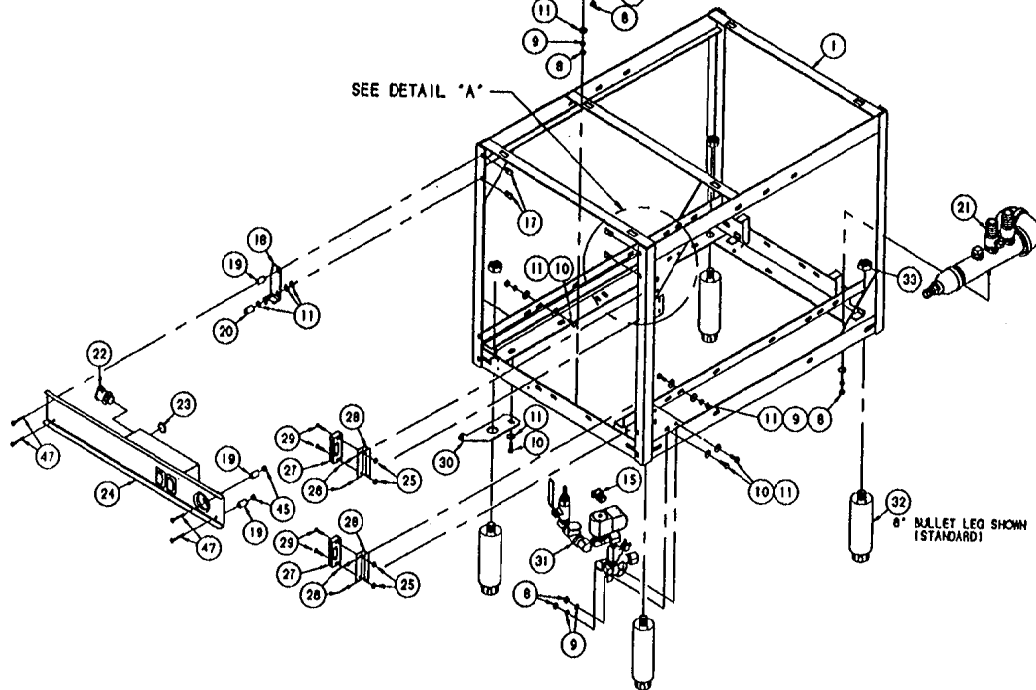
LET.	REVISIONS	DATE	BY
A	ADDED P/N 108898, P/N 23110 WAS	05-23-94	EAG
-	QTY(18), P/N 108899 WAS 14685		
-	PER E.O. #C-2843		



ASSEMBLED VIEW



SEE DETAIL 'A'



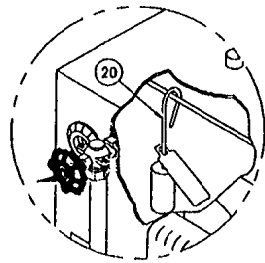
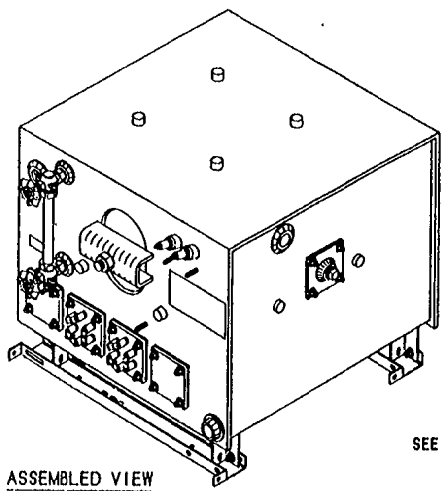
DETAIL A

THIS DESIGN DESCRIBES A PROPRIETARY ITEM AND IS THE PROPERTY OF CLEVELAND RANGE. THIS DRAWING IS NOT TO BE COPIED OR USED WITHOUT THE APPROVAL OF CLEVELAND RANGE.

NEXT ASS'Y: DFD0014

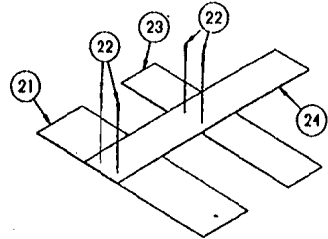
ITEM	QTY.	PART NO.	DESCRIPTION
47	4	108898	SCREW, TRUSS HD, P.H.P.S., 10-24 X 1-1/2
48	A/R	00934	SEALANT, RECTORSAL
45	2	19552	SPACER, .158 LONG
44	1	08196	FITTING, COMP, 3/8 X 1/4 IPT, 90°
43	1	100893	FITTING, COMP TEE 3/8 X 1/4 IPT X 3/4
42	2	23137	WASHER, LOCK INT. TOOTH, 1/4 5/8
41	2	14888	NUT, HEX JAM, 1/4-20, 5/8
40	1	105247	CONNECTOR, 1/2 X 90° SNAP-TITE
39	1	529241	BRACKET, PRESSURE SWITCH, GAS/ELECT
38	1	52499	BRACKET, PRESSURE SWITCH RETAINER
37	1	19146	SCREW, HEX WASHER HEAD, #10 X .5
36	2	19218	SCREW, HEX HEAD, 1/4-20 X .375 5/8
35	2	02599	BUSHING, INSULATING 3/8 X 1/2 HEYCO
34	2	19947	SWITCH, PRESSURE CONTROL
33	4	14888	NUT, HEX JAM 3/4-10 ZINC PLTD
32	4	08158	LEG BULLET 8"
31	1	44070	WATER FEED ASSY, REV BEND GEN
30	1	1026892	HINGE, LOWER LEFT HINGE
29	4	19206	SCREW, RD. HEAD 8-32 X 1 ZINC PLTD
28	2	53274	CLIP, MAGNET CATCH 5/8
27	2	03100	CATCH, MAGNETIC
26	A/R	18358	RIVET, 1/8 DIA. FLUSH BREAK 5/8
25	4	14874	NUT, HEX 8-32 ZINC PLATED
24	1	1048073	CONSOLE ASSY, ROOM 2 SWITCH
23	2	19329	PLUG, SNAP-IN 1/2" FOR 1/8" HOLE
22	1	105218	CONNECTOR, GREENFIELD 1/2 STRAIGHT
21	1	42749	DRAIN ASSEMBLY
20	1	195512	SPACER
19	3	19553	SPACER
18	1	412182	BRACKET, ASS'Y, TOP HINGE, L.S.
17	4	108899	NUT, SLIP ON, 10-24, TINNEMAN
16	1	52529	BRACKET, MOUNTING, ELECTRIC BOX
15	2	105249	CONNECTOR, GREENFIELD 3/8 STRAIGHT
14	1	40889	BLOWDOWN ASSY, 24CEM, ELECTRIC 'J'
13	1	NFX001	ELECTRIC BOX ASSEMBLY
12	2	19292	SCREW, ROUND HEAD, SLTD 1/4-20 X 1"
11	12	23110	WASHER, FLAT 1/4 X 5/8 X .085
10	7	19280	SCREW, HEX HEAD, 1/4-20 X 3/4
9	9	23105	WASHER, LOCK 1/4 KATLINK STYLE
8	11	14818	NUT, HEX 1/4-20 5/8
7	1	52305	BOX, PROBE COVER, 2 PROBES, A.C.S.
6	1	14487	HIPPLE, T.O.E., 3/4" X 8", BLACK
5	1	22131	VALVE, SAFETY, 3/4" IS PBI, BRONZE
4	2	03259	ELBOW, STREET, 3/4", 90° BLACK
3	1	428124	STEAM OUTLET ASSEMBLY
-	-	408201W1	ELECT GENERATOR W/REF PARTS 4 HEATA
2	-	408201W3	ELECT GENERATOR W/REF PARTS 3 HEATA
-	-	408201W2	ELECT GENERATOR W/REF PARTS 2 HEATA
-	-	411121	BASE, WELDMENT, ROOM, A.C.S.
1	-	41112	BASE WELDMENT, ROOM, 3/3

CLEVELAND RANGE INC.			
1333 East 179th St., Cleveland, Ohio 44110-3574			
DECIMAL	SCALE	DRAWN BY	APPROVED BY
± N/A	1/8"=1	E. GRIEYAS	M.T.
ANGULAR	TITLE	DATE	
± N/A	BASE ASSEMBLY, ELECTRIC GENERATOR ROOM, 24XW/38XW/48XW	10-08-93	
CK	DRAWING NO.	REV.	
	C - DFD0001	A	



DETAIL "A"
INSTALL ITEM 20 AS SHOWN
INSIDE GENERATOR

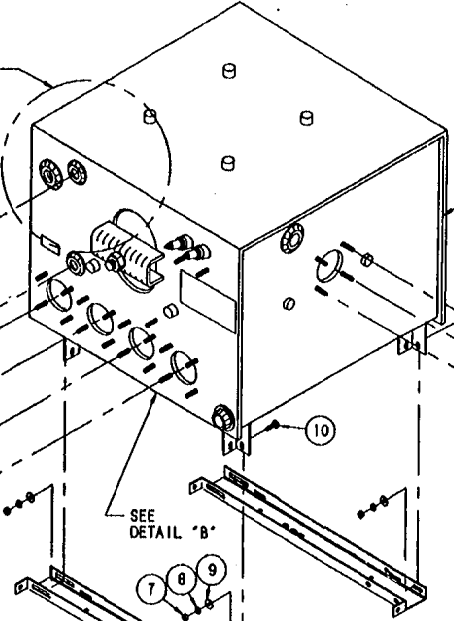
- NOTES:
- CHANNEL SUPPORT SHOWN (P/N 89966) IS USED ON 800MM BASE. CHANNEL SUPPORT NOT SHOWN (P/N 89967) IS USED ON 900 & 1050MM BASES.
 - 9KW HEATER IS RED LOBSTER UNITS ONLY.



PLACE BAFFLES ACROSS RODS
ON THE INSIDE OF GENERATOR
IN CONFIGURATION SHOWN

ASSEMBLED VIEW

SEE DETAIL "A"

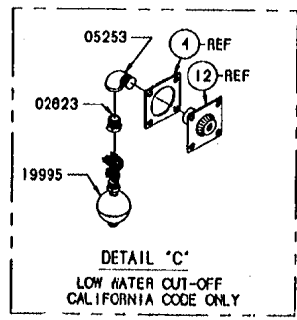


SEE DETAIL "C"
FOR CAL. CODE OPTION

SEE DETAIL "B"

SEE NOTE 2

SEE NOTE 1



DETAIL "C"
LOW WATER CUT-OFF
CALIFORNIA CODE ONLY

ITEM	QTY	PART NO.	DESCRIPTION
25	A/R	00934	SEALANT, RECTORSEAL
24	1	52165	BAFFLE, KEEPER, ELECTRIC BOILER
23	1	102384	BAFFLE, CENTER, ELECTRIC STEAM GEN
22	4	18328	PIN, COTTER, 1/16 X 1, BRASS
21	1	52165	BAFFLE, FRONT, ELECTRIC BOILER
20	1	43895	ANODE ASSM CORROSION PREVENTATIVE
19	2	19218	SCREW, HEX HEAD, 1/4-20 X 3/8 S/S
18	4	23151	WASHER, INTERNAL TOOTH LOCK, 1/4
17	1	82452	EXTENSION, WATER PROBE 1/2 X 3-1/8
16	1	82453	EXTENSION, WATER PROBE 1/2 X 4-5/8
15	2	18871	PROBE WARRICK, 4-5/16" LG
14	1	40421	HAND HOLD PLATE & BAR ASSEMBLY
13	1	18802	PLUG, SQUARE 1/2 PIPE, BLACK
12	1	41943	PLATE, MOUNTING
11	-	89966	SUPPORT, GEN MTG CHANNEL 800MM S/S
11	-	89967	SUPPORT, GEN MTG CHANNEL 900/1050MM
10	4	19288	SCREW, HEX HEAD, 1/4-20 X 3/4
9	24	23110	WASHER, FLAT, 1/4 S/S
8	24	23105	WASHER, LOCK MED. PAT., 1/4" S/S
7	24	14618	NUT, HEX, 1/4-20, S/S
6	2	16546	PLATE, BLOCK-OFF
2	2	08244	HEATER, 9 KW, 600 V, 1 PHASE
2	2	08243	HEATER, 9 KW, 440/480 V, 1 PHASE
2	2	08242	HEATER, 9 KW, 220/240 V, 1 PHASE
2	2	08241	HEATER, 9 KW, 208 V, 1 PHASE
2	2	08237	HEATER, 9 KW, 440/480 V, 3 PHASE
2	2	08236	HEATER, 9 KW, 220/240 V, 3 PHASE
2	2	08235	HEATER, 9 KW, 208 V, 3 PHASE
2	2	08234	HEATER, 9 KW, 600 V, 3 PHASE
2	2	08210	HEATER, 12 KW, 440/480 V, 1 PHASE
2	2	08215	HEATER, 12 KW, 230/240 V, 1 PHASE
2	2	08214	HEATER, 12 KW, 208/220 V, 1 PHASE
2	2	08197	HEATER, 12 KW, 220/380 V, 3 PHASE
2	2	08187	HEATER, 12 KW, 140, 480 V, 3 PHASE
2	2	08186	HEATER, 12 KW, 230/240 V, 3 PHASE
2	2	08185	HEATER, 12 KW, 208 V, 3 PHASE
2	2	08184	HEATER, 12 KW, 575 V, 3 PHASE
2	2	08183	HEATER, 12 KW, 600 V, 3 PHASE
2	2	08157	HEATER, 9 KW, 240/360 V, 3 PHASE
2	2	08156	HEATER, 9 KW, 240/415 V, 3 PHASE
2	2	08155	HEATER, 12 KW, 240/415 V, 3 PHASE
4	5	07128	GASKET, HEATER
3	1	07302	GAUGE, WATER, 5/8 X 8, GLASS
2	1	07176	GAUGE, FITTINGS, WATER, 1/2"
1	1	408201	GENERATOR, ASSY 2 PROBE ELECT

THIS DESIGN IS A PROPRIETARY ITEM OF CLEVELAND RANGE AND IS THE PROPERTY OF CLEVELAND RANGE. THIS DRAWING IS TO BE COPIED OR USED WITHOUT THE APPROVAL OF CLEVELAND RANGE.

DETAIL "B"

NEXT ASS'Y: DFD0001
DFE0002
DFP0003

TOLERANCES (EXCEPT AS NOTED)

SCALE: 3/16"=1"

DATE: 10-08-93

DRAWING NO.: C - 408201W2

REV: -

CLEVELAND RANGE INC.
1533 East 179th St., Cleveland, Ohio 44110-2571

DRAWN BY: E. GRIVETT

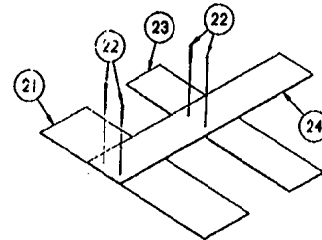
APPROVED BY:

TITLE: ELECTRIC GENERATOR PROBE

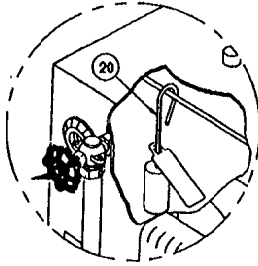
SEMBLY

NOTES:

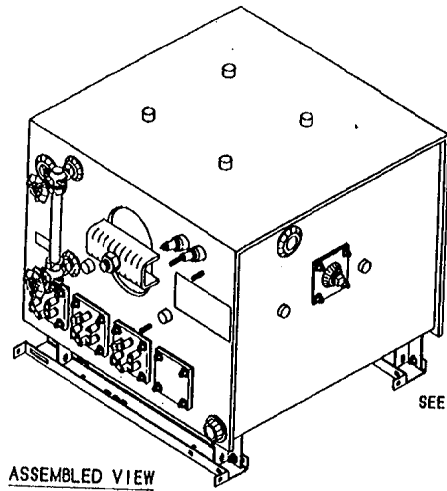
- CHANNEL SUPPORT SHOWN (P/N 89988) IS USED ON 600MM BASE. CHANNEL SUPPORT NOT SHOWN (P/N 89987) IS USED ON 900 & 1030MM BASES.



PLACE BAFFLES ACROSS RODS ON THE INSIDE OF GENERATOR IN CONFIGURATION SHOWN

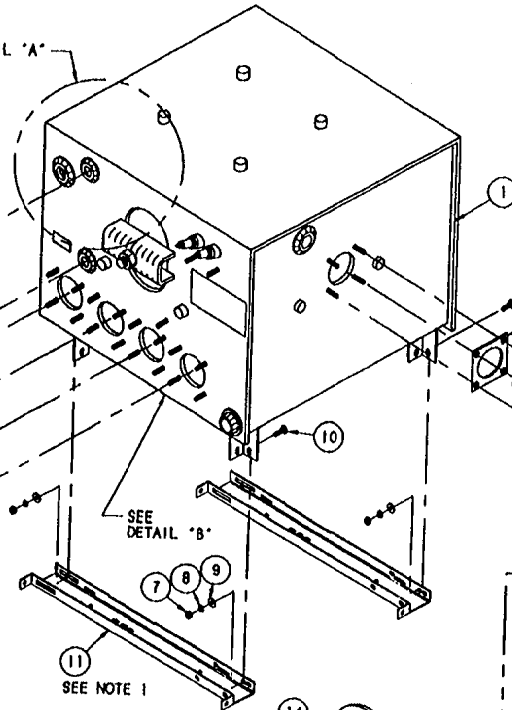


DETAIL "A"
INSTALL ITEM 20 AS SHOWN
INSIDE GENERATOR



ASSEMBLED VIEW

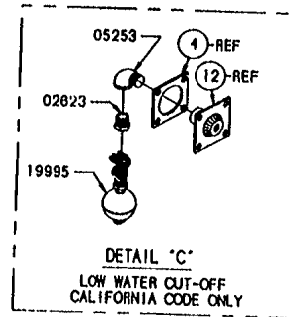
SEE DETAIL "A"



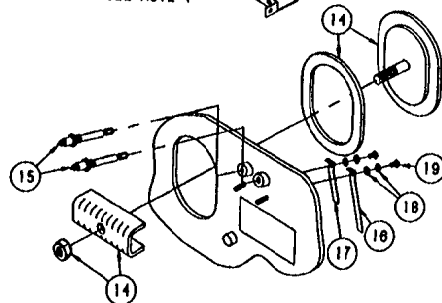
SEE DETAIL "C"
FOR CAL. CODE OPTION

SEE DETAIL "B"

SEE NOTE 1



DETAIL "C"
LOW WATER CUT-OFF
CALIFORNIA CODE ONLY



DETAIL "B"

ITEM	QTY	PART NO.	DESCRIPTION
25	1	00934	SEALANT, RECTORSEAL
24	1	52185	BAFFLE, KEEPER, ELECTRIC BOILER
23	1	102384	BAFFLE, CENTER, ELECTRIC STEAM GEN
22	4	18328	PIN, COTTER, 1/16 X 1, BRASS
21	1	52185	BAFFLE, FRONT, ELECTRIC BOILER
20	1	43895	ANODE ASSM CORROSION PREVENTATIVE
19	2	19218	SCREW, HEX HEAD, 1/4-20 X 3/8 S/S
18	4	23151	WASHER, INTERNAL TOOTH LOCK, 1/4
17	1	82452	EXTENSION, WATER PROBE 1/2 X 3-1/8
16	1	82453	EXTENSION, WATER PROBE 1/2 X 4-5/8
15	2	16871	PROBE WARRICK, 4-5/16" LG
14	1	40421	HAND HOLD PLATE & BAR ASSEMBLY
13	1	16802	PLUG, SQUARE 1/2 PIPE, BLACK
12	1	41943	PLATE, MOUNTING
11	-	89988	SUPPORT, GEN MTG CHANNEL 600MM S/S
10	-	89987	SUPPORT, GEN MTG CHANNEL 900/1030MM
9	4	19288	SCREW, HEX HEAD, 1/4-20 X 3/4
8	24	23116	WASHER, FLAT, 1/4 S/S
7	24	23105	WASHER, LOCK MED. PAT., 1/4" S/S
6	24	14818	NUT, HEX, 1/4-20, S/S
5	3	18546	PLATE, BLOCK-OFF
4	3	08197	HEATER, 12 KW, 220/380 V, 3 PHASE
3	3	08167	HEATER, 12 KW, 440,480 V, 3 PHASE
2	3	08188	HEATER, 12 KW, 230/240 V, 3 PHASE
1	3	08185	HEATER, 12 KW, 208 V, 3 PHASE
1	3	08183	HEATER, 12 KW, 600 V, 3 PHASE
1	3	08155	HEATER, 12 KW, 240/415 V, 3 PHASE
1	4	07128	GASKET, HEATER
1	3	07302	GAUGE, WATER, 5/8 X 0, GLASS
1	2	07176	GAUGE, FITTINGS, WATER, 1/2"
1	1	40820	GENERATOR, ASSY 2 PROBE ELECT

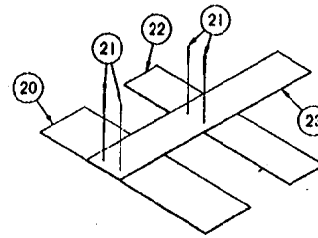
THIS DESIGN DESCRIBES A PROPRIETARY ITEM AND IS THE PROPERTY OF CLEVELAND RANGE. THIS DRAWING IS NOT TO BE COPIED OR USED WITHOUT THE APPROVAL OF CLEVELAND RANGE.

NEXT ASS'Y: DFD0001
DFE0002
DFF0003

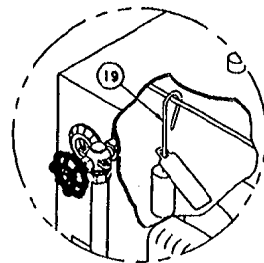
TOLERANCES (UNLESS AS NOTED)		CLEVELAND RANGE INC. 1323 East 178th St. Cleveland, Ohio 44110-2374	
DECIMAL ± N/A	ANGLE 3/16±	DRAWN BY E. GRIVEAS	APPROVED BY
AREALAN ± N/A	TITLE ELECTRIC GENERATOR ASSEMBLY 2 PROBE, 3 HEATER	DATE 10-08-93	REV. C - 408201WR

NOTES:

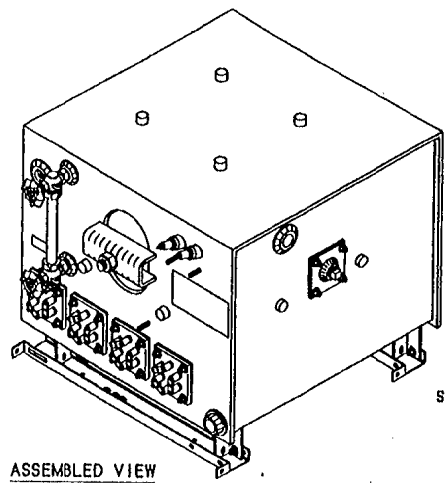
- CHANNEL SUPPORT SHOWN (P/N 69986) IS USED ON 600MM BASE. CHANNEL SUPPORT NOT SHOWN (P/N 69987) IS USED ON 900 & 1050MM BASES.



PLACE BAFFLES ACROSS RODS ON THE INSIDE OF GENERATOR IN CONFIGURATION SHOWN

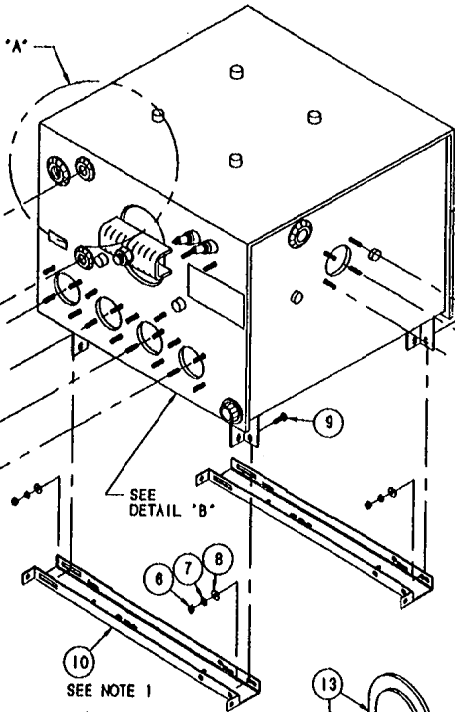


DETAIL 'A'
INSTALL ITEM 20 AS SHOWN INSIDE GENERATOR



ASSEMBLED VIEW

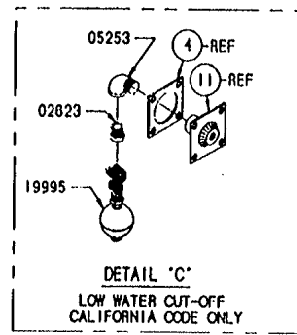
SEE DETAIL 'A'



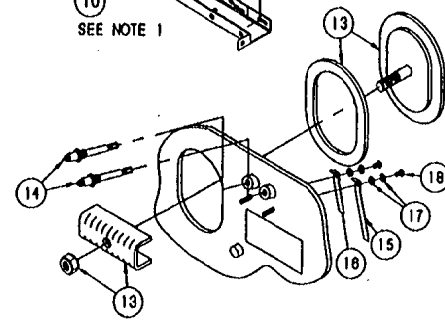
SEE DETAIL 'C' FOR CAL. CODE OPTION

SEE DETAIL 'B'

SEE NOTE 1



DETAIL 'C'
LOW WATER CUT-OFF CALIFORNIA CODE ONLY



DETAIL 'B'

ITEM	QTY	PART NO.	DESCRIPTION
24	1	00934	SEALANT, RECTORSEAL
23	1	52165	BAFFLE, KEEPER, ELECTRIC BOILER
22	1	102384	BAFFLE, CENTER, ELECTRIC STEAM GEN
21	4	16328	PIN, COTTER, 1/16 X 1, BRASS
20	1	52165	BAFFLE, FRONT, ELECTRIC BOILER
19	1	43895	ANODE ASSM CORROSION PREVENTATIVE
18	2	19218	SCREW, HEX HEAD, 1/4-20 X 3/8 S/S
17	4	29151	WASHER, INTERNAL TOOTH LOCK, 1/4
16	1	02452	EXTENSION, WATER PROBE 1/2 X 3-1/8
15	1	02453	EXTENSION, WATER PROBE 1/2 X 4-5/8
14	2	16871	PROBE WARRICK, 4-5/16" LG
13	1	40421	HAND HOLD PLATE & BAR ASSEMBLY
12	1	16802	PLUG, SQUARE 1/2 PIPE, BLACK
11	1	41943	PLATE, MOUNTING
10	-	69987	SUPPORT, GEN MTG CHANNEL 600MM S/S
9	4	19288	SCREW, HEX HEAD, 1/4-20 X 3/4
8	24	23116	WASHER, FLAT, 1/4 S/S
7	24	23105	WASHER, LOCK MED. PAT., 1/4" S/S
6	24	14818	NUT, HEX, 1/4-20, S/S
5	1	08197	HEATER, 12 KW, 220/380 V, 3 PHASE
4	1	08107	HEATER, 12 KW, 440/480 V, 3 PHASE
4	1	08168	HEATER, 12 KW, 230/240 V, 3 PHASE
4	1	08185	HEATER, 12 KW, 208 V, 3 PHASE
4	1	08184	HEATER, 12 KW, 575 V, 3 PHASE
4	1	08183	HEATER, 12 KW, 600 V, 3 PHASE
4	1	08155	HEATER, 12 KW, 240/415 V, 3 PHASE
4	5	07128	GASKET, HEATER
3	1	07302	GAUGE, WATER, 5/8 X 6, GLASS
2	1	07178	GAUGE, FITTINGS, WATER, 1/2"
1	1	408201	GENERATOR, ASSY 2 PROBE ELECT

THIS DESIGN IS A PROPRIETARY ITEM AND IS THE PROPERTY OF CLEVELAND RANGE. THIS DRAWING IS NOT TO BE COPIED OR USED WITHOUT THE APPROVAL OF CLEVELAND RANGE.

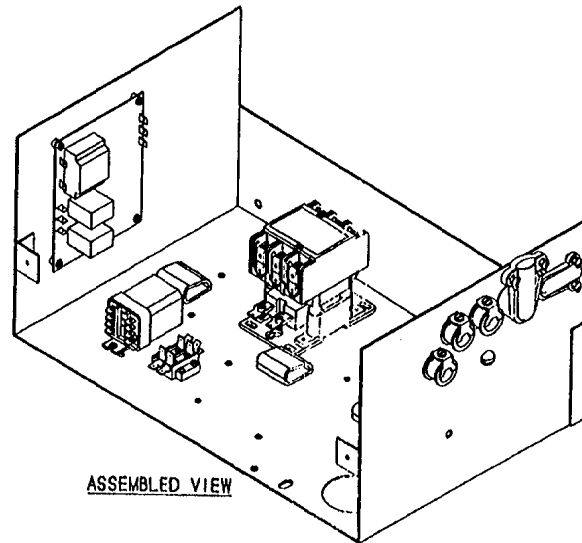
NEXT ASS'Y: DFD0001
DFE0002
DFP0003

CLEVELAND RANGE INC. 1333 East 178th St. Cleveland, Ohio 44110-2574			
DECIMAL # N/A	SCALE 3/16=1	DRAWN BY E. GRIVEAS	APPROVED BY
AREA/AN # N/A	TITLE ELECTRIC GENERA 2 PROBE, 4 i	WPLY	
DATE 10-06-93	DRAWING NO. C - 408201W4	REV	

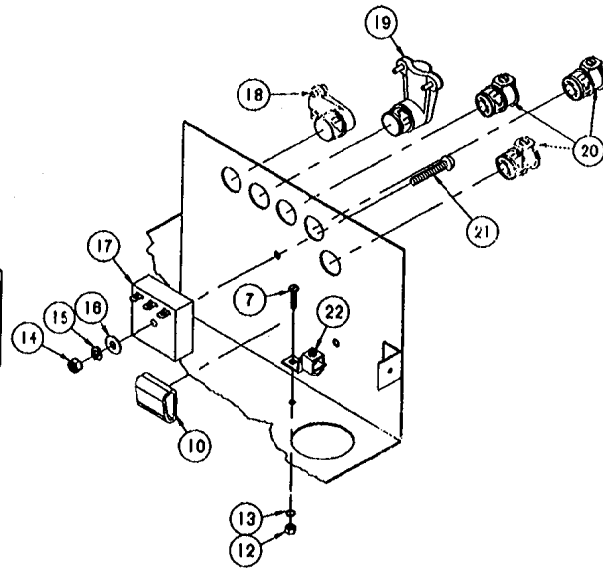
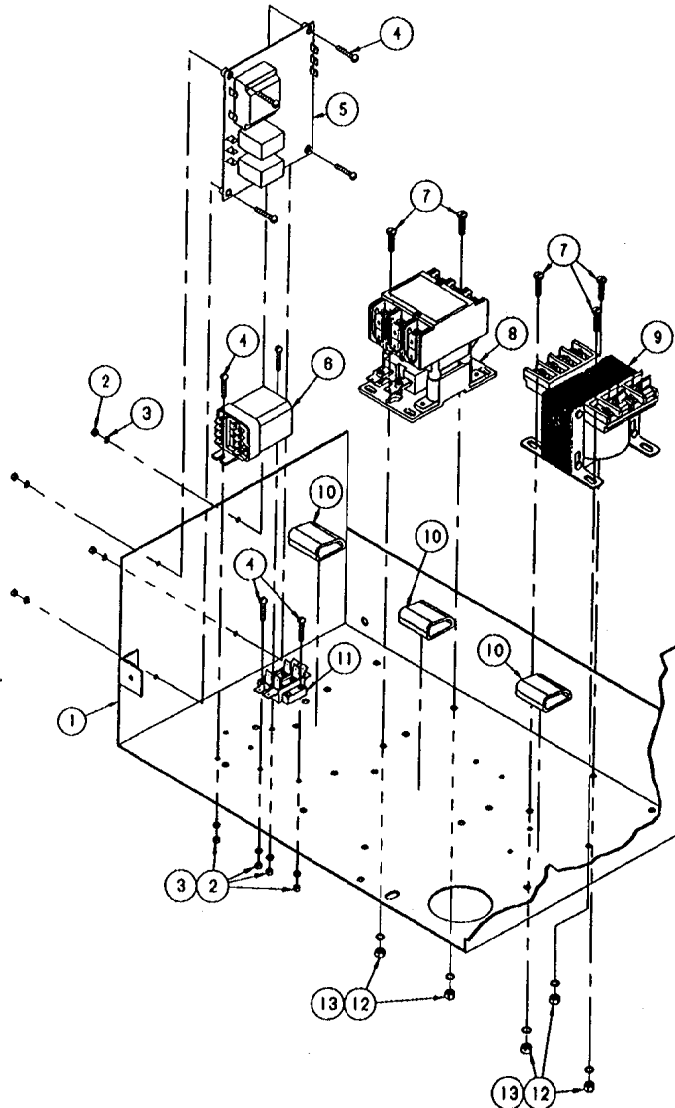
NOTE:

1. THIS DRAWING REFLECTS MOST COMMON CONFIGURATION OF ELECTRICAL BOX (24KW208V).
2. REFER TO DWG. NFX0002 FOR ELECTRIC BOX W/INTERMITTENT BLOWDOWN.

LET.	REVISIONS	DATE	BY
------	-----------	------	----



ASSEMBLED VIEW



INTERIOR RIGHT SIDE VIEW OF ELECTRICAL BOX, ROTATED 90°

ITEM	QTY.	PART NO.	DESCRIPTION
22	1	12331	LUG, GROUND, SOLDERLESS, FOR 2-GA. WIRE
21	1	19285	SCREW, ROUND HEAD, 1/4-20 X 1-1/2, S/S
20	3	105243	CONNECTOR, GREENFIELD 3/8" STRAIGHT
19	1	105247	CONNECTOR, GREENFIELD 1/2 X 90°SNAPTITE
18	1	105245	CONNECTOR, GREENFIELD 3/8 X 90°SNAPTITE
17	1	20478	TIMER, SOLID STATE INTERVAL 3 MINUTE
16	1	23116	WASHER, FLAT, 1/4" ID X .085 THK
15	1	23137	WASHER, LOCK, INT. TOOTH, 1/4", S/S
14	1	14818	NUT, HEX, 1/4-20, S/S, FULL FINISHED
13	8	23114	WASHER, LOCK INT. TOOTH #10 TYPE A OR B
12	8	14854	NUT, HEX #10-24 STEEL
11	1	44188	TERMINAL BLOCK ASM, 2 POLE
10	4	23432	CLIP, MOUNTING, WIRE/CABLE, 1.25 X 1.50
9	1	20535	TRANSFORMER, 150VA
8	1	03508	CONTACTOR, 3 POLE, 75 AMP, 208/204V
7	5	19287	SCREW, PAN HEAD, 10-24 X .50", S/S
6	1	108581	RELAY, 120V, ELECTRIC GENERATOR
5	1	23198	CONTROL, WATER LEVEL
4	8	19163	SCREW, ROUND HEAD SLTD, 8-32 X .75
3	8	23111	WASHER, LOCK, INT. TOOTH #6 ZINC PLTD
2	8	14874	NUT, HEX, 8-32, ZINC PLTD
1	1	40937	BOX, WELDMENT, ELECTRIC

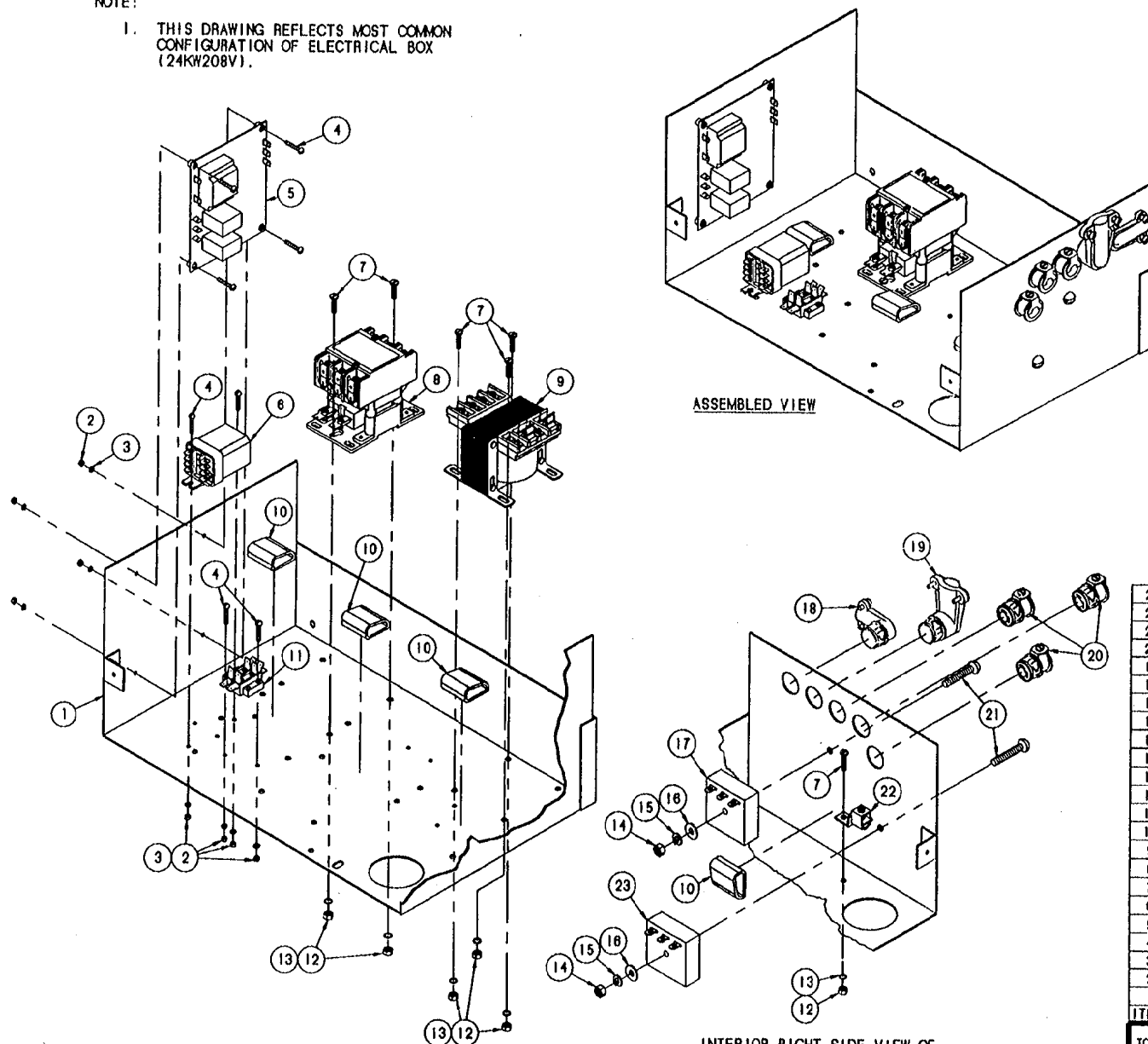
TOLERANCES (EXCEPT AS NOTED)		CLEVELAND RANGE INC.	
DECIMAL		1333 East 179th St. Cleveland, Ohio 44110-2574	
± N/A	SCALE 3/8=1	DRAWN BY E. GRIVEAS	APPROVED BY NLT
ANGULAR	TITLE	ELECTRIC BOX ASSEMBLY ELECTRIC GENERATOR	
± N/A	DATE	DRAWING NO.	REV.
CK	02-10-94	C - NFX0001	

THIS DESIGN DESCRIBES A PROPRIETARY ITEM AND IS THE PROPERTY OF CLEVELAND RANGE. THIS DRAWING IS NOT TO BE COPIED OR USED WITHOUT THE APPROVAL OF CLEVELAND RANGE.

NEXT ASSY: DFD0001
DFE0002
DIF0003

NOTE:

1. THIS DRAWING REFLECTS MOST COMMON CONFIGURATION OF ELECTRICAL BOX (24KW208V).



INTERIOR RIGHT SIDE VIEW OF ELECTRICAL BOX, ROTATED 90°

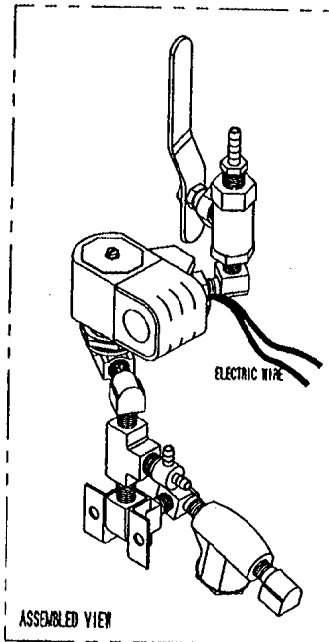
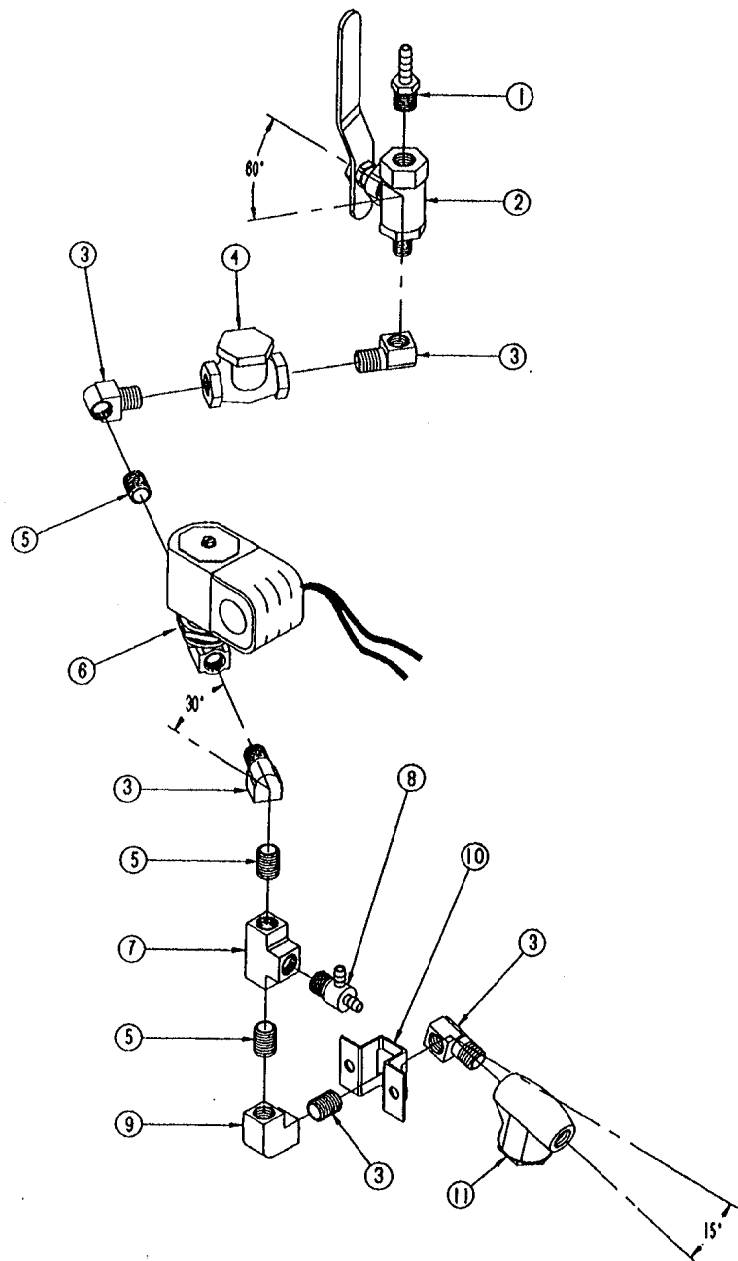
ITEM	QTY.	PART NO.	DESCRIPTION
23	1	104718	TIMER, RECYCLING, GENERATOR W/BLOWDOWN
22	1	12331	LUG, GROUND, SOLDERLESS, FOR 2-GA. WIRE
21	2	19285	SCREW, ROUND HEAD, 1/4-20 X 1-1/2, S/S
20	3	105249	CONNECTOR, GREENFIELD 3/8" STRAIGHT
19	1	105247	CONNECTOR, GREENFIELD 1/2 X 90°SNAPTITE
18	1	105245	CONNECTOR, GREENFIELD 3/8 X 90°SNAPTITE
17	1	20478	TIMER, SOLID STATE INTERVAL 3 MINUTE
16	2	23118	WASHER, FLAT, 1/4" ID X .065 THK
15	2	23137	WASHER, LOCK, INT. TOOTH, 1/4", S/S
14	2	14818	NUT, HEX, 1/4-20, S/S, FULL FINISHED
13	8	23114	WASHER, LOCK INT. TOOTH #10 TYPE A OR B
12	8	14854	NUT, HEX #10-24 STEEL
11	1	44168	TERMINAL BLOCK ASM. 2 POLE
10	4	23432	CLIP, MOUNTING, WIRE/CABLE, 1.25 X 1.50
9	1	20535	TRANSFORMER, 150VA
8	1	03508	CONTACTOR, 3 POLE, 75 AMP, 208/204V
7	5	19287	SCREW, PAN HEAD, 10-24 X .50", S/S
6	1	108581	RELAY, 120V, ELECTRIC GENERATOR
5	1	23198	CONTROL, WATER LEVEL
4	8	19183	SCREW, ROUND HEAD SLTD, 6-32 X .75
3	8	23111	WASHER, LOCK, INT. TOOTH #6 ZINC PLTD
2	8	14874	NUT, HEX, 6-32, ZINC PLTD
1	1	40937	BOX, WELDMENT, ELECTRIC

TOLERANCES (EXCEPT AS NOTED)		CLEVELAND RANGE INC. 1333 East 179th St. Cleveland, Ohio 44110-2574	
DECIMAL ± N/A	SCALE 3/8=1	DRAWN BY E. GRIVEAS	APPROVED BY NLT
ANGULAR ± N/A	TITLE ELECTRIC BOX ASSEMBLY W/INTERMITTENT BLOWDOWN, EL	GENERATOR	
CK	DATE 02-10-94	DRAWING NO. C - NFX0002	REV. -

THIS DESIGN / IS A PROPRIETARY ITEM AND IS THE P OF CLEVELAND RANGE. THIS DRAWING TO BE COPIED OR USED WITHOUT THE APPROVAL OF CLEVELAND RANGE.

OPTION FOR NEXT ASS'Y: DFD0001
DFE0002
DFF0003

NOTE: 1. MOUNT P/N 100064 TO LOWER RIGHT FRONT CUSSET (BASE FRAME).



LET	REVISIONS	DATE	BY
G	ADDED 440702 PER E.O. C-1789	09-21-90	GS
H	P/N 08218 REMOVED FROM 440702 PER E.O. #C-1994	08-13-91	PJD
J	P/N 08195 REMOVED FROM 440702 PER E.O. #C-2082	11-28-91	SM
K	MOVED 440701 TO SEPERATE DRAWING	01-21-92	SM
L	NEW VALVE HOUSING ON P/N 22223 (PICTORIAL ONLY) E.O. #C-2221 R1	02-04-93	PJD
M	REMOVED ASSY 410702, P/N 104381 WAS 08218, P/N 108588 WAS 08195, PER E.O. #C-2448	08-22-93	EAG

SEE NOTE 1

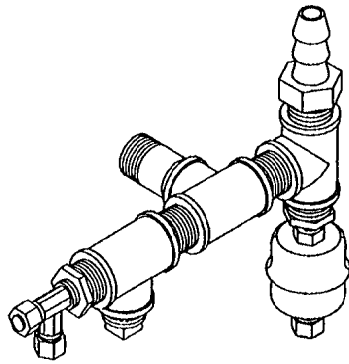
- ▲▲
- ▲
- ▲▲
- ▲▲▲

QTY.	ITEM	PART No.	DESCRIPTION
1	11	19870	STRAINER, "Y" 1/4"
1	10	100064	CLAMP, MOUNTING
1	9	05236	ELBOW, 1/4" 90° BRASS
1	8	108588	TEE, 1/4" ROSE BARB
1	7	20199	TEE, 1/4" BRASS
1	6	22223	VALVE, SOLENOID 1/4" NPT (CP200)
4	4	14304	HIPPLE, CLOSE 1/4" BRASS
1	4	22102	VALVE, CHECK 1/4" NPT
4	3	05235	ELBOW, STREET 1/4"-90° BRASS
1	2	09278	VALVE, BALL 1/4" NPT
1	1	104381	FITTING, ROSE 1/4" H X 1/4" NPT

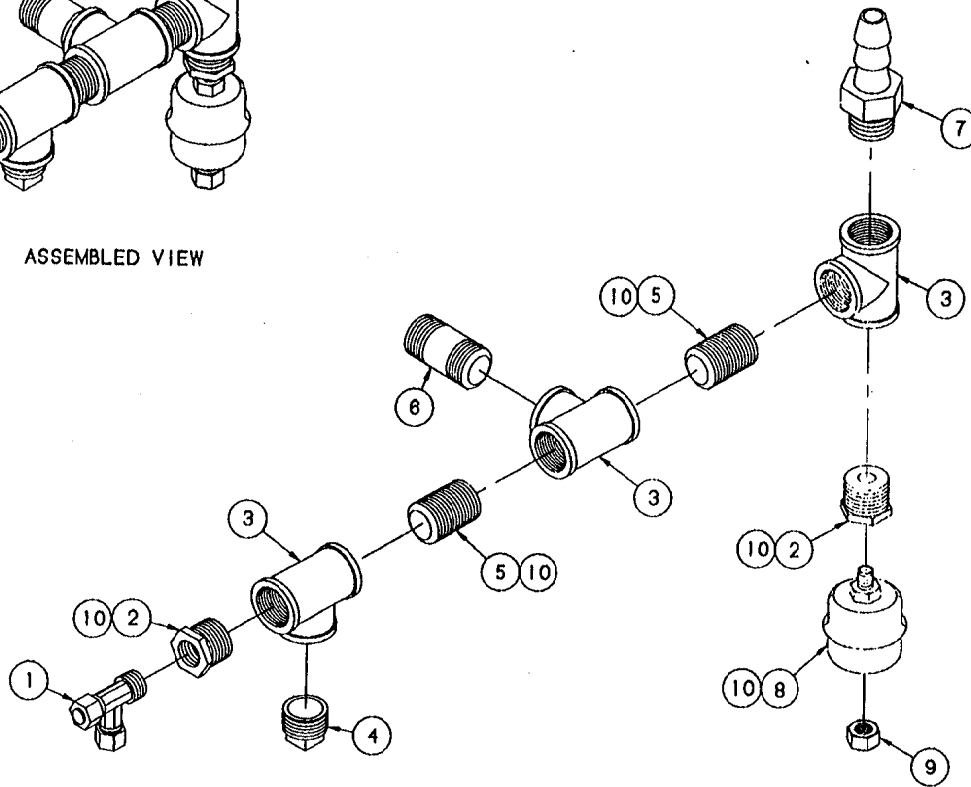
▲▲▲

THIS DESIGN DESCRIBES A PROPRIETARY ITEM AND IS THE PROPERTY OF CLEVELAND RANGE. THIS DRAWING IS NOT TO BE COPIED OR USED WITHOUT THE APPROVAL OF CLEVELAND RANGE.

TOLERANCES <small>(EXCEPT AS NOTED)</small>			
CLEVELAND RANGE INC. 1339 East 179th St. Cleveland, Ohio 44110-2574			
DECIMAL ± N/A	SCALE 1/2	DRAWN BY ANDJ	APPROVED BY D.S.
ANGULAR ± 1°	TITLE PIPING ASSY., WATER FEED CONVECTION STEAMER ELECTRIC, AND GAS		
CK	DATE 09-14-90	DRAWING NO. C- 44070	REV. M



ASSEMBLED VIEW



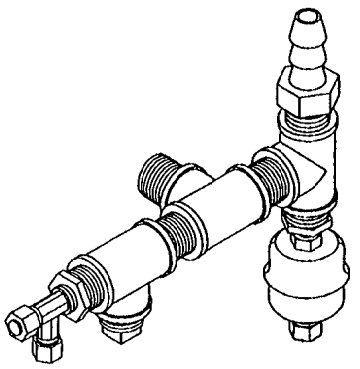
ITEM	QTY.	PART NO.	DESCRIPTION
10	A/R	00934	SEALANT, RECTORSEAL
9	1	14661	NUT, COMPRESSION, 1/4 TUBE, BRASS
8	1	101207	TRAP, THERMOSTATIC, 1/4" X 1/4"
7	1	08240	FITTING, HOSE BARB 3/4 HOSE X 3/4 NPT BRASS
6	1	14431	NIPPLE, 3/4 X 2, BRASS
5	2	14342	NIPPLE, 3/4 X CLOSE, BRASS
4	1	16607	PLUG, SQUARE HEAD, 3/4, BRASS
3	3	20208	TEE, 3/4 BRASS
2	2	02563	BUSHING, REDUCING, 3/4 X 1/4, BRASS
1	1	100883	FITTING, COMPR., TEE 3/8T X 3/8MPT X 3/8T

NEXT ASS'Y: DFE0002
 DFF0003
 DBE0005
 DBF0008
 DCE0007
 DCF0008
 DCE0009
 DCF0010

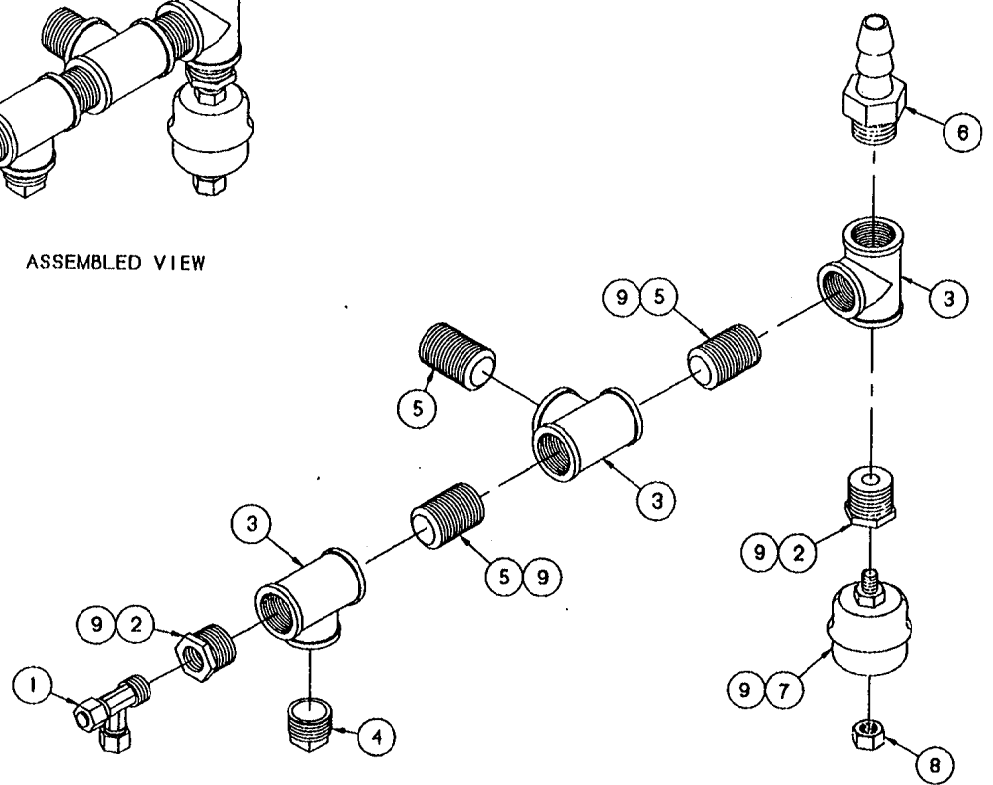
THIS DESIGN DESCRIPTION IS THE PROPERTY OF CLEVELAND RANGE. THIS DRAWING IS UNLAWFULLY COPIED OR USED WITHOUT THE APPROVAL OF CLEVELAND RANGE.

PROPRIETARY ITEM
 CLEVELAND RANGE.
 COPIED OR USED
 CLEVELAND RANGE.

TOLERANCES (EXCEPT AS NOTED)			
CLEVELAND RANGE INC. 1333 East 179th St. Cleveland, Ohio 44110-2574			
DECIMAL ± N/A	SCALE 1/2±1	DRAWN BY E. GRIVEAS	APPROVED BY NLT
ANGULAR ± N/A	TITLE STEAM OUTLET ASSEMBLY ELECTRIC GENERATOR		
CK	DATE 10-07-93	DRAWING NO. C - 428124	REV -



ASSEMBLED VIEW

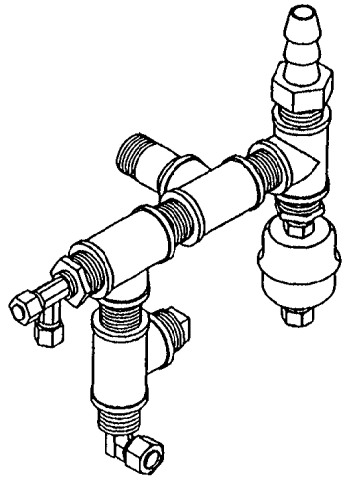


ITEM	QTY.	PART NO.	DESCRIPTION
9	A/R	00934	SEALANT, RECTORS SEAL
8	1	14661	NUT, COMPRESSION, 1/4 TUBE, BRASS
7	1	101207	TRAP, THERMOSTATIC, W/POL SEAT
6	1	08240	FITTING, HOSE BARB 3/4 HOSE X 3/4 MPT BRASS
5	3	14342	NIPPLE, 3/4 X CLOSE, BRASS
4	1	18807	PLUG, SQUARE HEAD, 3/4, BRASS
3	3	20206	TEE, 3/4 BRASS
2	2	02563	BUSHING, REDUCING, 3/4 X 1/4, BRASS
1	1	100883	FITTING, COMPR., TEE 3/8T X 3/8MPT X 3/8T

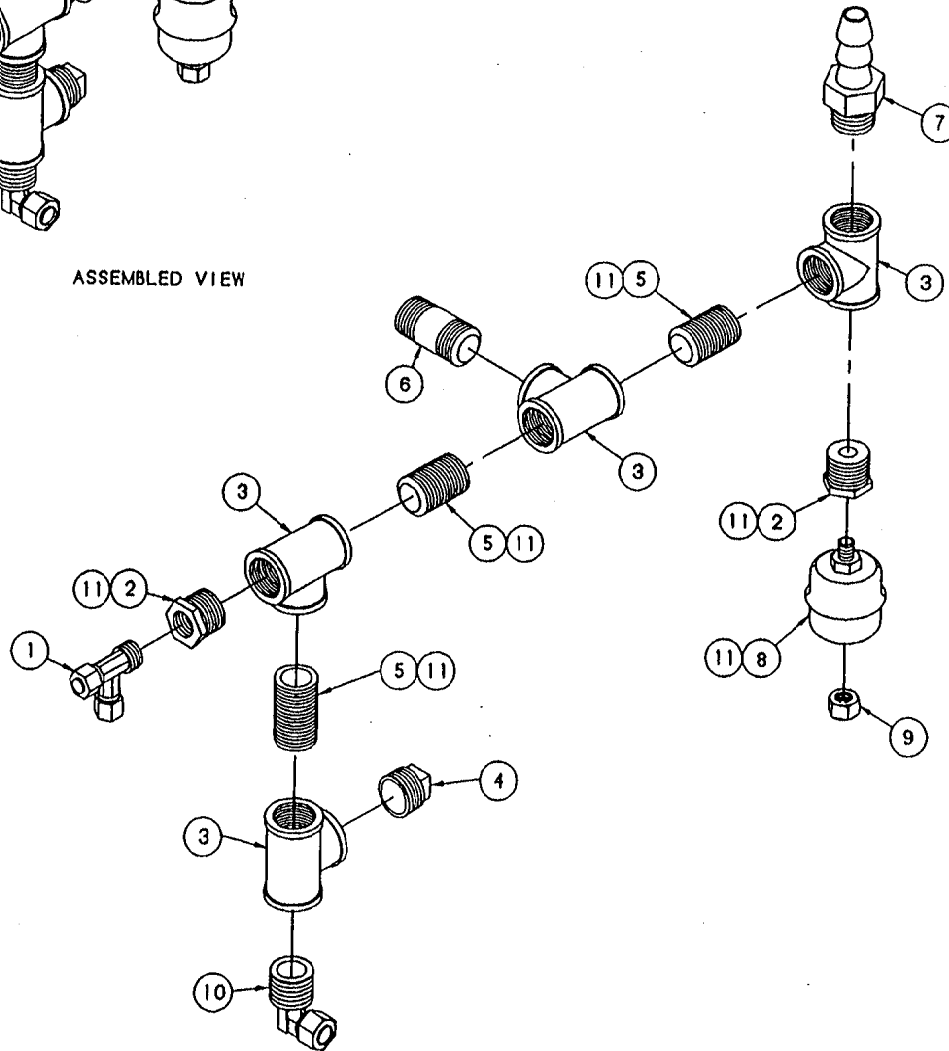
TOLERANCES <small>(UNLESS AS NOTED)</small>			
CLEVELAND RANGE INC. 1333 East 179th St. Cleveland, Ohio 44110-2574			
DECIMAL ± N/A	SCALE 1/2=1	DRAWN BY E. GRIVEAS	APPROVED BY NLT
ANGULAR ± N/A	TITLE STEAM OUTLET ASSEMBLY REV. BEND GEN., ELECTRIC		
CK	DATE 10-08-93	DRAWING NO. C - 428124	REV. -

NEXT ASS'Y: Df'D0001

THIS DESIGN DESCRIBES A PROPRIETARY ITEM AND IS THE PROPERTY OF CLEVELAND RANGE. THIS DRAWING IS NOT TO BE COPIED OR USED WITHOUT THE APPROVAL OF CLEVELAND RANGE.



ASSEMBLED VIEW

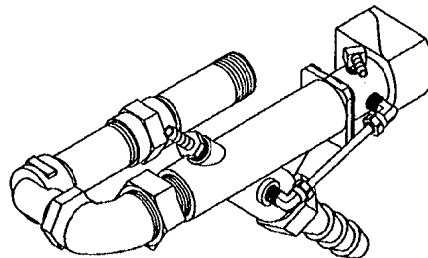
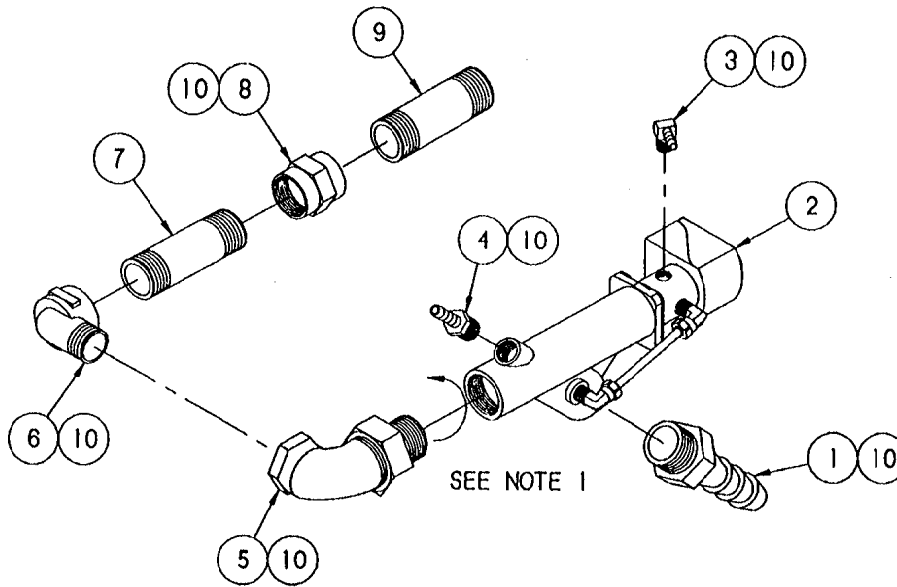


ITEM	QTY.	PART NO.	DESCRIPTION
11	A/R	00934	SEALANT, RECTORSEAL
10	1	08187	FITTING, COMPR., 90 DEG. 1/2T X 3/4MPT
9	1	14861	MUT. COMPRESSION, 1/4 TUBE, BRASS
8	1	101207	TRAP, THERMOSTATIC, 1/4" X 1/4"
7	1	06240	FITTING, HOSE BARB 3/4 HOSE X 3/4 MPT BRASS
6	1	14431	NIPLLE, 3/4 X 2, BRASS
5	3	14342	NIPLLE, 3/4 X CLOSE, BRASS
4	1	18807	PLUG, SQUARE HEAD, 3/4, BRASS
3	4	20206	TEE, 3/4 BRASS
2	2	02583	BUSHING, REDUCING, 3/4 X 1/4, BRASS
1	1	100893	FITTING, COMPR., TEE 3/8T X 3/8MPT X 3/8T

TOLERANCES (EXCEPT AS NOTED)			
CLEVELAND RANGE INC. 1333 East 179th St., Cleveland, Ohio 44110-2574			
DECIMAL ± N/A	SCALE 1/2=1	DRAWN BY D. DODSON	APPROVED BY NLT
ANGULAR ± N/A	TITLE STEAM OUTLET ASSY., 420KEM/420KGM REV. BEND GENERATOR		
CK	DATE 2-03-94	DRAWING NO. C - 42 - 26	REV. -

THIS DESIGN DESCRIBES A PROPRIETARY ITEM AND IS THE PROPERTY OF CLEVELAND RANGE. THIS DRAWING IS NOT TO BE COPIED OR USED WITHOUT THE WRITTEN APPROVAL OF CLEVELAND RANGE.

NOTE: ROTATE VALVE ABOUT 45° FOR J PRESUURE BASES.



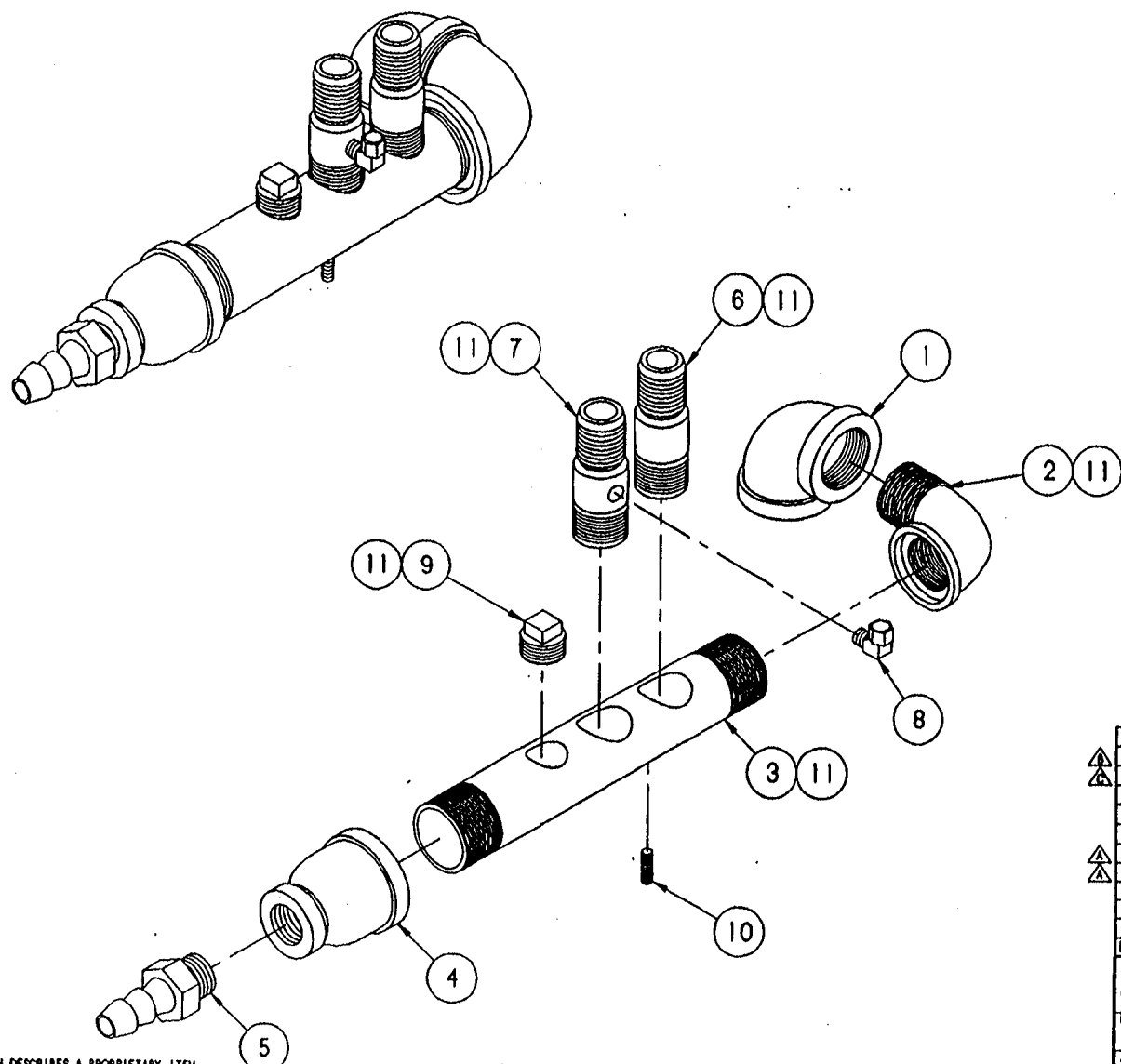
LET.	REVISIONS	DATE	BY
A	REMOVED P/N'S 03851, 14329 (2), 05284 ADDED 08241	3-27-92	SM
B	P/N 08240 WAS 08241, P/N 22244 WAS 22221, P/N 104381 WAS 08218, P/NS 105787, 14348 & 03812 ADDED, P/NS 14324, 02588, 20208, 14342, 03277 & 08323 OMITTED PER E.O. #C-2148	08-18-93	PJD

NO.	QTY.	PART NO.	DESCRIPTION
10		00934	SEALANT, RECTORSEAL
9	1	14495	NIPPLE, 3/4 NPT X 3", S/S
⚠	1	03812	COUPLING, FULL, 3/4, BRASS
⚠	1	14348	NIPPLE, 3/4 X 3, BRASS
6	1	05291	ELBOW, STREET, 3/4 X 90°, FORGED BRASS
5	1	05283	ELBOW, UNION RADIATOR, 3/4 X 90°
⚠	1	104381	FITTING, HOSE BARB, 1/4 H X 1/4 MPT
⚠	1	105787	FITTING, HOSE BARB, 1/4 H X 1/8 MPT 90°
⚠	1	22244	VALVE, SOLENOID, 1/2", 15 PSI
⚠	1	08240	FITTING, HOSE BARB, 3/4 H X 3/4 MPT

TOLERANCES (EXCEPT AS NOTED)		CLEVELAND RANGE INC.		
DECIMAL	SCALE	1333 East 179th St. Cleveland, Ohio 44110-2574		
± N/A	1/2±1	DRAWN BY	S. MILEWSKI	
ANGULAR	TITLE	APPROVED BY	MLT	
± N/A	PIPING ASSEMBLY, BLOWDOWN 24CEM, ELECTRIC "J's"	DATE	DRAWING NO.	REV.
CK	03-28-92	C - 40889	8	

THIS DESIGN DESCRIBES A PROPRIETARY ITEM AND IS THE PROPERTY OF CLEVELAND RANGE. THIS DRAWING IS NOT TO BE COPIED OR USED WITHOUT THE APPROVAL OF CLEVELAND RANGE.

LET.	REVISIONS	DATE	BY
A	ADDED P/N'S 03818 & 08240	3-27-92	SM
B	ADDED P/N 19917 EO #C-2267	8-16-92	SM
C	P/N 18808 WAS 08208 PER E.O. #C-2448	8-22-93	PD

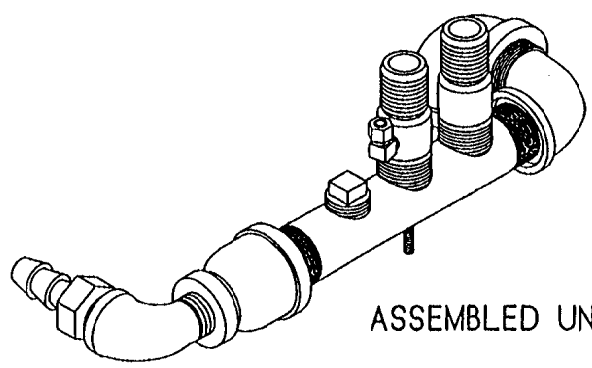
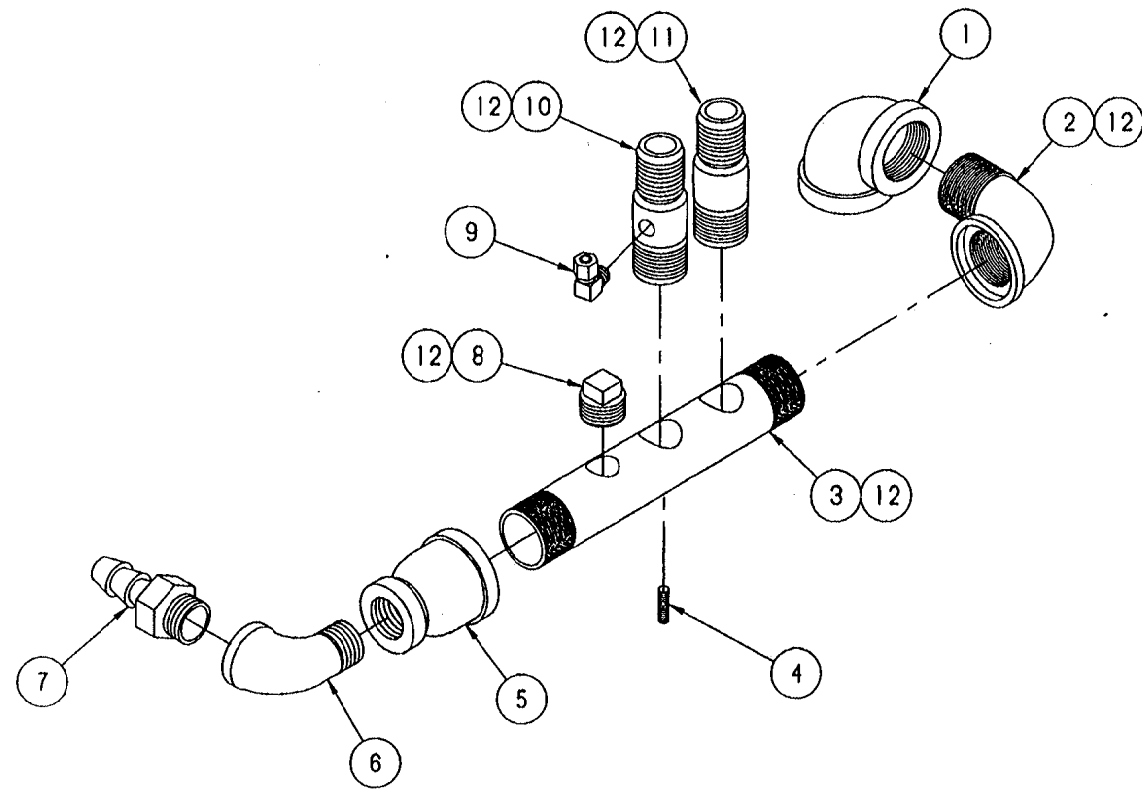


THIS DESIGN DESCRIBES A PROPRIETARY ITEM AND IS THE PROPERTY OF CLEVELAND RANGE. THIS DRAWING IS NOT TO BE COPIED OR USED WITHOUT THE APPROVAL OF CLEVELAND RANGE.

ITEM	QTY.	PART NO.	DESCRIPTION
11	A/R	00934	SEALANT, RECTORSEAL
10	1	19917	STUD, ARC WELD, 1/4-20 x .875, S/S
9	1	18808	PLUG, SQUARE HEAD, 3/4" PIPE, BLACK
8	1	08192	FITTING, COMP, 1/4 T x 1/8 MPT, 90°
7	1	585191	FITTING, HOSE BARB, 1" H w/ 1/8" HOLE
6	1	14481	FITTING, HOSE BARB, 1" H x 1" NPT
5	1	08240	FITTING, HOSE BARB, 3/4 H x 3/4 MPT
4	1	03818	COUPLING, REDUC., 1-1/2 x 3/4, BLK
3	1	13252	MANIFOLD, DRAIN, 1-1/2, BLACK
2	1	05292	ELBOW, STREET, 1-1/2, 90°, BLACK
1	1	05238	ELBOW, 1-1/2 NPT, 90°, BLACK

CLEVELAND RANGE INC. 1333 East 179th St., Cleveland, Ohio 44110-2574			
DECIMAL ± N/A	SCALE 3/16=1	DRAWN BY S. MILEWSKI	APPROVED BY
ANGULAR ± N/A	TITLE DRAIN MANIFOLD ASSEMBLY 24CEM		
CK	DATE 03-28-92	DRAWING NO. C - 42749	REV. C

LET.	REVISIONS	DATE	BY
-	PRODUCTION RELEASE E.O. 1C-1994	08-23-91	P.J.D.
A	P/N 14347 & 20205 OMITTED AND P/N 08240 WAS QTY. OF 2 PER E.O. 1C-2448	08-22-93	P.J.D.



ASSEMBLED UNIT

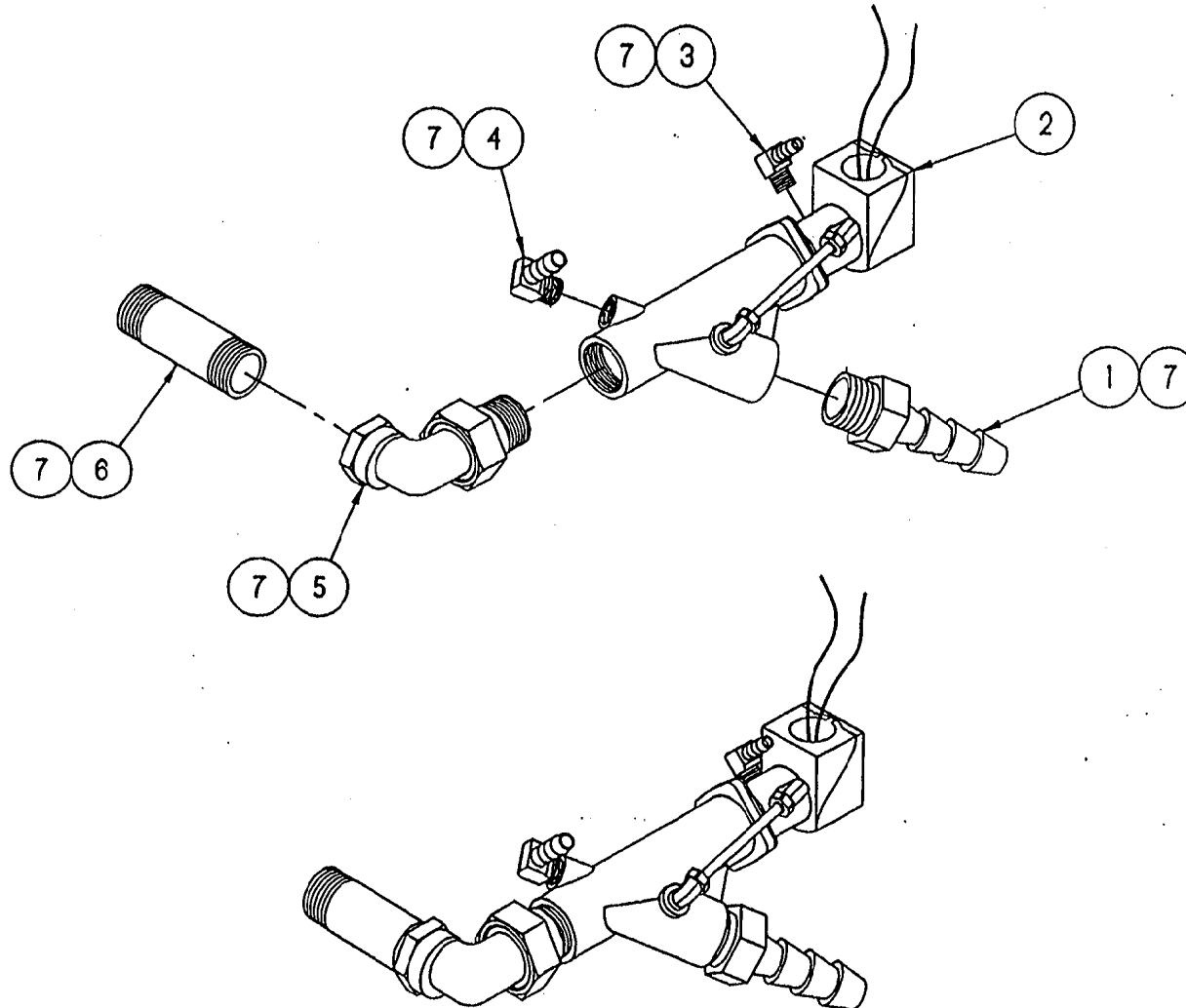
ITEM	QTY.	PART NO.	DESCRIPTION
12	A/R	00934	SEALANT, RECTORSEAL
11	1	14481	FITTING, BARB 1" H X 1" MPT S/S
10	1	585191	FITTING, HOSE, DRAIN MANIFOLD W/ 1/8 HOLE
9	1	08192	FITTING, COMP. 1/4 T X 1/8 MPT 90°
8	1	18808	PLUG, SQ. HEAD, 3/4" PIPE, BLACK
7	1	08240	FITTING, HOSE BARB 3/4 H X 3/4 MPT
6	1	05259	ELBOW, STREET 3/4 X 90°, BLACK
5	1	03818	COUPLING, RED. 1-1/2 X 3/4, BLACK
4	1	19917	STUD, WELD 1/4-20 X 7/8, S/S
3	1	13252	MANIFOLD, DRAIN 1-1/2 NPT, BLACK
2	1	05292	ELBOW, STREET 1-1/2 NPT X 90° BLACK
1	1	05238	ELBOW, 1-1/2 NPT X 90°, BLACK

TOLERANCES (EXCEPT AS NOTED)		CLEVELAND RANGE INC. 1333 East 179th St. Cleveland, Ohio 44110-2574	
DECIMAL ± N/A	SCALE 1/2"	DRAWN BY P.J.D.	APPROVED BY
ANGULAR ± N/A	TITLE PIPING ASSEMBLY, DRAIN 38CGM/SM, 38CGM/LG, 38CEM, 24CSM, 38CSM		
CK	DATE 08-13-91	DRAWING NO. C - 42751	REV. A

THIS DESIGN DESCRIBES A PROPRIETARY ITEM AND IS THE PROPERTY OF CLEVELAND RANGE. THIS DRAWING IS NOT TO BE COPIED OR USED WITHOUT THE APPROVAL OF CLEVELAND RANGE.

NOTE:

1. ROTATE VALVE 45° (AS SHOWN) FOR 36PCEM.



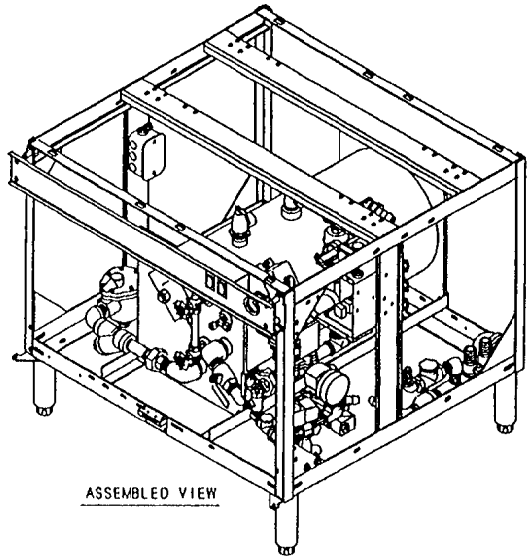
ASSEMBLED UNIT

LET.	REVISIONS	DATE	BY
-	PRODUCTION RELEASE E.O. #C-2008	09-11-91	PJD
A	P/N 20208 WAS 20219 ADDED P/N 14990 & 00934 E.O. #C-2075	11-12-91	PJD
B	P/N 08240 WAS 08241, P/N 104381 WAS 08214, P/N 22244 WAS 22221, P/N/S 14328, 02588, 20208, 03277 & 14990 OMITTED, P/N/S 105787 & 14995 ADDED PER E.O. #C-2448	08-21-93	PJD

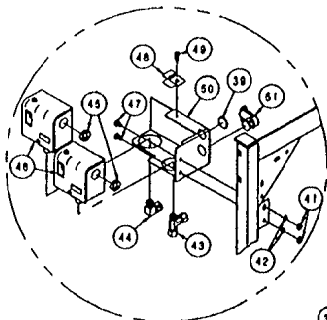
7	A/A	00934	SEALANT, RECTORSEAL
6	1	14995	NIPPLE, 3/4 NPT X 3" LG., 3/S
5	1	05283	ELBOW, UNION RADIATOR
4	1	105789	FITTING, HOSE BARB, 1/4" H X 1/8" NPT, 90°
3	1	105787	FITTING, HOSE BARB, 1/4" H X 1/8" NPT, 90°
2	1	22244	VALVE, SOLENOID, 1/2", 15 PSI
1	1	08240	FITTING, HOSE BARB, 3/4" H X 3/4" NPT

NO.	QTY.	PART NO.	DESCRIPTION	
TOLENCES <small>INDICATED AS NOTED</small>			CLEVELAND RANGE INC. 1333 East 179th St., Cleveland, Ohio 44110-2574	
DECIMAL	SCALE	DRAWN BY		APPROVED BY
1	N/A	5/8"=1"	DUTOMAN	
ANGULAR	TITLE			
2	N/A	PIPING ASSY, BLOWDOWN, 38CEM, 38PCEM, 36CEM16, 42CKEM, 42CKEM		
CK	DATE	DRAWING NO.	REV.	
	09-11-91	C	B	

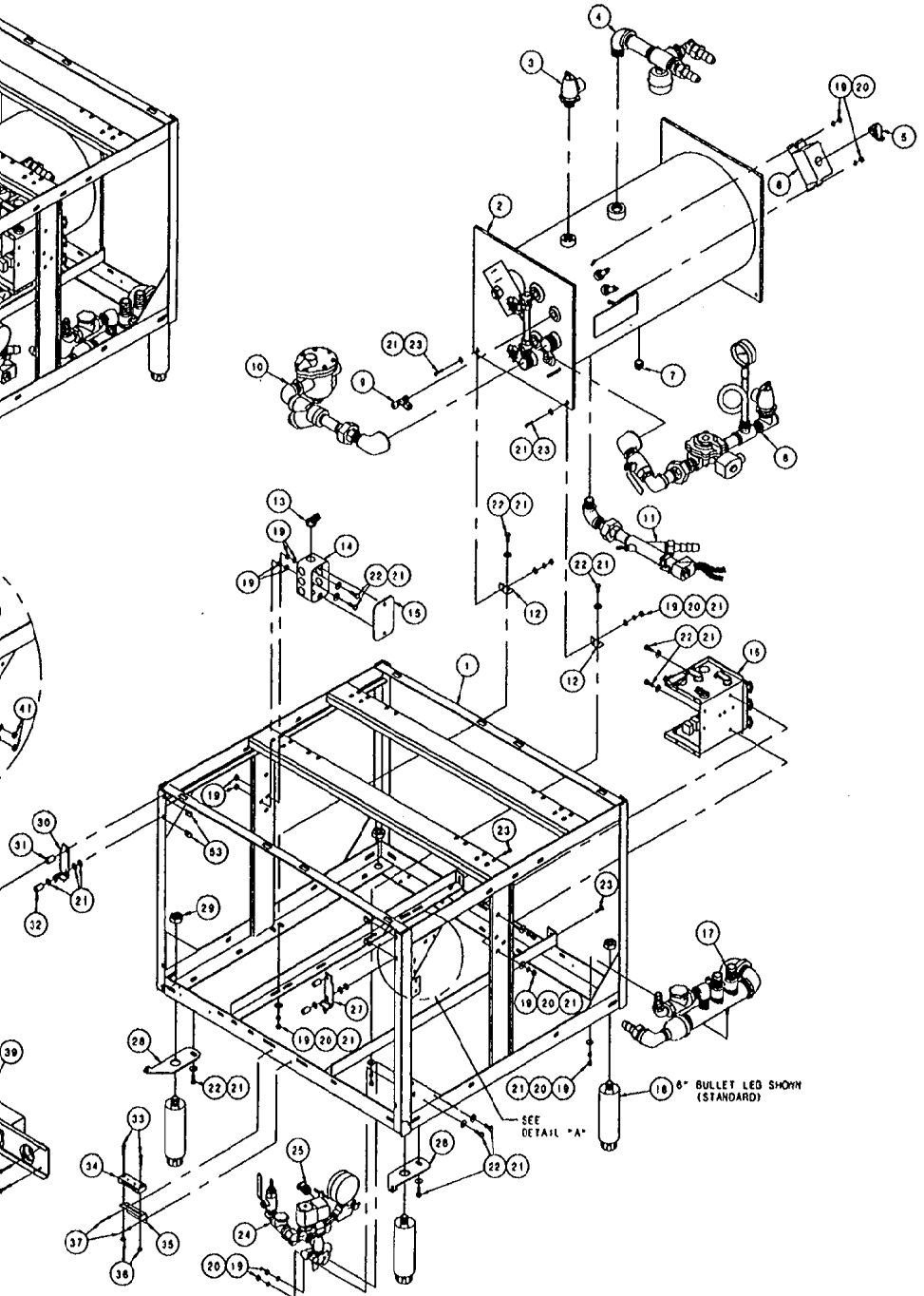
THIS DESIGN DESCRIBES A PROPRIETARY ITEM AND IS THE PROPERTY OF CLEVELAND RANGE. THIS DRAWING IS NOT TO BE COPIED OR USED WITHOUT THE WRITTEN APPROVAL OF CLEVELAND RANGE.



ASSEMBLED VIEW



DETAIL A



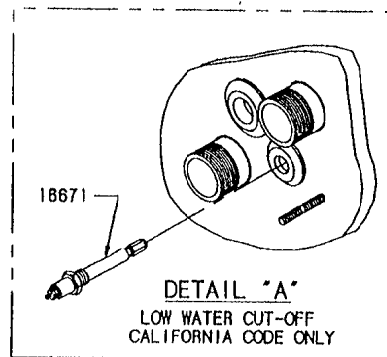
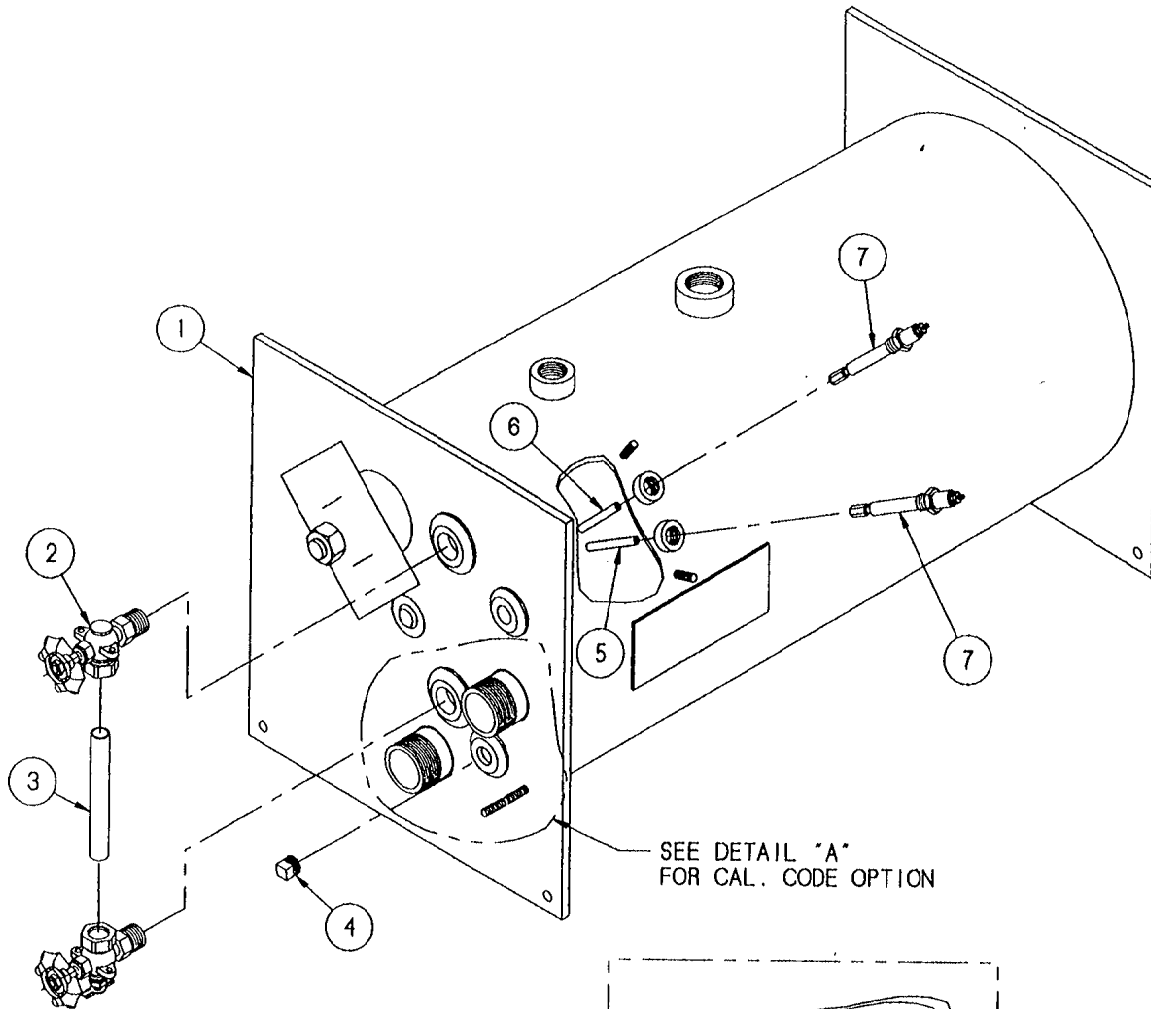
SEE DETAIL "A"

THIS DESIGN DESCRIBES A PROPRIETARY ITEM AND IS THE PROPERTY OF CLEVELAND RANGE. THIS DRAWING IS NOT TO BE COPIED OR USED WITHOUT THE APPROVAL OF CLEVELAND RANGE.

LET.	REVISIONS	DATE	BY
A	ADDED P/N 106090, 106099; P/N 23110 WAS	05-23-94	EAG
-	DTY(20), P/N 14618 WAS DIV(23), #C-2643		

64	4	106090	SCREW, TRUSS HD PHILPS, 10-24 X 1-1/2
63	4	106099	NUT, SLIP ON, 10-24, TINNERMAN
52	A/R	00994	SEALANT, RECTORSEAL
51	1	105247	CONNECTOR, 1/2 X 90° SHAPITE
50	1	526241	BRACKET, PRESSURE SWITCH, GAS/ELEC
49	1	10148	SCREW, HEX WASHER HEAD, SLTD
48	1	52490	BRACKET, PRESSURE SWITCH RETAINER
47	2	18218	SCREW, HEX HEAD, 1/4-20 X 3/8 S/S
46	2	18947	SWITCH, PRESSURE CONTROL
45	2	02599	BUSHING, INSULATING, 3/8 X 1/2 HEYCO
44	1	09198	FITTING, COMP, 3/8 X 1/4 NPT, 90°
43	1	100803	FITTING, COMP TEE 3/8 X 1/4 NPT X 3/8
42	2	23137	WASHER, LOCK INT TOOTH, 1/4 S/S
41	2	14688	NUT, HEX JAM, 1/4-20, S/S
40	1	105246	CONNECTOR, GREENFIELD 1/2 STRAIGHT
39	1	19329	PLUG, SNAP-IN, 1/2" FOR 7/8" HOLE
38	1	1048074	CONSOLE ASSY, 900 MM 2 SWITCH
37	A/R	18359	RIVET, 1/8 DIA, FLUSH BREAK S/S
36	4	14674	NUT, HEX 6-32 ZINC PLATED
35	1	53274	CLIP, MAGNET CATCH, S/S
34	2	03100	CATCH, MAGNETIC
33	4	19208	SCREW, HD, HEAD 6-32 X 1 ZINC PLTD
32	2	19552	SPACER
31	2	19555	SPACER
30	1	528811	HINGE, UPPER LEFT HINGE
29	4	14688	NUT, HEX JAM 3/4-10 ZINC PLTD
28	1	1020882	HINGE, LOWER LEFT HINGE
27	1	528821	HINGE, UPPER RIGHT HINGE
26	1	1020883	HINGE, LOWER RIGHT HINGE
25	1	105243	CONNECTOR, GREENFIELD 3/8 STRAIGHT
24	1	100304	WATER FEED ASSY, REV BEND GEN, 3/8"
23	4	19292	SCREW, ROUND HEAD, SLTD, 1/4-20 X 1" LG
22	10	19286	SCREW, HEX HEAD, 1/4-20 X 3/4
21	25	23110	WASHER, FLAT 1/4 X 5/8 X .085
20	11	23105	WASHER, LOCK 1/4 KATLINK STYLE
19	19	14618	NUT, HEX 1/4-20 S/S
18	4	08159	LEG, BULLET 6"
17	1	427601	DRAIN ASS'Y, MANIFOLD
16	1	44186	BOX, ELECTRIC, STEAM COIL W/COMPONENTS
15	1	02388	COVER, HANDI-BOX
14	1	02381	BOX, HANDI-BOX, ELECTRICAL
13	1	105244	CONNECTOR, GREENFIELD, 3/8" X 45°
12	2	101893	BRACKET, GENERATOR, MNTD LG STM COIL
11	1	101880	BLOWDOWN ASSM, AUTO, PCL STEAM COIL
10	1	101703	PIPING, STEAM OUTLET...PCL & STEAM COIL
9	1	030073	FITTING, COMP, TEE, 3/8" BRASS
8	1	101723	INLET, STEAM ASSM, PCL STEAM COIL
7	1	18802	PLUG, SO. HD, CORED, 1/2" PIPE, BLK
6	1	101112	BOX, PROBE COVER, LARGE STEAM COIL
5	1	105245	CONNECTOR, GREENFIELD, 3/8" X 90°
4	1	101724	PIPING ASSM, STEAM OUTLET, PCL
3	1	22131	VALVE, SAFETY, 3/4" 16 PSI, BRONZE
2	1	101927MP	GENERATOR ASSM, LG STM COIL, W/REF PARTS
1	-	1018921	BASE, WELDMENT, 900MM, A C S
1	-	101892	BASE WELDMENT, 900MM, S/S

ITEM	QTY	PART NO.	DESCRIPTION
TOLERANCES (EXCEPT AS NOTED)			
CLEVELAND RANGE INC. 1333 East 178th St., Cleveland, Ohio 44110-2074			
DECIMAL & N/A	SCALE 1/8"=1	DRAWN BY E. GRIVEAS	APPROVED BY
ANGULAR & N/A	TITLE	BASE ASSEMBLY, LARGE STEAM COIL GENERATOR 900 MM, PCL	
CK	DATE 12-06-93	DRAWING NO. C - FJE0001	REV. A

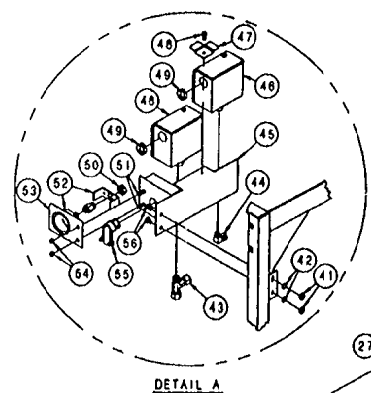
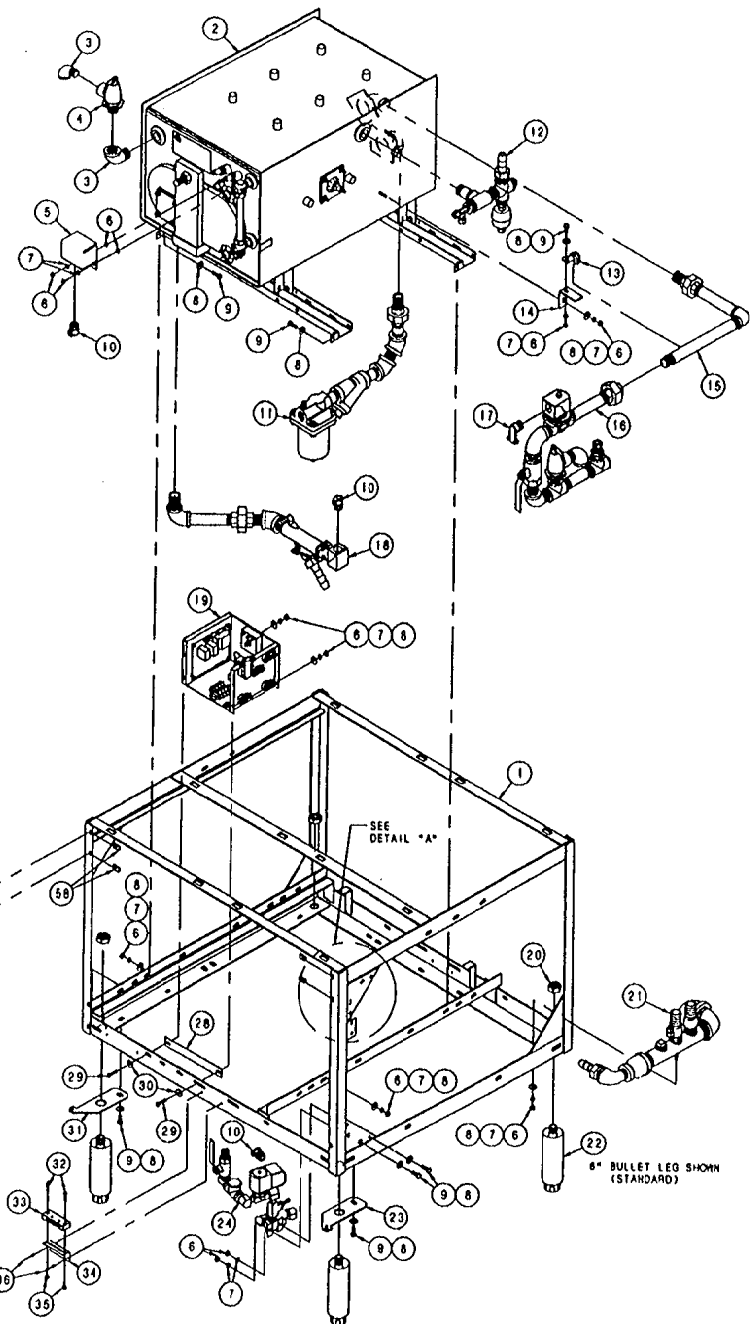
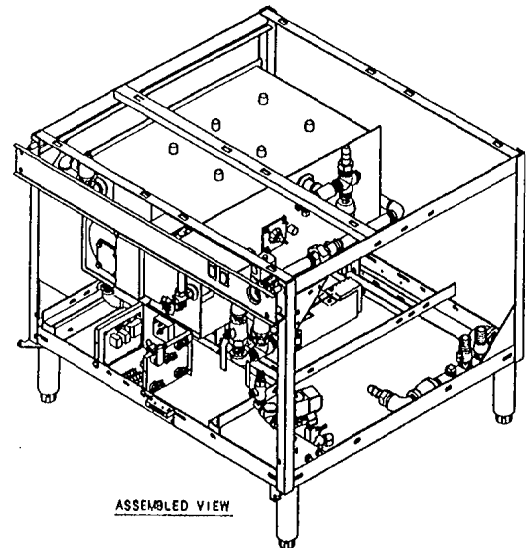


THIS DESIGN DESCRIBES A PROPRIETARY ITEM AND IS THE PROPERTY OF CLEVELAND RANGE. THIS DRAWING IS TO BE COPIED OR USED WITHOUT THE APPROVAL OF CLEVELAND RANGE.

ITEM	QTY.	PART NO.	DESCRIPTION
8	A/R	00934	SEALANT, RECTORSEAL
7	2	16671	PROBE, WARRICK, 4-5/16" LG.
6	1	101913	EXTENSION, PROBE, HIGH WATER, PCL
5	1	101912	EXTENSION, PROBE, LOW WATER, PCL
4	1	18601	PLUG, SQUARE HEAD, 3/8" PIPE BLACK
3	1	101900	GAUGE, WATER, 5/8" X 4.625", GLASS
2	1	07176	GAUGE FITTINGS, WATER, 1/2"
1	1	101927	GENERATOR ASN, 2 PROBE, LG ST COIL

TOLERANCES (UNLESS AS NOTED)			
CLEVELAND RANGE INC. 1333 East 179th St. Cleveland, Ohio 44110-2574			
DECIMAL ± N/A	SCALE 3/8=1	DRAWN BY E. GRIVEAS	APPROVED BY
ANGULAR ± N/A	TITLE GENERATOR ASSEMBLY, LARGE STEAM COIL W/ REFERENCE PARTS		
CK	DATE 11-23-93	DRAWING NO. C - 101	REV. WP

LET.	REVISIONS	DATE	BY
A	REPLACED 19927 WITH 19921 AND 14859 WITH 14865. SEE EC-C-2618	4/25/84	DLD
B	ADDED P/N 106698, 106699; P/N 23116 WAS QTY(23). P/N 14818 WAS QTY(17), #C-2643	05-23-94	EAG

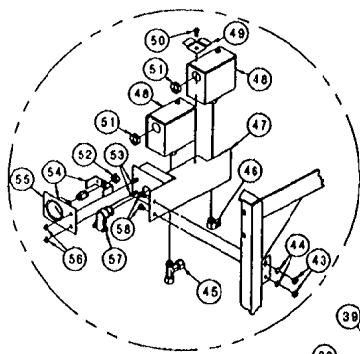
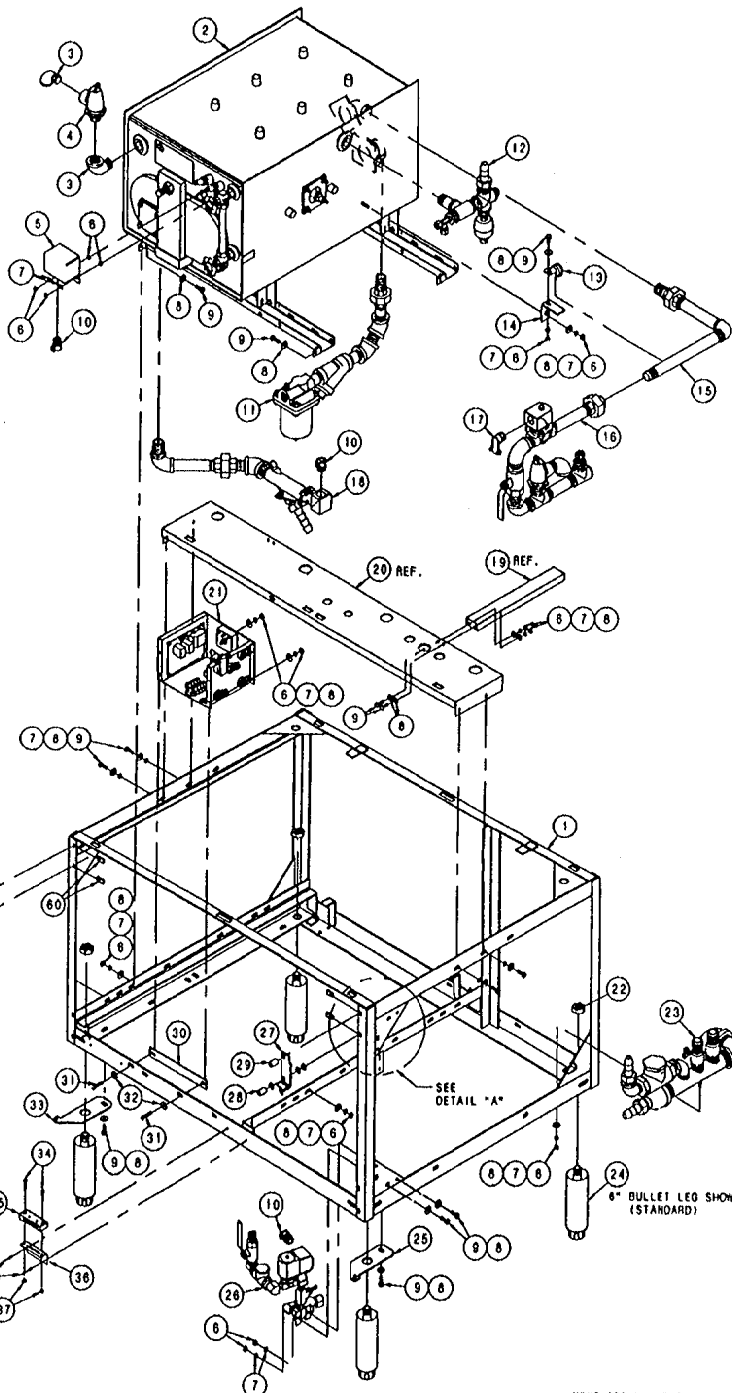
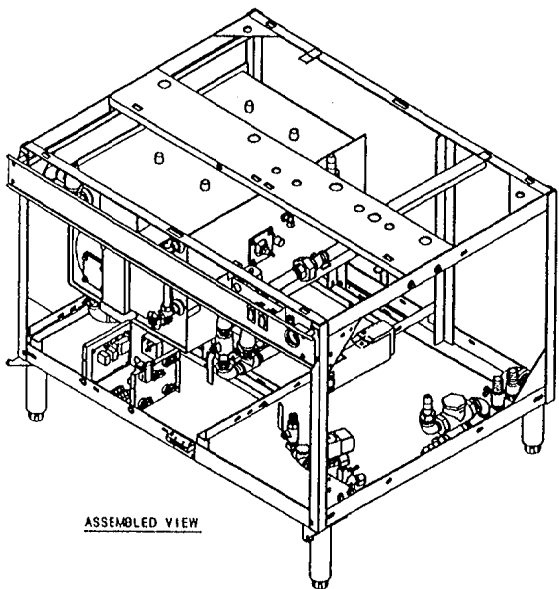


ITEM	QTY	PART NO.	DESCRIPTION
39	4	106898	SCREW, TRUSS HD PHILPS, 10-24 X 1-1/2
38	4	108889	NUT, SLIP ON, 10-24, TIMBERMAN
37	N/A	00934	SEALANT, RECTORSFEL
36	2	19218	SCREW, HEX HEAD, 1/4-20 X 3/5 S/S
35	1	108247	CONNECTOR, GREENFIELD, 3/8" X 90°
34	2	14868	NUT, ELASTIC LOCK, 1/4-20, S/S
33	1	52548	BRACKET, PRESSURE GAUGE, 2 X 4-1/4
32	1	07188	GAUGE, PRESSURE, PANEL MOUNT
31	2	19921	FITTING, COMPRESSION, 3/8" T X 1/4" FPT
30	1	08197	BUSHING, INSULATING, 3/8 X 1/2 HEYCO
29	2	02698	SCREW, HEX WASHER HEAD, SLTD
28	1	19148	BRACKET, PRESSURE SWITCH RETAINER
27	1	52499	SWITCH, PRESSURE CONTROL
26	2	19947	BRACKET, PRESSURE SWITCH 2 PROBE
25	1	52640	FITTING, COMP, 3/8 X 1/4 NPT, 90°
24	1	08198	FITTING, COMP TEE 3/8 X 1/4 NPT X 3/4
23	1	100803	WASHER, LOCK INT, TOOTH, 1/4 S/S
22	2	23137	NUT, HEX JAW, 1/4-20, S/S
21	1	14868	PLUG, SHAP-IN, 1/2" FOR 7/8" HOLE
20	1	19329	CONNECTOR, GREENFIELD 1/2 STRAIGHT
19	1	1048074	CONSOLE ASSY, 90D MM 2 SWITCH
18	1	412182	BRACKET, ASS'Y, TOP HINGE, L.S.
17	A/R	16358	RIVET, 1/8 DIA, FLUSH BREAK S/S
16	4	14874	NUT, HEX 8-32 ZINC PLATED
15	1	33274	CLIP, MAGNET CATCH, S/S
14	2	03100	CATCH, MAGNETIC
13	4	19208	SCREW, RD HEAD 8-32 X 1 ZINC PLTD
12	1	1020832	HINGE, LOWER LEFT HINGE
11	2	101855	WASHER, FLAT, #10 S/S
10	2	19287	SCREW, PAN HEAD, #10-24 X 5 LG S/S
9	1	86732	PLATE, COVER, STEAM COIL BASE
8	2	19555	SPACER
7	2	05567	SPACER
6	1	412192	BRACKET, ASS'Y, TOP HINGE, R.S.
5	1	440702	WATER FEED ASSY, REV BEND GEN
4	1	1020863	HINGE, LOWER RIGHT HINGE
3	4	06156	LEG, BULLET 8"
2	1	42781	DRAIN ASSEMBLY, MANIFOLD, STEAM COIL
1	4	14868	NUT, HEX JAW 3/4-10 ZINC PLTD
64	1	44188	BOX, ELECTRIC, STEAM COIL W/COMPONENTS
63	1	42813	PIPING, GENERATOR DRAIN, ST.CO. MANUAL
62	1	108248	CONNECTOR, GREENFIELD, 3/8" X 90°
61	1	42809	PIPING, STEAM SUPPLY, STEAM COIL
60	1	52808	PIPING, STEAM SUPPLY, ASSM, STEAM COIL
59	1	52830	BRACKET, PIPE, REV BEND GEN.
58	1	03197	CLAMP, 1 HOLE, RIGID, 3/4"
57	1	428123	PIPING, STEAM OUTLET, REV BEND
56	1	42810	PIPING, CONDENSATE DRAIN, STEAM COIL
55	3	105243	CONNECTOR, GREENFIELD, 3/8 STRAIGHT
54	7	19288	SCREW, HEX HEAD, 1/4-20 X 3/4
53	19	23116	WASHER, FLAT 1/4 X 5/8 X 083
52	11	23105	WASHER, LOCK 1/4 KATLINK STYLE
51	19	14818	NUT, HEX 1/4-20 S/S
50	1	52305	BOX, PROBE COVER, 2 PROBES, A.C.S.
49	1	22131	VALVE, SAFETY, 3/4" 90° BRONZE
48	2	05259	ELBOW, STREET, 3/4" 90° BLACK
47	1	408211MP	GENERATOR ASM, STEAM COIL W/REF PARTS
46	1	411201	BASE WELDMENT, 900MM, A.C.S.
45	1	41120	BASE WELDMENT, 900MM, S/S

THIS DESIGN DESCRIBES A PROPRIETARY ITEM AND IS THE PROPERTY OF CLEVELAND RANGE. THIS DRAWING IS NOT TO BE COPIED OR USED WITHOUT THE APPROVAL OF CLEVELAND RANGE.

NEXT ASS'Y DHE0018

ITEM	QTY	PART NO.	DESCRIPTION
TOLERANCES UNLESS SHOWN			
CLEVELAND RANGE INC. 1333 East 179th St. Cleveland, Ohio 44110-2574			
DESIGNER	SCALE	DRAWN BY	APPROVED BY
A/N/A	1/8" = 1"	E. GRIVEAS	N.T.
ANALYST	TITLE	DATE	
A/N/A	BASE ASSEMBLY, STEAM COIL, 900 MM	10-22-93	
CK	DRAWING NO.	REV	
	C - DHE0012	B	



THIS DESIGN IS A PROPRIETARY ITEM AND IS THE PROPRIETY OF CLEVELAND RANGE. THIS DRAWING IS TO BE COPIED OR USED WITHOUT THE APPROVAL OF CLEVELAND RANGE.

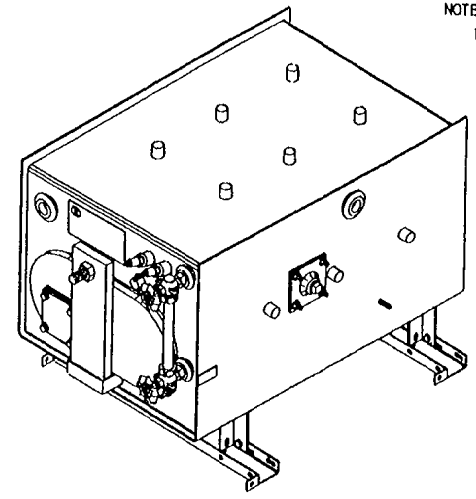
NEXT ASS'Y: DHF0019

LET.	REVISIONS	DATE	BY
A	REPLACED 19927 WITH 19921 AND 14619 WITH 14685. SEE ED C-1010.	4/25/94	DLB
B	ADDED P/N 106698, 106699; P/N 23118 WAS QTY(33), P/N 14618 WAS QTY(21), P/N 1061935 WAS 1048075. PER E.O. #C-2643	05-23-94	EAG

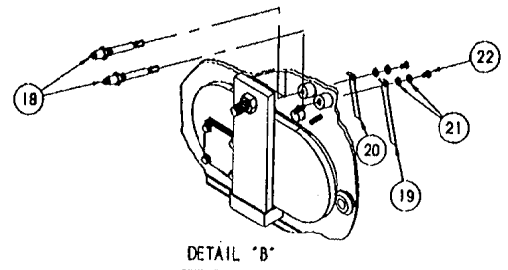
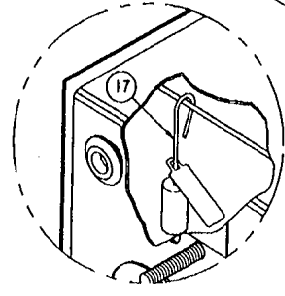
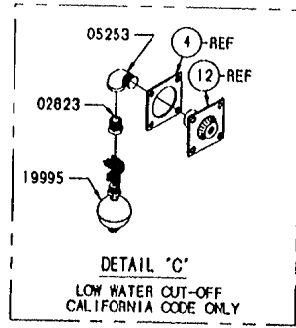
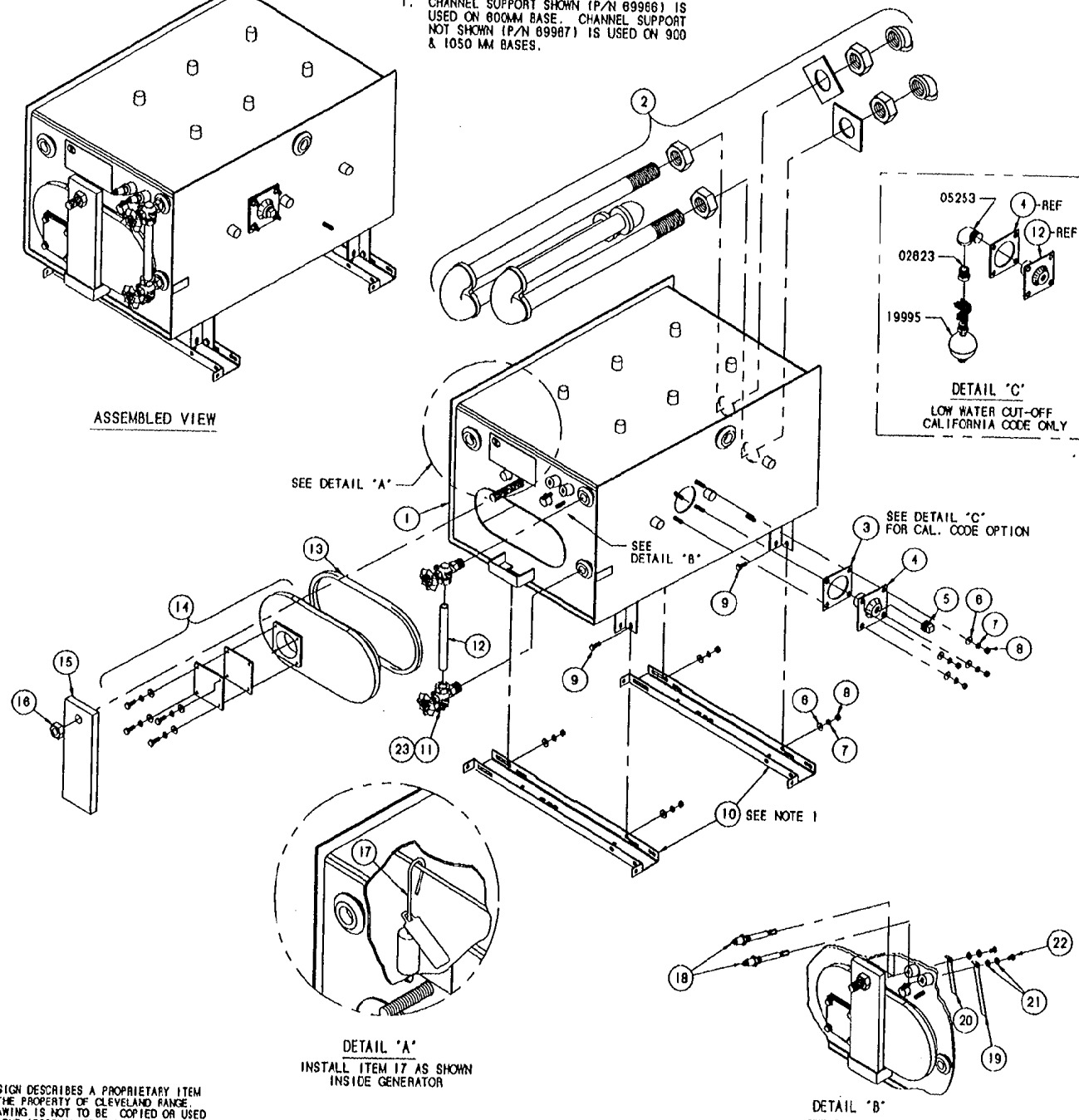
61	4	106698	SCREW, TRUSS HD. PHILPS, 10-24 X 1-1/2
60	4	106699	NUT, SLIP ON, 10-24, TINNERMAN
59	A/R	00931	SEALANT, RECTORSEAL
58	2	19216	SCREW, HEX HEAD, 1/4-20 X 3/5 S/S
57	1	105247	CONNECTOR, 1/2 X 90° SHAP-LITE
56	2	14685	NUT, ELASTIC LOCK, 1/4-20, S/S
55	1	52548	BRACKET, PRESSURE GAUGE, 2 X 1-1/4
54	1	07168	GAUGE, PRESSURE, PANEL MOUNT
53	2	19921	STUD, WELD, 1/4-20 X 1/2, S/S
52	1	06197	FITTING, COMPRESSION, 3/8" X 1/4" FPT
51	2	02588	BUSHING, INSULATING, 3/8 X 1/2 HEYCO
50	1	19148	SCREW, HEX WASHER HEAD, STD
49	1	52498	BRACKET, PRESSURE SWITCH RETAINER
48	2	19947	SWITCH, PRESSURE CONTROL
47	1	82840	BRACKET, PRESSURE SWITCH 2 PROBE
46	1	08188	FITTING, COMP, 3/8 X 1/4 NPT, 90°
45	1	100883	FITTING, COMP TEE 3/8 X 1/4 NPT X 3/8
44	2	23137	WASHER, LOCK INT. TOOTH, 1/4 S/S
43	2	14688	NUT, HEX JAM, 1/4-20, S/S
42	1	19329	PLUG, SHAP-IN, 1/2" FOR 7/8" HOLE
41	1	105248	CONNECTOR, GREENFIELD 1/2 STRAIGHT
40	1	1061935	CONSOLE ASSY, 1050 MM 2 SWITCH
39	1	412187	BRACKET, ASS'Y., TOP HINGE, L.S.
38	A/R	18958	RIVET, 1/8 DIA. FLUSH BREAK S/S
37	4	14874	NUT, HEX 6-32 ZINC PLATED
36	1	53274	CLIP, MAGNET CATCH, S/S
35	2	03100	CATCH, MAGNETIC
34	4	19208	SCREW, RD. HEAD 8-32 X 1 ZINC PLTD
33	1	102082	HINGE, LOWER LEFT HINGE
32	2	101885	WASHER, FLAT, #10 S/S
31	2	19287	SCREW, PAN HEAD, #10-24 X 5 LG S/S
30	1	96732	PLATE, COVER, STEAM COIL BASE
29	2	19855	SPACER
28	2	193582	SPACER
27	1	412182	BRACKET, ASS'Y., TOP HINGE, R.S.
26	1	440702	WATER FEED ASSY, REV BEND GEN
25	1	102083	HINGE, LOWER RIGHT HINGE
24	4	08158	LEG, BULLET 4"
23	1	104873	DRAIN ASSEMBLY, MANIFOLD, STEAM COIL
22	4	14688	NUT, HEX JAM 3/4-10 ZINC PLTD
21	1	44188	BOX, ELECTRIC, STEAM COIL W/COMPONENTS
20	1	101673	BRACE, KETTLE SUPPORT
19	1	53111	CHANNEL, KETTLE SUPPORT
18	1	42813	PIPING, GENERATOR DRAIN, ST. CO. MANUAL
17	1	105245	CONNECTOR, GREENFIELD, 3/8" X 90°
16	1	42809	PIPING, STEAM SUPPLY, STEAM COIL
15	1	42809	PIPING, STEAM SUPPLY, ASSM. STEAM COIL
14	1	82530	BRACKET, PIPE, REV BEND GEN.
13	1	03197	CLAMP, 1 HOLE, RIGID, 3/4"
12	1	428123	PIPING, STEAM OUTLET, REV BEND
11	1	42810	PIPING, CONDENSATE DRAIN, STEAM COIL
10	3	105243	CONNECTOR, GREENFIELD 3/8 STRAIGHT
9	13	19288	SCREW, HEX HEAD, 1/4-20 X 3/4
8	29	23118	WASHER, FLAT 1/4 X 5/8 X .085
7	18	23105	WASHER, LOCK 1/4 KATLINK STYLE
6	17	14818	NUT, HEX 1/4-20 S/S
5	1	52305	BOX, PROBE COVER, 2 PROBES, A.C.S.
4	1	32131	VALVE, SAFETY, 3/4" 16 PSI, BRONZE
3	2	05259	ELBOW, STREET, 3/4", 90° BLACK
2	1	40821MP	GENERATOR ASM, STEAM COIL, W/REF PARTS
1	-	411271	BASE, WELDMENT, 1050MM, A.C.S.
1	-	41127	BASE WELDMENT, 1050MM, S/S

ITEM	QTY	PART NO.	DESCRIPTION
TOLERANCES UNLESS SHOWN:			
CLEVELAND RANGE INC.			
1939 East 179th St., Cleveland, Ohio 44110-2574			
DECIMAL & N/A	SCALE 1/8"=1"	DRAWN BY E. GRIVEAS	APPROVED BY M.T.
ANGULAR & N/A	TITLE BASE ASSEMBLY, STP 1050 MM		
CK	DATE 10-27-93	DRAWING NO. C - LMF0013	REV. 8

NOTES:
 1. CHANNEL SUPPORT SHOWN (P/N 89986) IS USED ON 800MM BASE. CHANNEL SUPPORT NOT SHOWN (P/N 89987) IS USED ON 900 & 1050 MM BASES.



ASSEMBLED VIEW

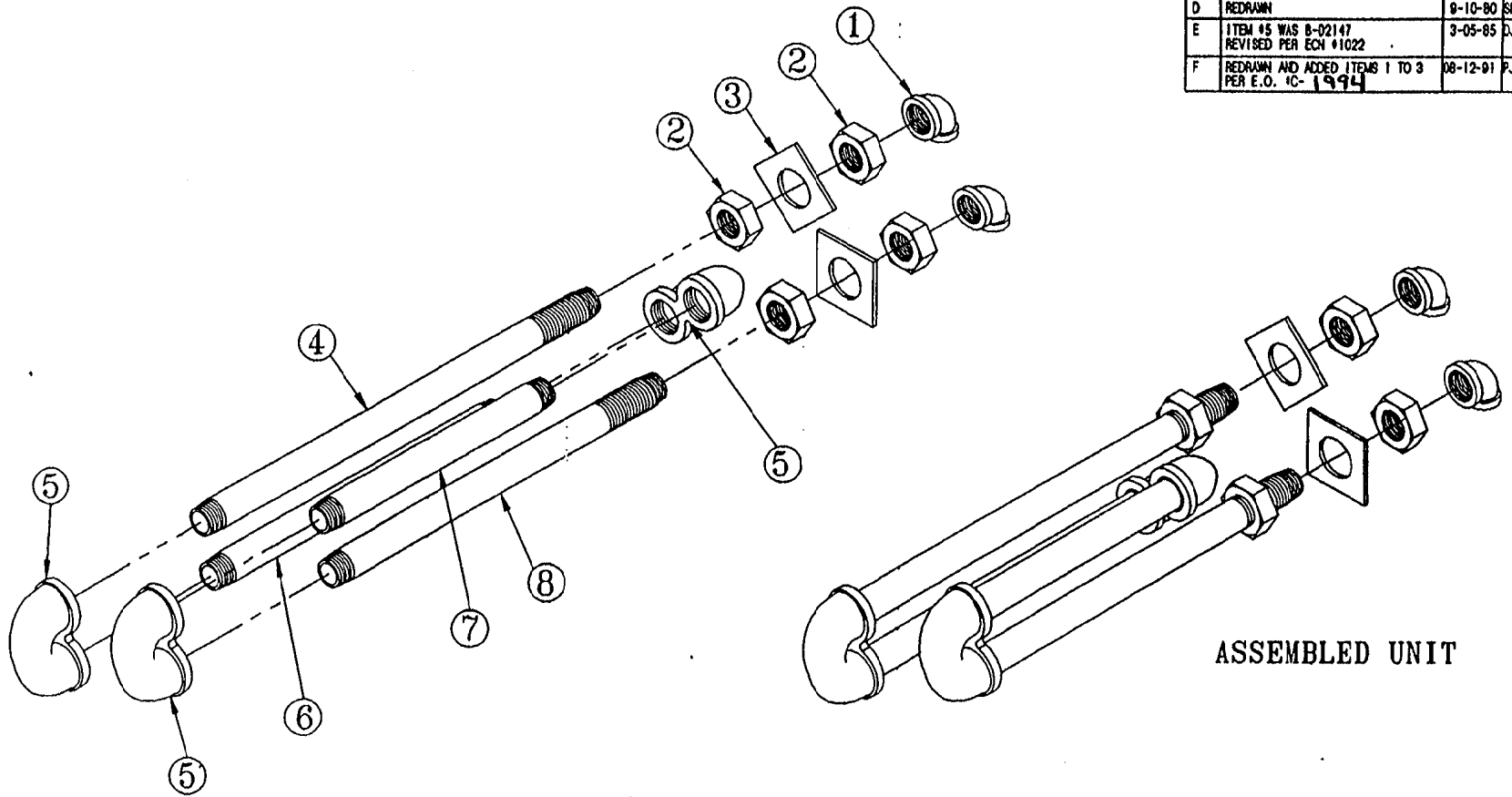


NO.	QTY.	PART NO.	DESCRIPTION
23	A/R	00934	SEALANT, RECTORSEAL
22	2	19218	SCREW, HEX HEAD, 1/4-20 X 3/8 S/S
21	4	23151	WASHER, INTERNAL TOOTH LOCK, 1/4
20	1	82452	EXTENSION, WATER PROBE 1/2 X 3-1/8
19	1	82453	EXTENSION, WATER PROBE, 1/2 X 4-5/8
18	2	18871	PROBE WARRICK, 4-5/16" LG
17	1	43895	ANODE ASSM CORROSION PREVENTATIVE
16	1	100284	NUT, HEAVY HEX 5/8-11 UNC SA-194
15	1	52517	BAR, HAND HOLE, 5/8" X 3" X 9-1/8"
14	1	40425	PLATE ASSEMBLY, HAND HOLE
13	1	07116	GASKET, HAND HOLE
12	1	07302	GAUGE, WATER, 5/8 X 6, GLASS
11	1	07170	GAUGE, FITTINGS, WATER, 1/2"
10	-	89986	SUPPORT, GEN. MTG. CHANNEL 800MM S/S
	-	89987	SUPPORT, GEN MTG CHANNEL 900/1050MM
9	4	19288	SCREW, HEX HEAD, 1/4-20 X 3/4
8	8	14618	NUT, HEX, 1/4 - 20 S/S
7	8	23105	WASHER, SPLIT LOCK, 1/4 S/S
6	8	23118	WASHER, FLAT, 1/4 S/S
5	1	16802	PLUG, SQUARE 1/2 PIPE, BLACK
4	1	41943	PLATE, MOUNTING
3	1	07128	GASKET, HEATER
2	1	40401	EXCHANGER, HEAT ASSY, STEAM COIL
1	1	408211	GENERATOR WELDMENT, STEAM COIL

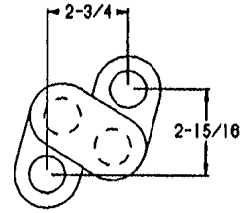
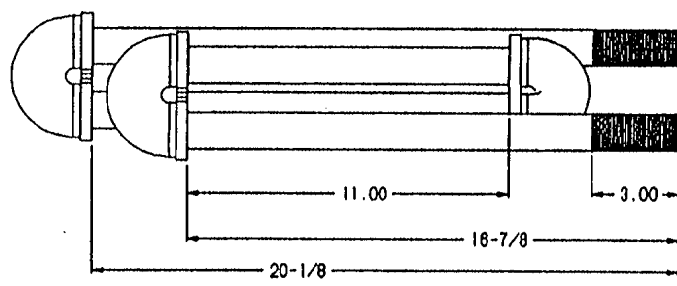
TOLERANCES (EXCEPT AS NOTED)		CLEVELAND RANGE INC. 1333 East 179th St. Cleveland, Ohio 44110-2574	
DECIMAL ± N/A	SCALE 3/16	DRAWN BY GRIVEAS	APPROVED BY MLT
ANGULAR ± N/A	TITLE STEAM COIL GENERATOR ASSEMBLY W/ REFERENCE PARTS		
CK	DATE 10-18-93	DRAWING NO. C-408211WP	REV. -

THIS DESIGN DESCRIBES A PROPRIETARY ITEM AND IS THE PROPERTY OF CLEVELAND RANGE. THIS DRAWING IS NOT TO BE COPIED OR USED WITHOUT THE APPROVAL OF CLEVELAND RANGE.

LET.	REVISIONS	DATE	BY
D	REDRAWN	9-10-80	SPS
E	ITEM #5 WAS 8-02147 REVISED PER E.O. #1022	3-05-85	DJP
F	REDRAWN AND ADDED ITEMS 1 TO 3 PER E.O. 1C-1994	08-12-91	PJD



ASSEMBLED UNIT



ITEM	QTY.	PART NO.	DESCRIPTION
8	1	18475	PIPE, 1-1/4 X 17.375", BRASS
7	1	18478	PIPE, 1-1/4 X 12.00", BRASS
6	1	18474	PIPE, 1-1/4 X 15.250", BRASS
5	3	02150	FITTING, RETURN BEND 1-1/4 NPT. UED. PTH. 180°
4	1	18473	PIPE, 1-1/4 X 20.825", BRASS
3	2	23135	WASHER, FLAT, 8 GA., 3" X 3" 8/16
2	4	14812	NUT, LOCK; LGT. PTH., 1-1/4 PIPE, BRASS
1	2	05270	ELBOW, 90° 1-1/4 X 3/4, BLACK

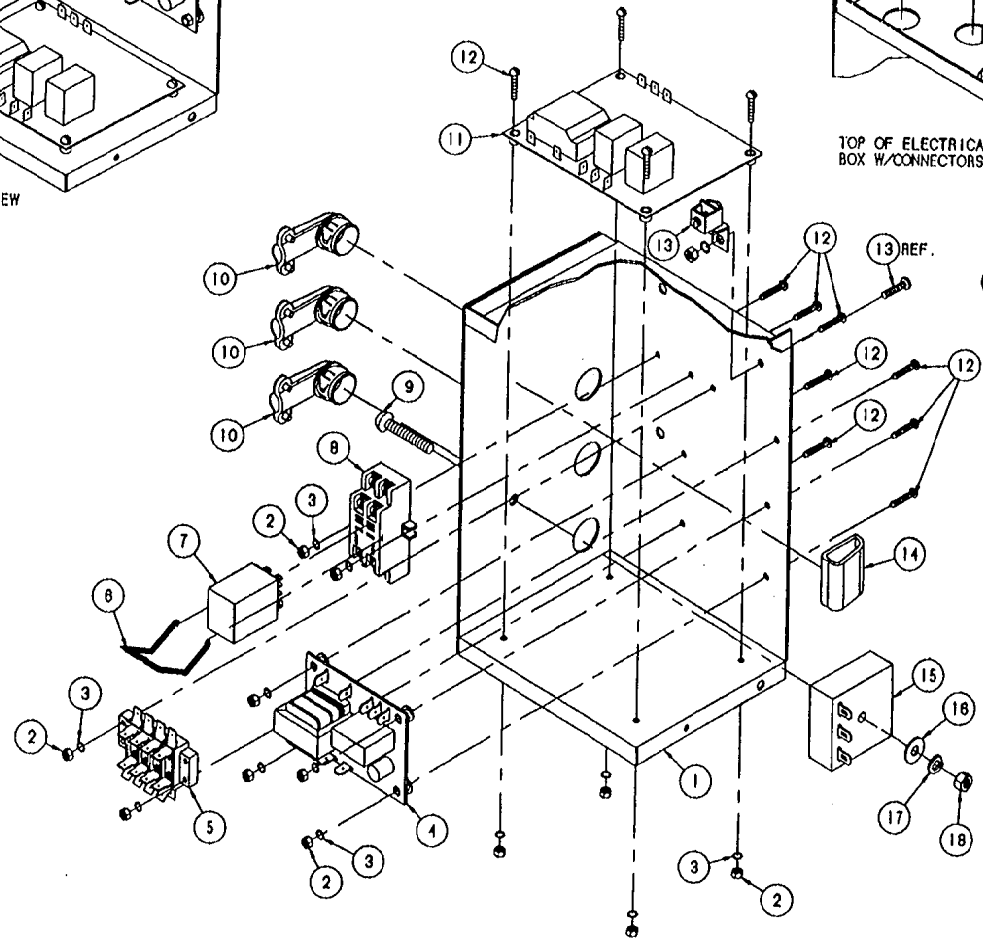
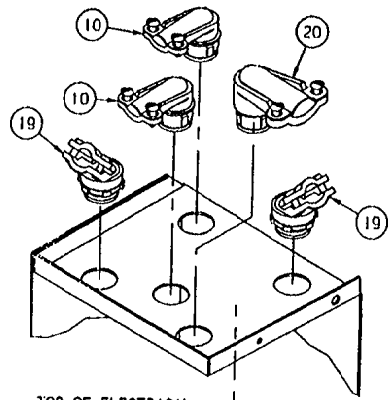
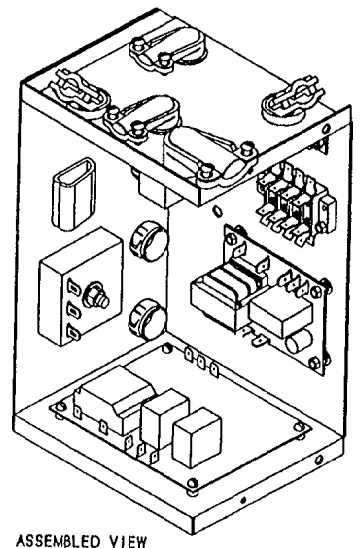
THIS DESIGN DESCRIBES A PROPRIETARY ITEM AND IS THE PROPERTY OF CLEVELAND RANGE. THIS DRAWING IS NOT TO BE COPIED OR USED WITHOUT THE APPROVAL OF CLEVELAND RANGE.

TOLERANCES EXCEPT AS SHOWN			
DECIMAL	± N/A	SCALE	N/A
MILLIMETER	± N/A	TITLE	HEAT EXCHANGER ASSEMBLY, STEAM COIL, SMALL GENERATOR
DATE	06-04-81	DRAWING NO.	C-40401
CHK		REV.	F

CLEVELAND RANGE INC.
1333 East 178th St., Cleveland, Ohio 44116-2571

DRAWN BY A.B.K. APPROVED BY -

NOTES:
 1) REFER TO DWG. FJE0003 FOR CAL CODE
 W/INTERMITTENT BLOWDOWN FOR LARGE
 STEAM COIL GENERATOR.



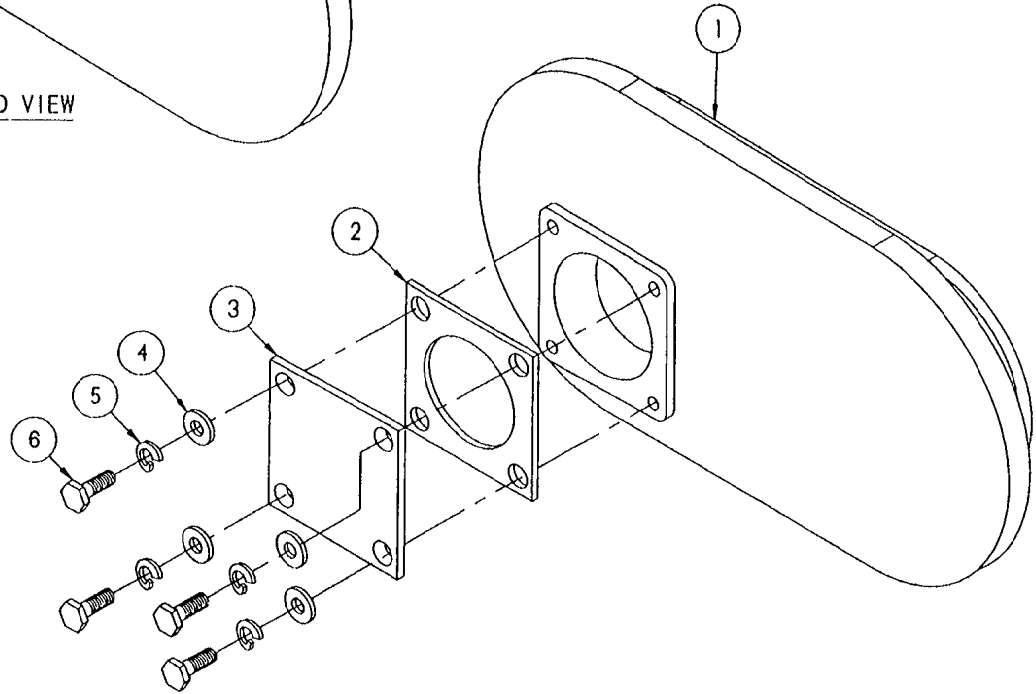
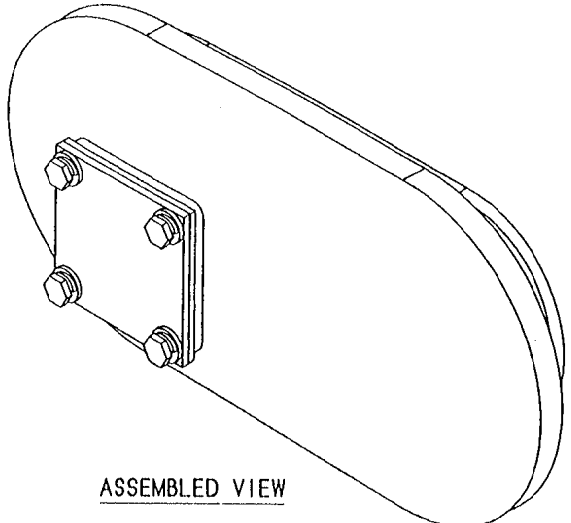
ITEM	QTY.	PART NO.	DESCRIPTION
20	1	105247	CONNECTOR, GREENFIELD, 1/2" X 90°
19	2	105244	CONNECTOR, GREENFIELD, 3/8" X 45°
18	1	14518	NUT, HEX, 1/4-20, S/S, FULL FINISHED
17	1	23105	WASHER, LOCK, MED PAT, 1/4" KATLINK STYLE, S/S
16	1	23116	WASHER, FLAT, 1/4: 10 X 5/16 OD X .065 THK
15	1	20478	TIMER, SOLID STATE INTERVAL 3 MINUTE
14	2	23432	CLIP, MOUNTING, WIRE/CALE, 1.25 X 1.50
13	1	12330	LUG, SOLDERLESS GROUND FOR 10-14 GA. WIRE
12	12	19183	SCREW, ROUND HEAD SLOTTED, 6-32 X .75 ZINC PLTD
11	1	23198	CONTROL, WATER LEVEL
10	5	105245	CONNECTOR, GREENFIELD, 3/8" X 90°
9	1	19265	SCREW, ROUND HEAD, 1/4-20 X 1-1/2, S/S
8	1	03525	SOCKET, RELAY
7	1	03524	RELAY, 120V, 50/60 HZ, AC, DPDT
6	1	105044	CLIP, WIRE, RELAY, (03524 - 03525)
5	1	44104	TERMINAL BLOCK ASM. - 4 POLE GAS UNITS
4	1	03528	BOARD CONTROL, CUT-OFF LOW WATER
3	12	23111	WASHER, LOCK, INTERNAL TOOTH, #8, ZINC PLTD
2	12	14674	NUT, HEX, 6-32, ZINC PLTD
1	1	409391	BOX, WELDMENT, ELECT, CAL CODE LG STM COIL GEN

TOLERANCES (EXCEPT AS NOTED)			
CLEVELAND RANGE INC. 1333 East 170th St. Cleveland, Ohio 44110-2574			
DECIMAL ± N/A	SCALE 1/2=1	DRAWN BY E. GRIVEAS	APPROVED BY
ANGULAR ± N/A	TITLE BOX, ELECTRIC, STEAM COIL CAL. CODE, LARGE STEAM COIL		
CK	DATE 02-28-94	DRAWING NO. C - FJE0002	REV. -

THIS DESIGN DESCRIBES A PROPRIETARY ITEM
 AND IS THE PROPERTY OF CLEVELAND RANGE.
 THIS DRAWING IS NOT TO BE COPIED OR USED
 WITHOUT THE APPROVAL OF CLEVELAND RANGE.

OPTION FOR NEXT ASS'Y: FJE0001

LET.	REVISIONS	DATE	BY
------	-----------	------	----



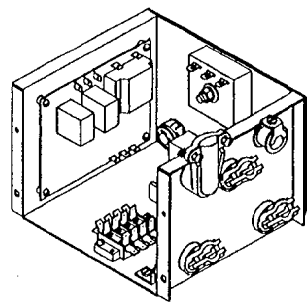
ITEM	QTY.	PART NO.	DESCRIPTION
6	4	100448	SCREW, HEX HEAD, 1/4-20 UNC-2A X 3/4
5	4	23105	WASHER, LOCK, MEDIUM PATTERN, 1/4" KATL. INK
4	4	23118	WASHER, FLAT, 1/4 X 5/8 OD. X .065 THK
3	1	16546	PLATE, BLOCK-OFF, 3.125 X 3.125
2	1	07128	GASKET
1	1	16545	PLATE, HAND HOLE

TOLERANCES (EXCEPT AS NOTED)		CLEVELAND RANGE INC. 1333 East 179th St. Cleveland, Ohio 44110-2574	
DECIMAL ± N/A	SCALE 1/2=1	DRAWN BY E. GRIVEAS	APPROVED BY NLT
ANGULAR ± N/A	TITLE PLATE, HAND HOLD, W/COVER FOR STEAM-COIL GENERATOR		
CK	DATE 11-08-93	DRAWING NO. B - 425	REV. -

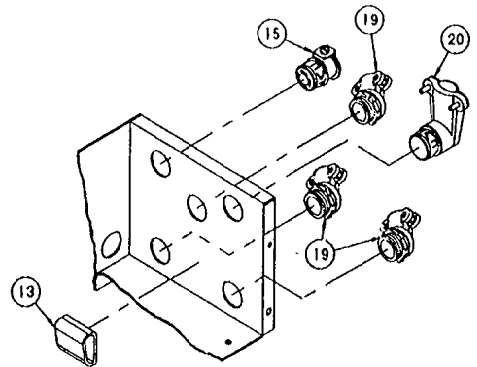
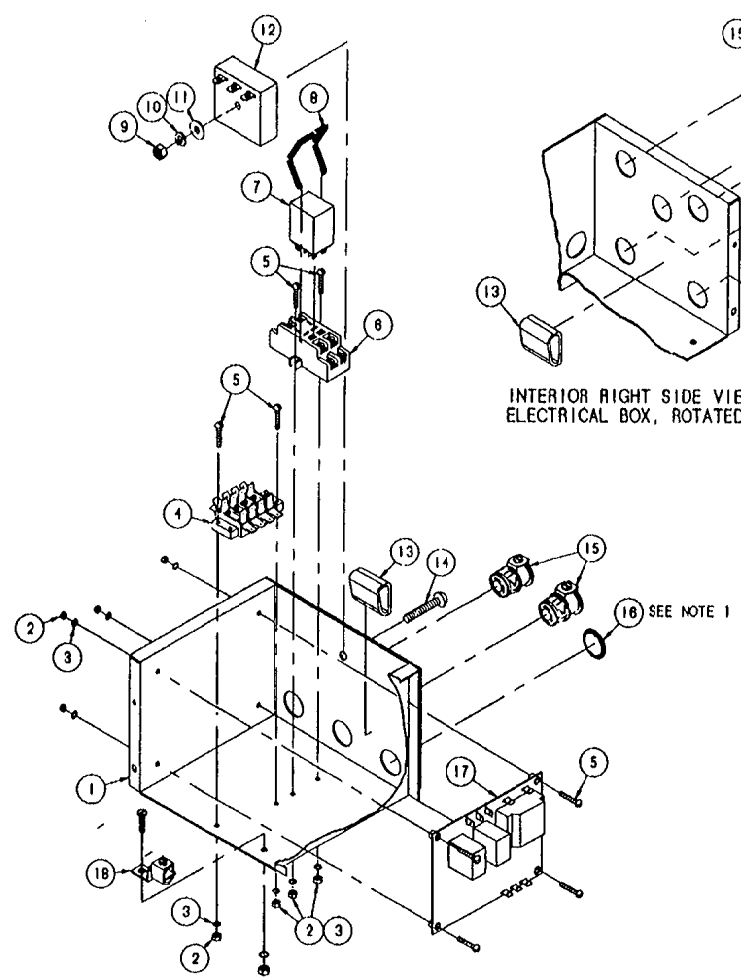
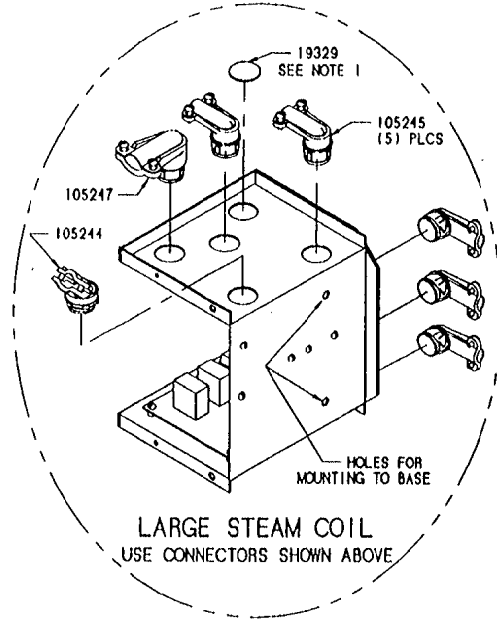
THIS DESIGN DESCRIBES A PROPRIETARY ITEM AND IS THE PROPERTY OF CLEVELAND RANGE. THIS DRAWING IS NOT TO BE COPIED OR USED WITHOUT THE APPROVAL OF CLEVELAND RANGE.

NOTES:

1. REMOVE P/N 19329 WHEN CAL. CODE / LWCO IS USED (SEE B.O.M. FOR APPROPRIATE CONNECTOR). FOR CAL. CODE ELECTRIC BOX ASS'Y ON LARGE STEAM COIL GENERATOR REFER TO DWG. FJEO002.
2. REFER TO DWG. 441681 FOR ELECTRIC BOX W/INTERMITTENT BLOWDOWN.



ASSEMBLED VIEW



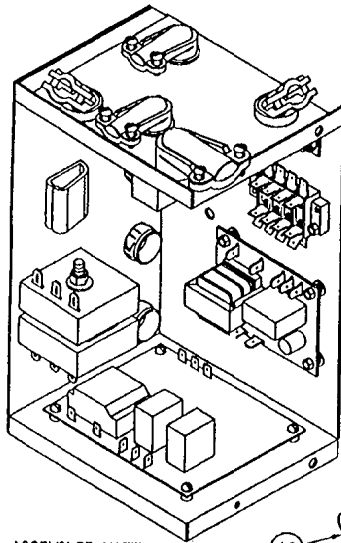
INTERIOR RIGHT SIDE VIEW OF ELECTRICAL BOX, ROTATED 90°

ITEM	QTY.	PART NO.	DESCRIPTION
20	1	105247	CONNECTOR, GREENFIELD, 1/2" X 90°
19	3	105244	CONNECTOR, GREENFIELD, 3/8" X 45°
18	1	12930	PLUG, SOLDERLESS GROUND FOR 10-14 GA. WIRE
17	1	23198	CONTROL, WATER LEVEL
16	1	19329	PLUG, SWAP-IN, 1/2" FOR 7/8" HOLE
15	3	105243	CONNECTOR, GREENFIELD, 3/8" STRAIGHT
14	1	19285	SCREW, ROUND HEAD, 1/4-20 X 1-1/2, S/S
13	2	23492	CLIP, MOUNTING, WIRE/CABLE, 1.25 X 1.50
12	1	20478	TIMER, SOLID STATE INTERVAL 3 MINUTE
11	1	23110	WASHER, FLAT, 1/4" ID X 5/8" OD X .065 THK
10	1	23105	WASHER, LOCK, MED PAT, 1/4" KATLINK STYLE, S/S
9	1	14818	NUT, HEX, 1/4-20, S/S, FULL FINISHED
8	1	105044	CLIP, WIRE, RELAY, 103524 - 035251
7	1	03524	RELAY, 120V, 50/60 HZ, AC, DPDT
6	1	03525	SOCKET, RELAY
5	8	19183	SCREW, ROUND HEAD SLOTTED, 8-32 X .75 ZINC PLTD
4	1	44184	TERMINAL BLOCK ASM. - 4 POLE GAS UNITS
3	8	23111	WASHER, LOCK, INTERNAL TOOTH, #8, ZINC PLTD
2	8	14874	NUT, HEX, 8-32, ZINC PLTD
1	1	40939	BOX, WELDMENT, ELECTRIC, STEAM COIL GENERATOR

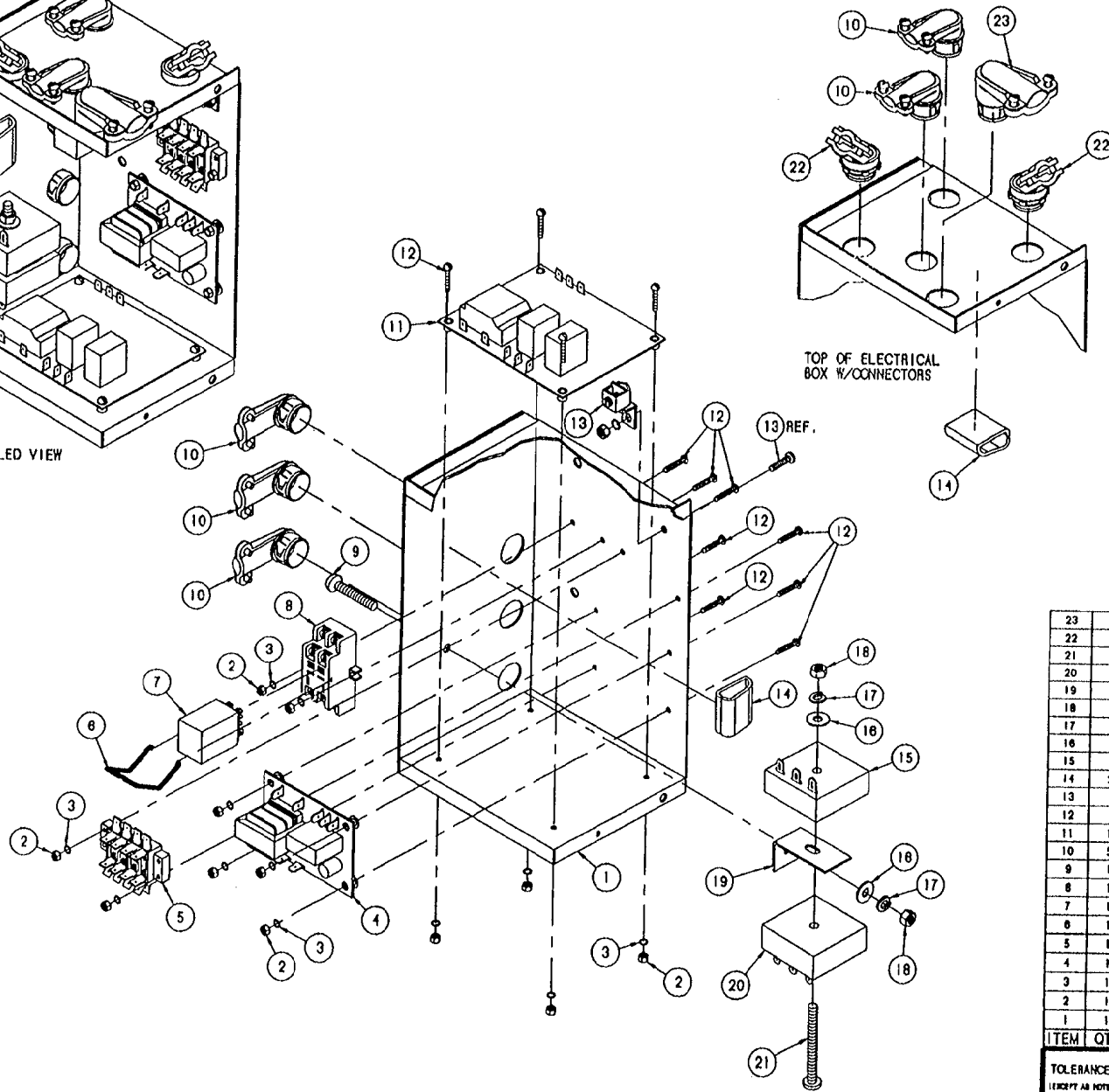
TOLERANCES <small>(EXCEPT AS NOTED)</small>			
CLEVELAND RANGE INC. 1333 East 179th St. Cleveland, Ohio 44110-2574			
DECIMAL ± N/A	SCALE 3/8=1	DRAWN BY E. GRIVEAS	APPROVED BY
ANGULAR ± N/A	TITLE BOX, ELECTRIC, ASSEMBLY STEAM COIL		
CK	DATE 10-20-93	DRAWING NO. C - 44166	REV. -

NEXT ASSY: DHD0011
DHE0012
DHF0013
FJEO031

THIS DESIGN DESCRIBES A PROPRIETARY ITEM AND IS THE PROPERTY OF CLEVELAND RANGE. THIS DRAWING IS NOT TO BE COPIED OR USED WITHOUT THE APPROVAL OF CLEVELAND RANGE.



ASSEMBLED VIEW



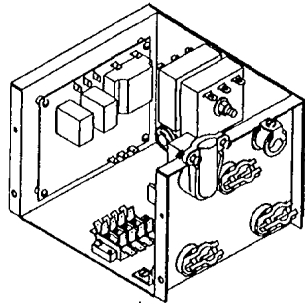
TOP OF ELECTRICAL BOX W/CONNECTORS

ITEM	QTY.	PART NO.	DESCRIPTION
23	1	105217	CONNECTOR, GREENFIELD, 1/2" X 90°
22	2	105214	CONNECTOR, GREENFIELD, 3/8" X 45°
21	1	106118	SOLT, 1/4-20 X 2-1/2" ZINC PLTD, INTRMT. TIMER
20	1	104716	TIMER, RECGLNS, GENERATOR W/BLOWDOWN
19	1	105955	BRACKET, CTRL MOUNT
18	1	14618	NUT, HEX, 1/4-20, S/S, FULL FINISHED
17	1	23105	WASHER, LOCK, MED PAT, 1/4" KATLINK STYLE, S/S
16	1	23116	WASHER, FLAT, 1/4: 10 X 3/8" OD X .065 THK
15	1	20476	TIMER, SOLID STATE INTERVAL 3 MINUTE
14	2	23432	CLIP, MOUNTING, WIRE/CABLE, 1.25 X 1.50
13	1	12330	LUG, SOLDERLESS GROUND FOR 10-14 GA. WIRE
12	12	19163	SCREW, ROUND HEAD SLOTTED, 8-32 X .75 ZINC PLTD
11	1	23198	CONTROL, WATER LEVEL
10	3	105245	CONNECTOR, GREENFIELD, 3/8" X 90°
9	1	19265	SCREW, ROUND HEAD, 1/4-20 X 1-1/2, S/S
8	1	03525	SOCKET, RELAY
7	1	03524	RELAY, 120V, 50/60 HZ, AC, DPDT
6	1	105044	CLIP, WIRE, RELAY, (03524 - 03525)
5	1	44184	TERMINAL BLOCK ASM, - 4 POLE GAS UNITS
4	1	03526	BOARD CONTROL, CUT-OFF LOW WATER
3	12	23111	WASHER, LOCK, INTERNAL TOOTH, #8, ZINC PLTD
2	12	14674	NUT, HEX, 8-32, ZINC PLTD
1	1	409391	BOX, WELDMENT, ELECT, CAL CODE LG STM COIL GEN

TOLERANCES (EXCEPT AS NOTED)			
DECIMAL	SCALE	DRAWN BY	APPROVED BY
± N/A	1/2=1	E. GRIVEAS	
ANGULAR	TITLE		
± N/A	BOX, ELECTRIC, ASSEMBLY CAL. CODE W/INTER. BLOWDOWN, LARI. .AM COIL		
DATE	DRAWING NO.	REV.	

THIS DESIGN DESC AND IS THE PROP. THIS DRAWING IS N. PROPRIETARY ITEM LEVELAND RANGE. BE COPIED OR USED WITHOUT THE APPROVAL OF CLEVELAND RANGE.

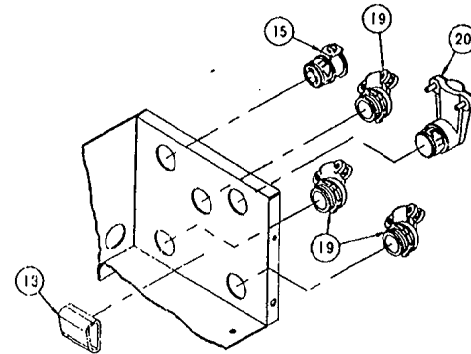
OPTION FOR NEXT ASS'Y: FJL0001



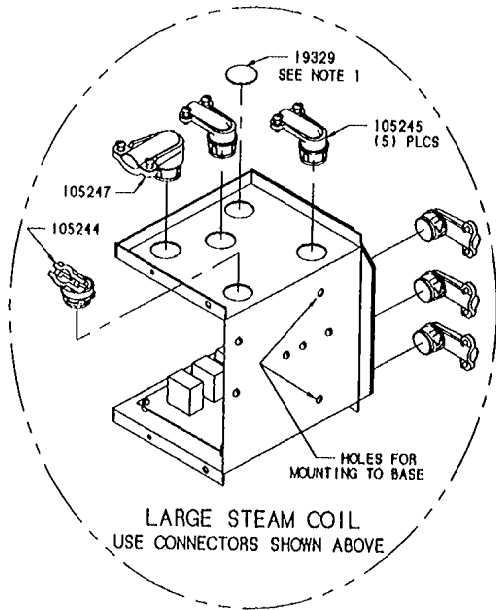
ASSEMBLED VIEW

NOTES:

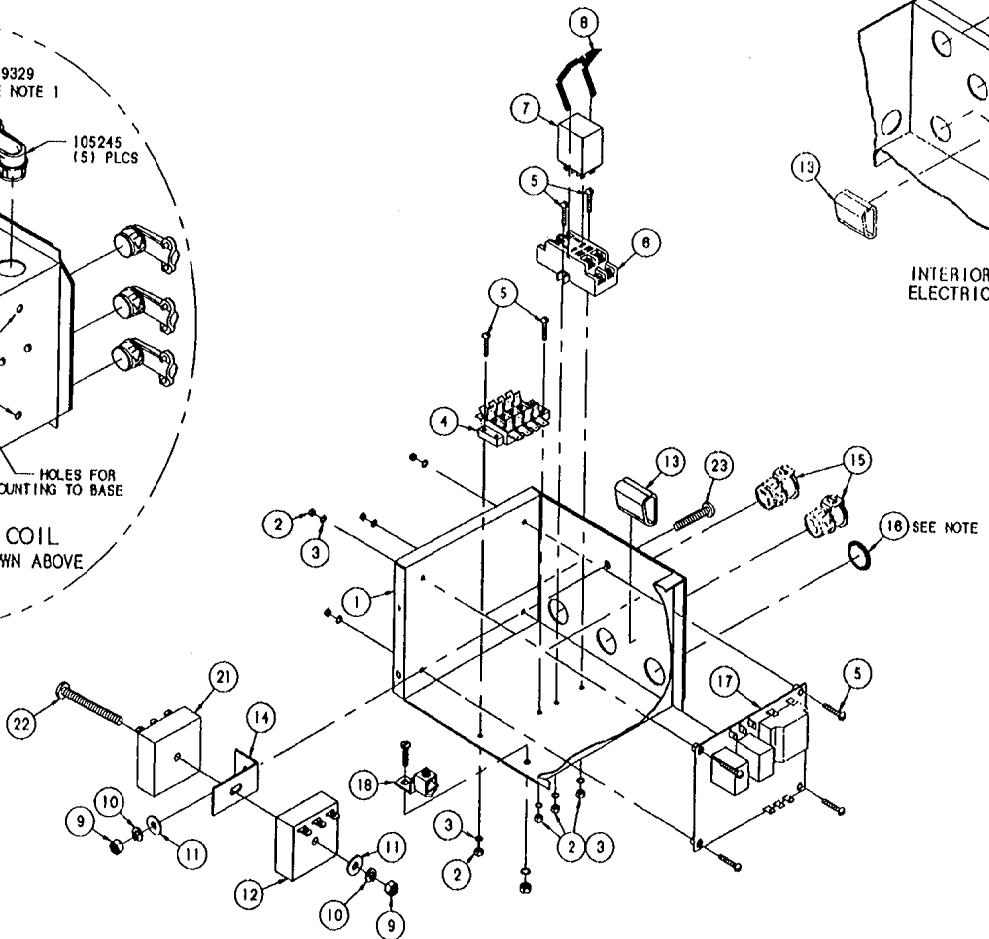
- REMOVE P/N 19329 WHEN CAL. CODE / LWCO IS USED (SEE B.O.M. FOR APPROPRIATE CONNECTOR). FOR CAL. CODE ELECTRIC BOX ASS'Y ON LARGE STEAM COIL GENERATOR REFER TO DWG. FJE0002.



INTERIOR RIGHT SIDE VIEW OF ELECTRICAL BOX, ROTATED 90°



LARGE STEAM COIL
USE CONNECTORS SHOWN ABOVE



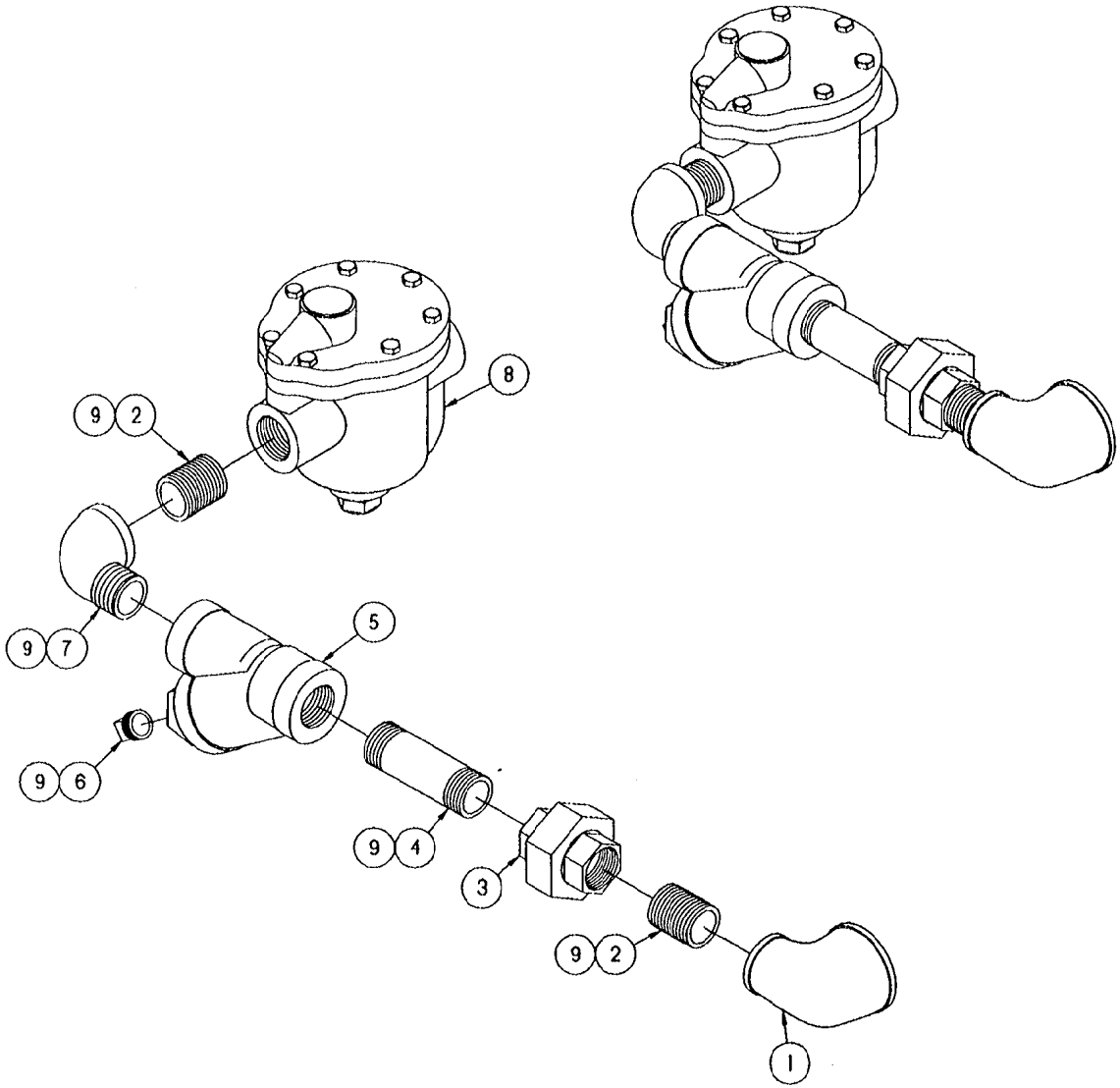
ITEM	QTY.	PART NO.	DESCRIPTION
23	1	19285	SCREW, ROUND HEAD, 1/4-20 X 1-1/2, S/S
22	1	100118	BOLT, 1/4-20 X 2-1/2" ZINC PLTD, INTFRM. TIMER
21	1	104718	TIMER, RECYCLING, GENERATOR W/BLOWDOWN
20	1	105247	CONNECTOR, GREENFIELD, 1/2" X 90°
19	3	105244	CONNECTOR, GREENFIELD, 3/8" X 45°
18	1	12330	LUG, SOLDERLESS GROUND FOR 10-14 GA. WIRE
17	1	23198	CONTROL, WATER LEVEL
16	1	19329	PLUG, SNAP-IN, 1/2" FOR 7/8" HOLE
15	3	105243	CONNECTOR, GREENFIELD, 3/8" STRAIGHT
14	1	105955	BRACKET, CTRL MOUNT
13	2	23432	CLIP, MOUNTING, WIRE/CABLE, 1.25 X 1.50
12	1	20478	TIMER, SOLID STATE INTERVAL 3 MINUTE
11	2	23118	WASHER, FLAT, 1/4: 10 X 5/8" OD X .095 THK
10	2	23105	WASHER, LOCK, MED PAT, 1/4" KATLINK STYLE, S/S
9	2	14818	NUT, HEX, 1/4-20, S/S, FULL FINISHED
8	1	105044	CLIP, WIRE, RELAY, 103524 - 03525
7	1	03524	RELAY, 120V, 50/60 HZ, AC, DPDT
6	1	03525	SOCKET, RELAY
5	8	19183	SCREW, ROUND HEAD SLOTTED, 8-32 X .75 ZINC PLTD
4	1	44184	TERMINAL BLOCK ASM. - 4 POLE GAS UNITS
3	8	23111	WASHER, LOCK, INTERNAL TOOTH, 1/8, ZINC PLTD
2	8	14874	NUT, HEX, 8-32, ZINC PLTD
1	1	40939	BOX, WELDMENT, ELECTRIC, STEAM COIL GENERATOR

THIS DESIGN DESCRIBES A PROPRIETARY ITEM AND IS THE PROPERTY OF CLEVELAND RANGE. THIS DRAWING IS NOT TO BE COPIED OR USED WITHOUT THE APPROVAL OF CLEVELAND RANGE.

NEXT ASSY: DHD0011
DHF0012
DJE0013
FJE0001

TOLERANCES (UNLESS AS NOTED)		CLEVELAND RANGE INC. 1333 East 179th St. Cleveland, Ohio 44110-2574	
DECIMAL ± N/A	SCALE 3/8=1	DRAWN BY E. GRIVEAS	APPROVED BY
ANGULAR ± N/A	TITLE BOX, ELECTRIC, STEAM COIL W/INTERMITTENT BLOWDOWN		
CK	DATE 11-18-93	DRAWING NO. C - 441661	REV. -

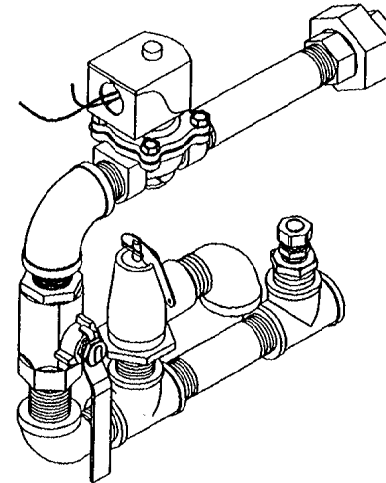
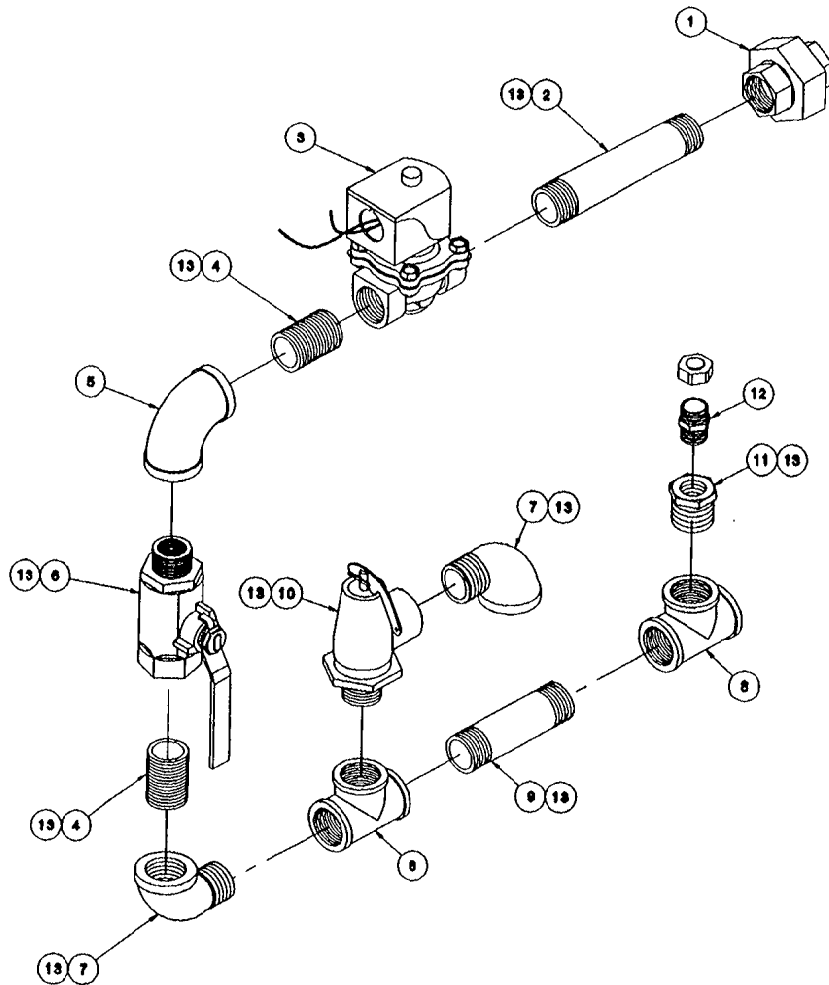
LET.	REVISIONS	DATE	BY
A	REMOVED 14359 ADDED 14343 REARRANGED ASSEMBLY	5-19-92	SM



ITEM	QTY.	PART NO.	DESCRIPTION
9	A/R	00934	SEALANT, RECTORSEAL
8	1	20555	TRAP, BUCKET, 60#, 3/4, 80#
7	1	05259	ELBOW, STREET, 90°, 3/4, BLACK
6	1	16602	PLUG, SQ HD, 1/2", CORED
5	1	19872	STRAINER, "Y", 3/4
4	1	14347	NIPPLE, 3/4 x 3", BLACK
3	1	21305	UNION, 3/4, BLACK
2	2	14343	NIPPLE, 3/4 x CLOSE, BLACK
1	1	05270	ELBOW, 90°, 1-1/4 x 3/4, BLACK

TOLERANCES (EXCEPT AS NOTED)		CLEVELAND RANGE INC. 1333 East 179th St. Cleveland, Ohio 44110-2574	
DECIMAL ± N/A	SCALE 3/8=1	DRAWN BY S. MILEWSKI	APPROVED BY
ANGULAR ± N/A	TITLE PIPING ASSEMBLY RETURN STEAM MANIFOLD LARGE STEAM COIL GENERATOR		
CK	DATE 05-13-92	DRAWING NO. B - 01703	REV. A

THIS DESIGN DESCRIBES A PROPRIETARY ITEM AND IS THE PROPERTY OF CLEVELAND RANGE. THIS DRAWING IS NOT TO BE COPIED OR USED WITHOUT THE APPROVAL OF CLEVELAND RANGE.

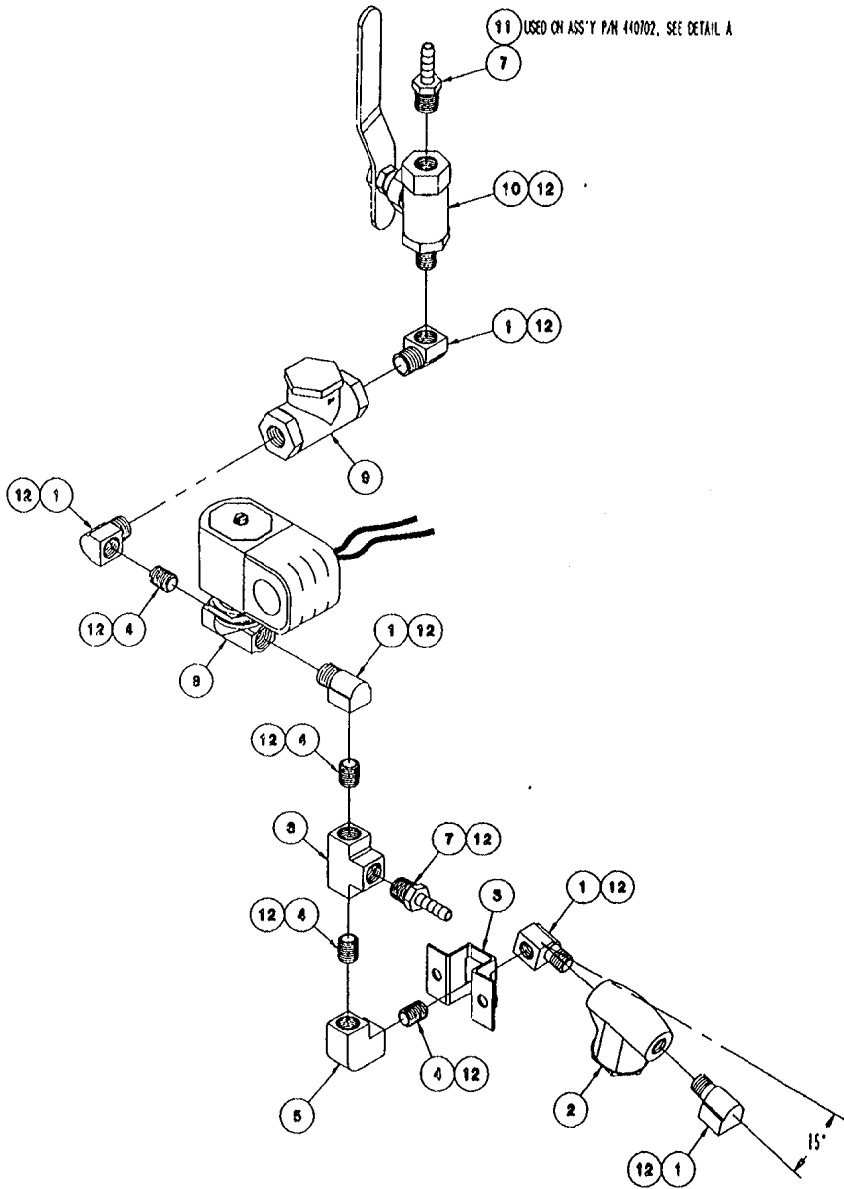


LET	REVISIONS	DATE	BY
C	P/N 14354 WAS 14356, P/N 14349 WAS 14351. P/N 02584 WAS 02583. P/N 08199 WAS 08218. P/N 03382 WAS ADDED - REDRAWN ON COMPUTER SEE E.O. #C-1789	09-20-90	GS
D	P/N 05259 WAS QTY. OF 1 P/N 00934 WAS ADDED P/N 03382 WAS OMITTED DWG. REDRAWN IN 3D CADKEY SEE E.O. #C-2106	01-29-92	PJD
E	P/N 03277 VALVE ROTATED 90°	11-16-93	PJD

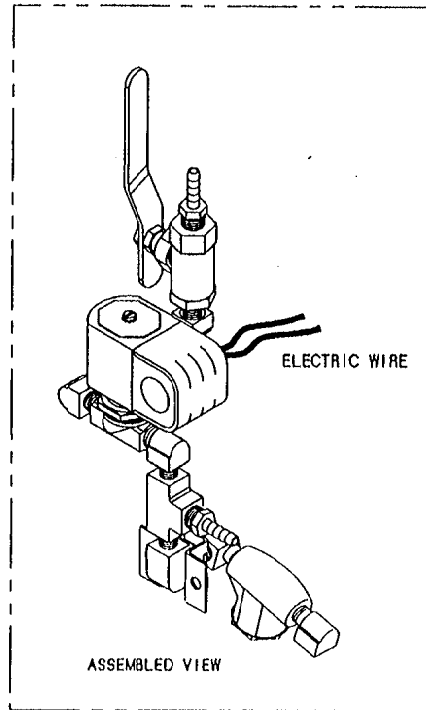
13	A/R	00934	SEALANT, RECTORSEAL
12	1	06199	FITTING, COMP, 3/8 x 3/8, STR
11	1	02584	BUSHING, HEX, 3/4 x 3/8, BLK
10	1	100075	VALVE, SAFETY RELIEF, 50 PSI
9	1	14349	NIPPLE, 3/4 X 3.500, BLACK
8	2	20205	TEE, 3/4, BLACK
7	2	05259	ELBOW, STREET, 90° X 3/4, BLK.
6	1	03277	VALVE, BALL, 3/4, BRASS
5	1	05258	ELBOW, 90°, 3/4, BLACK
4	2	14343	NIPPLE, 3/4 X CLOSE, BLACK
3	1	22193	VALVE, SOLINOID, 3/4, 50 PSI
2	1	14354	NIPPLE, BLACK 3/4" X 5.00"
1	1	21305	UNION, BLACK, 3/4"
NO.	QTY.	PART NO.	DESCRIPTION
TOLERANCES (UNLESS OTHERWISE SPECIFIED)			
CLEVELAND RANGE INC. 1333 East 179th St., Cleveland, Ohio 44110-2574			
DECIMAL ± N/A	SCALE 1/2"=1	DRAWN BY DUTCHMAN	APPROVED BY
ANGULAR ± N/A	TITLE STEAM SUPPLY VALVE STEAM COIL PIPING ASSY.		
CK	DATE 01-29-92	DRAWING NO. C - 42809	REV. E

THIS DESIGN DESCRIBES A PROPRIETARY ITEM AND IS THE PROPERTY OF CLEVELAND RANGE. THIS DRAWING IS NOT TO BE COPIED OR USED WITHOUT THE APPROVAL OF CLEVELAND RANGE.

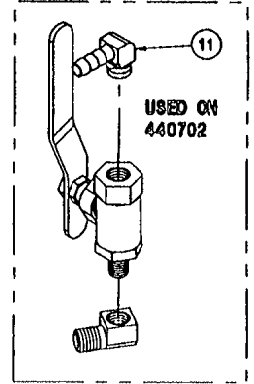
NOTE: 1. MOUNT P/N 100084 TO LOWER RIGHT FRONT SUSSET (BASE FRAME).



11 USED ON ASS'Y P/N 440702, SEE DETAIL A



LET.	REVISIONS	DATE	BY
A	REDRAWN - WAS COMBINED w/ 44070 & 440702. CHANGED ASSY ANGLE ORIENTATIONS.	1-21-92	SM
B	NEW VALVE HOUSING ON P/N 22223 (PICTORIAL ONLY) PER E.O. IC-2221 R1.	02-04-93	PJD
C	P/N 22223 REVISED PICTORIALLY P/N'S 18819 & 08218 OMITTED ADDED P/N 104381, AND ADDED ASSY 440702 PER E.O. IC-2448	08-18-93	EAG



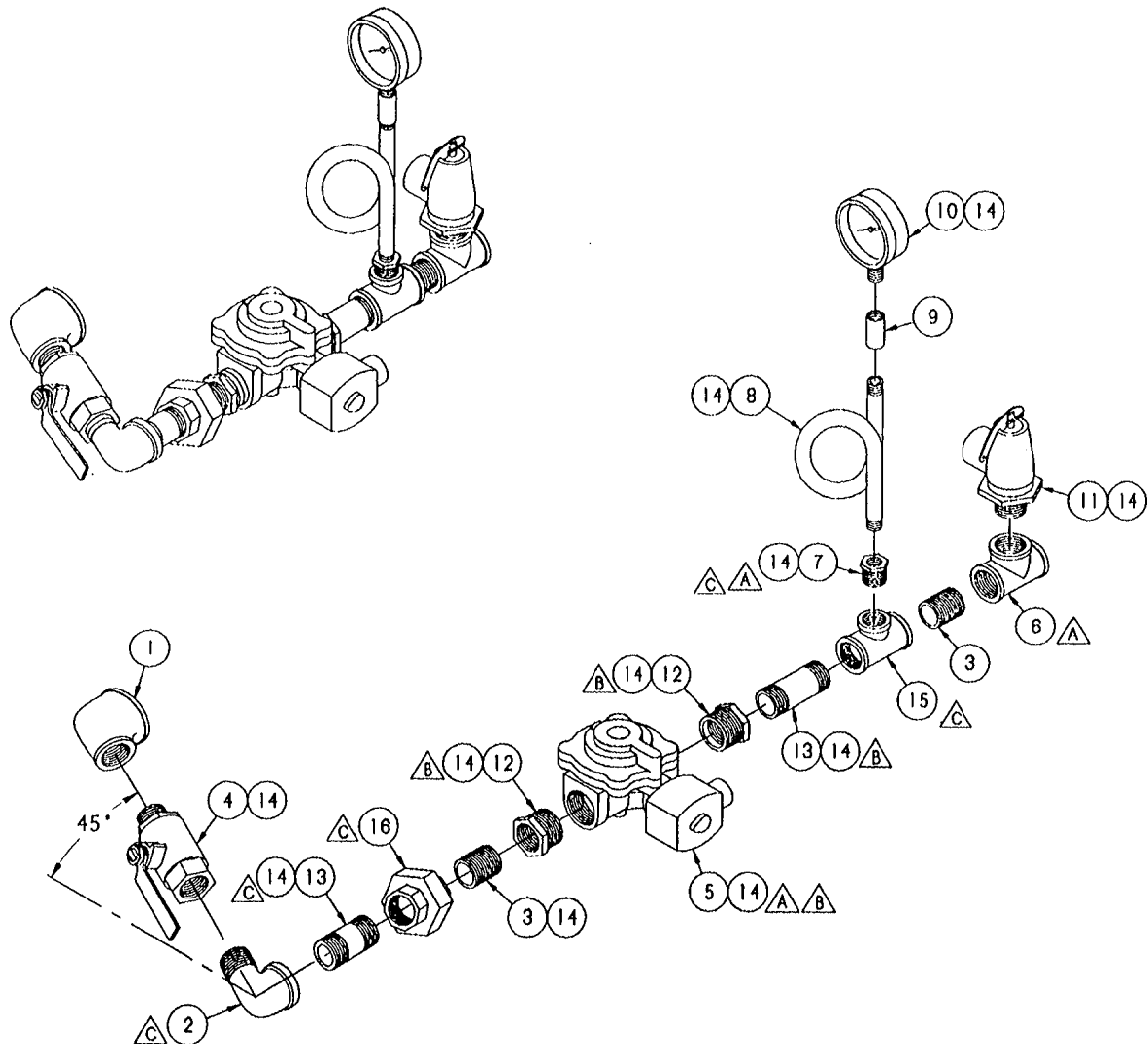
A/R	A/R	12	PART NO.	DESCRIPTION
			00934	SEALANT, RECTORSEAL
			105788	FITTING, HOSEBARB, 1/4H X 1/4MPT, 90°
			03278	VALVE, BALL, 1/4
			22102	VALVE, SWING CHECK, 1/4
			22223	VALVE, SOLENOID, 1/4 (GP200)
			104381	FITTING, HOSE, 1/4 H X 1/4 NPT
			20199	TEE, 1/4, BRASS
			05236	ELBOW, 1/4, 90°, BRASS
			14304	NIPPLE, 1/4 X CLOSE, BRASS
			100084	CLAMP, MOUNTING
			19870	STRAINER, "V", 1/4, BRASS
			05235	ELBOW, STREET, 1/4, 90°, BRASS

SEE NOTE 1

THIS DESIGN DESCRIBE... RIETARY ITEM AND IS THE PROPERTY C... ELAND RANGE. THIS DRAWING IS NOT TO BE COPIED OR USED WITHOUT THE APPROVAL OF CLEVELAND RANGE

QTY.	QTY. NO.	PART NO.	DESCRIPTION
440702			
440701			

TOLERANCES (EXCEPT AS NOTED)			
CLEVELAND RANGE INC.			
1333 East 179th St. Cleveland, Ohio 44110-2574			
DECIMAL ± 1/4	SCALE 1/2=1	DRAWN BY S. MILEWSKI	APPROVED BY
ANGULAR ± 1°	TITLE PIPING ASSY., "V" STEAM COIL AND		FEED JRES
DATE 01-21-92	DRAWING NO. C - 440701	440702	REV C



LET.	REVISIONS	DATE	BY
A	REMOVED 05259, 21305, 02557, 20209, 02570 REPLACED 101899 WITH 22193 ADDED 05263, 20205, 02582	5-19-92	SM
B	CHANGED 101899 FROM 22193 ADDED 02598, 14345	7-20-92	SM
C	ADDED 21305 & 20209; 02557 WAS 02562; 14344 WAS 14345; 05259 WAS 05263; 20205 WAS QTY 12)	12-2-93	EAG

△C	16	1	21305	UNION, PIPE, 3/4" BLK. NO WARWICKS
△C	15	1	20209	TEE, 3/4" X 3/4" x 1/2, BLACK
	14	A/R	00934	SEALANT, RECTORSEAL
△C	13	2	14344	NIPPLE, 3/4 x 2", BLACK
△B	12	2	02598	BUSHING, HEX, 1" x 3/4, BLACK
	11	1	100075	VALVE, BOILER SAFTEY, 50 PSI
	10	1	07169	GUJAGE, 0-100 PSI, 1/4 NPT
	9	1	03665	COUPLING, FULL, 1/4, S/S
	8	1	16820	PIPE, PIGTAIL, 1/4
△C	7	1	02557	BUSHING, 1/2 x 1/4, BLACK
△C	6	1	20205	TEE, 3/4, BLACK
△B	5	1	101899	VALVE, STEAM SOLENOID, 1" NPT
	4	1	03277	VALVE, BALL, 3/4, BRASS
	3	2	14343	NIPPLE, 3/4 x CLOSE, BLACK
△C	2	1	05259	ELBOW, STREET, 90°, 3/4, BLACK
	1	1	05270	ELBOW, 90°, 1-1/4 x 3/4, BLACK
	ITEM	QTY.	PART NO.	DESCRIPTION

TOLERANCES
(EXCEPT AS NOTED)

CLEVELAND RANGE INC.
1333 East 179th St. Cleveland, Ohio 44110-2574

DECIMAL
± N/A
ANGULAR
± N/A

SCALE
1/4=1

DRAWN BY
S. MILEWSKI

APPROVED BY

TITLE
PIPING ASSEMBLY - STEAM SUPPLY
LARGE STEAM COIL GENERATOR

CK

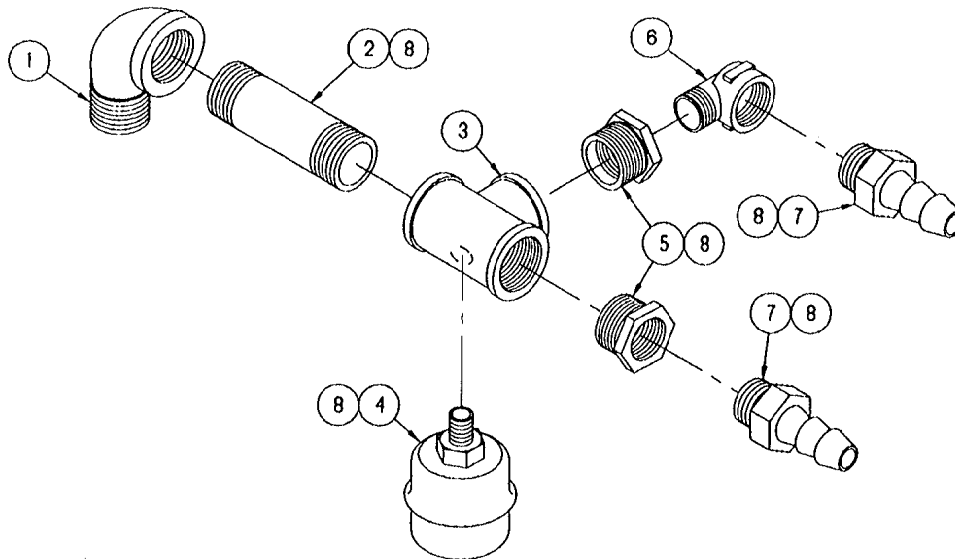
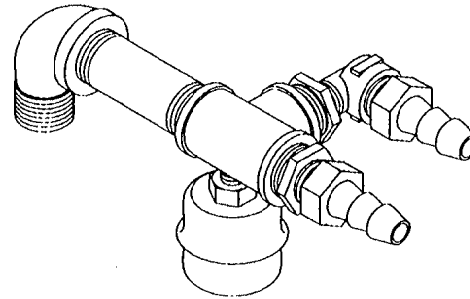
DATE
05-13-92

DRAWING NO.
B - 101723

REV.
C

THIS DESIGN DESCRIBES A PROPRIETARY ITEM AND IS THE PROPERTY OF CLEVELAND RANGE. THIS DRAWING IS NOT TO BE COPIED OR USED WITHOUT THE APPROVAL OF CLEVELAND RANGE.

LET.	REVISIONS	DATE	BY
A	REPLACED 14494 WITH 14355 70413 WITH 03732 REMOVED 101708, 05231, 02570 QTY 2	5-19-92	SM
B	REMOVED P/N 03732 ADDED P/N 20208, 14342	7-17-92	SM
C	REMOVED 02563, 20208 & 14342; ADDED 70413, 101708; 14494 WAS 14355; 02570 WAS QTY (1)	12-03-93	EAG

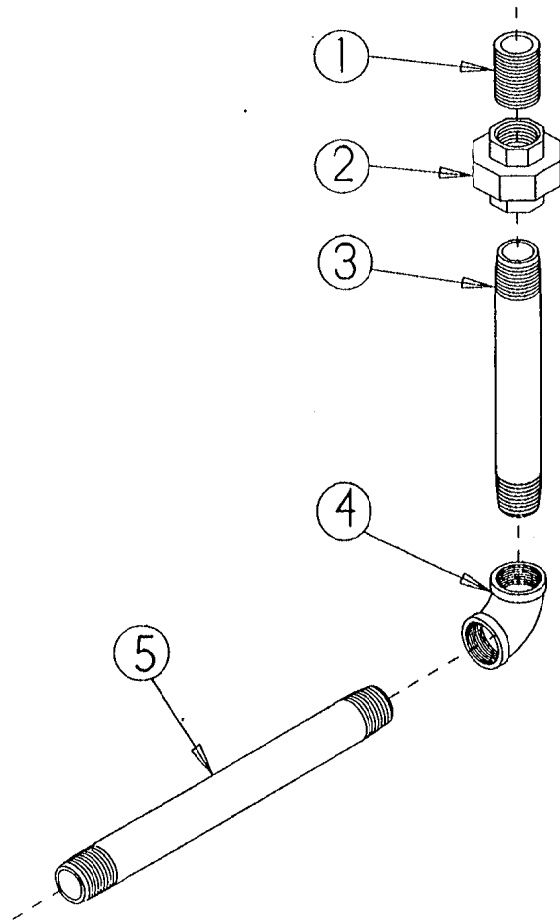


8	A/R	00934	SEALANT, RECTORSEAL
7	2	08240	FITTING, HOSE BARB, 3/4 H x 3/4
6	1	05231	ELBOW, STREET, 90°, 3/4, BRASS
5	2	02570	BUSHING, HEX, 1" X 3/4", BRASS
4	1	101207	TRAP, THERMOSTATIC, 1/4 NPT
3	1	70413	TEE, 1", BRASS - MODIFIED (PCL ST COIL)
2	1	14494	NIPPLE, 1 X 4, BRASS
1	1	101708	ELBOW, STREET, 90°, 1", BRASS
ITEM	QTY.	PART NO.	DESCRIPTION

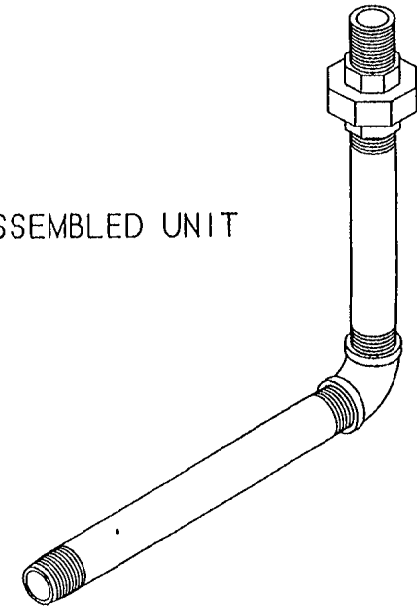
TOLERANCES (EXCEPT AS NOTED)		CLEVELAND RANGE INC. 1333 East 179th St. Cleveland, Ohio 44110-2574		
DECIMAL ± N/A	SCALE 3/8=1	DRAWN BY S. MILEWSKI	APPROVED BY	
ANGULAR ± N/A	TITLE PIPING ASSM, STEAM OUTLET PCL, STEAM COIL GENERATOR			
CK	DATE 05-13-92	DRAWING NO. B - 101724	REV. C	

THIS DESIGN DESCRIBES A PROPRIETARY ITEM AND IS THE PROPERTY OF CLEVELAND RANGE. THIS DRAWING IS NOT TO BE COPIED OR USED WITHOUT THE APPROVAL OF CLEVELAND RANGE.

LET	REVISIONS	DATE	BY
A	ITEM 3 WAS 14382 & 7.500 ITEM 5 WAS 14388 & 10.500 REDRAWN - E.O. #C-1994	08-08-91	PJD



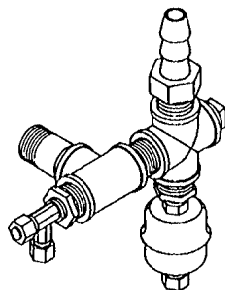
ASSEMBLED UNIT



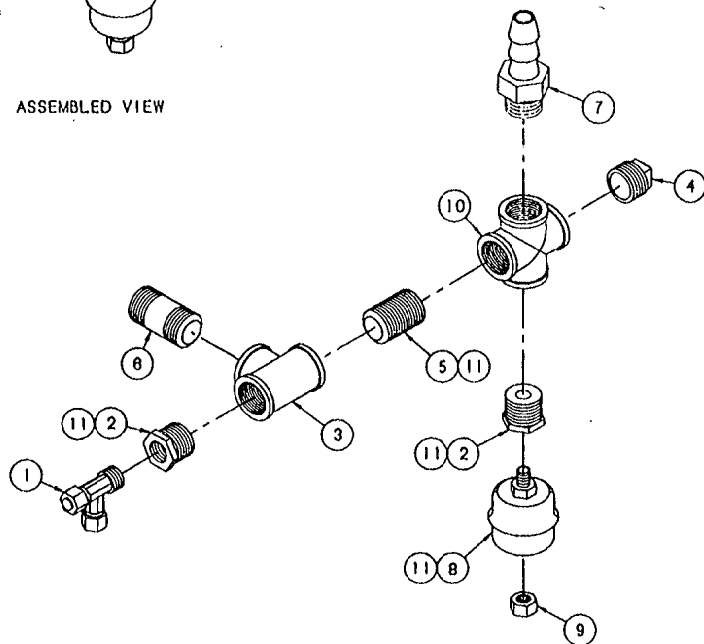
NO.	QTY.	PART NO.	DESCRIPTION
5	1	14388	NIPPLE, 3/4 NPT X 10.00 BLACK
4	1	05258	ELBOW, 3/4 X 90° BLACK
3	1	14380	NIPPLE, 3/4 NPT X 7.00 BLACK
2	1	21305	UNION, 3/4 NPT BLACK
1	1	14343	NIPPLE, CLOSE, 3/4 NPT BLACK

TOLERANCES <small>(EXCEPT AS NOTED)</small>			
CLEVELAND RANGE INC. 1333 East 179th St. Cleveland, Ohio 44110-2574			
DECIMAL ± N/A	SCALE 1/2"	DRAWN BY J.J.	APPROVED BY
ANGULAR ± N/A	TITLE PIPING ASS'Y. STEAM SUPPLY - STEAM COIL REVERSE BEND		
CK	DATE 10-31-84	DRAWING NO. C-42808	REV. A

THIS DESIGN DESCRIBES A PROPRIETARY ITEM AND IS THE PROPERTY OF CLEVELAND RANGE. THIS DRAWING IS NOT TO BE COPIED OR USED WITHOUT THE APPROVAL OF CLEVELAND RANGE.



ASSEMBLED VIEW



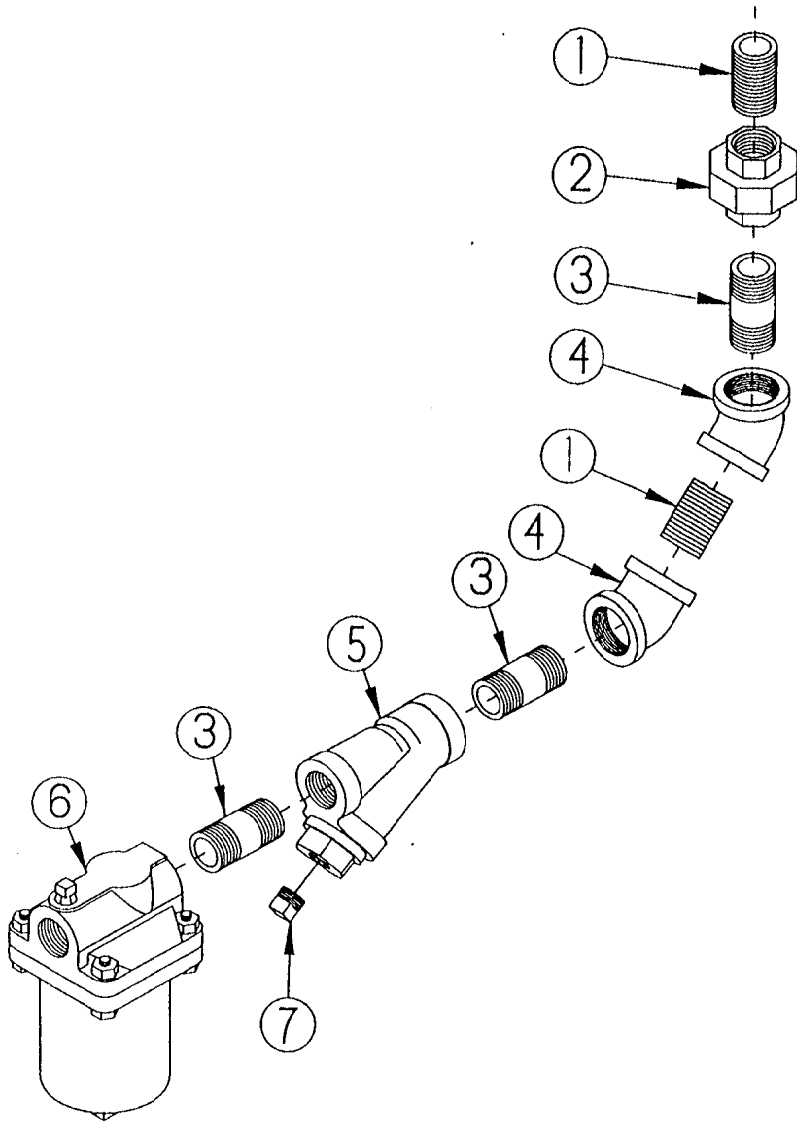
REF.	REVISIONS	DATE	BY
A	ITEM 4 WAS P/N 06206		
B	ITEM 1 & 2 CHANGED POSITION W/ ITEM 8		
C	ITEMS 1, 2 & 8 RETURNED TO ORIGINAL POSITION. E.O. - 1851	12-10-90	GS
D	REDRAWN ON CADKEY ONLY CHANGE	10-13-93	EG

ITEM	QTY.	PART NO.	DESCRIPTION
11	A/R	00934	SEALANT, RECTORSEAL
10	1	03732	CROSS, 4-WAY 3/4" BRASS
9	1	14661	NUT, COMPRESSION, 1/4" TUBE, BRASS
8	1	101207	TRAP, THERMOSTATIC, 1/4" X 1/4"
7	1	08240	FITTING, HOSE BARB, 3/4" HOSE X 3/4" MPT BRASS
6	1	14431	NIPPLE, 3/4 X 2, BRASS
5	1	14342	NIPPLE, 3/4 X CLOSE, BRASS
4	1	16607	PLUG, SQUARE HEAD, 3/4, BRASS
3	1	20206	TEE, 3/4 BRASS
2	2	02583	BUSHING, REDUCING, 3/4 X 1/4, BRASS
1	1	100883	FITTING, COMP., TEE 3/8T X 3/8MPT X 3/8T

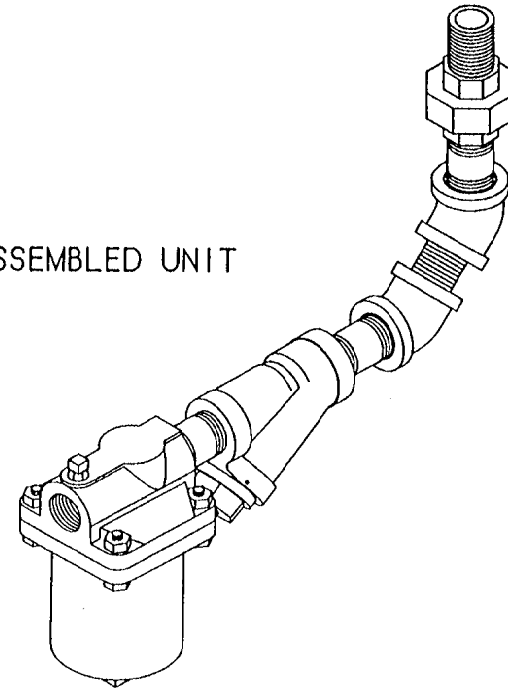
TOLERANCES <small>(EXCEPT AS NOTED)</small>		CLEVELAND RANGE INC. 1333 East 179th St. Cleveland, Ohio 44110-2974	
DECIMAL ± N/A	SCALE 1/2"=1"	DRAWN BY GS	APPROVED BY
FRACTIONAL ± N/A	TITLE STEAM OUTLET ASSEMBLY 21CSM		
CK	DATE 12-3-90	DRAWING NO. C - 428123	

THIS DESIGN DESCRIBES A PROPRIETARY ITEM AND IS THE PROPERTY OF CLEVELAND RANGE. THIS DRAWING IS NOT TO BE COPIED OR USED WITHOUT THE APPROVAL OF CLEVELAND RANGE.

LET	REVISIONS	DATE	BY
A	ITEM 1 WAS QTY. OF 4 ITEM 3 WAS QTY. OF 1 ADDED ITEM 7 - PLUG REDRAWN - E.O. #C-1994	08-08-91	PJD



ASSEMBLED UNIT

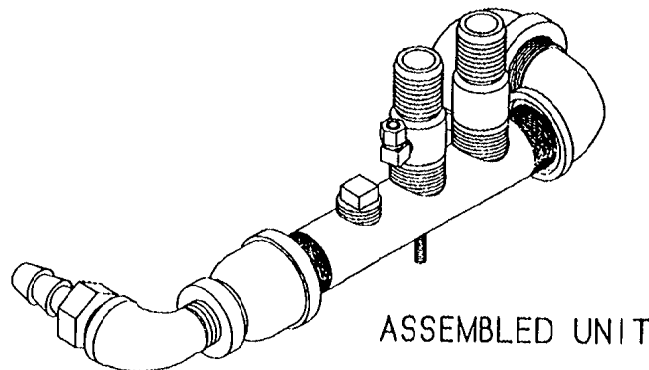
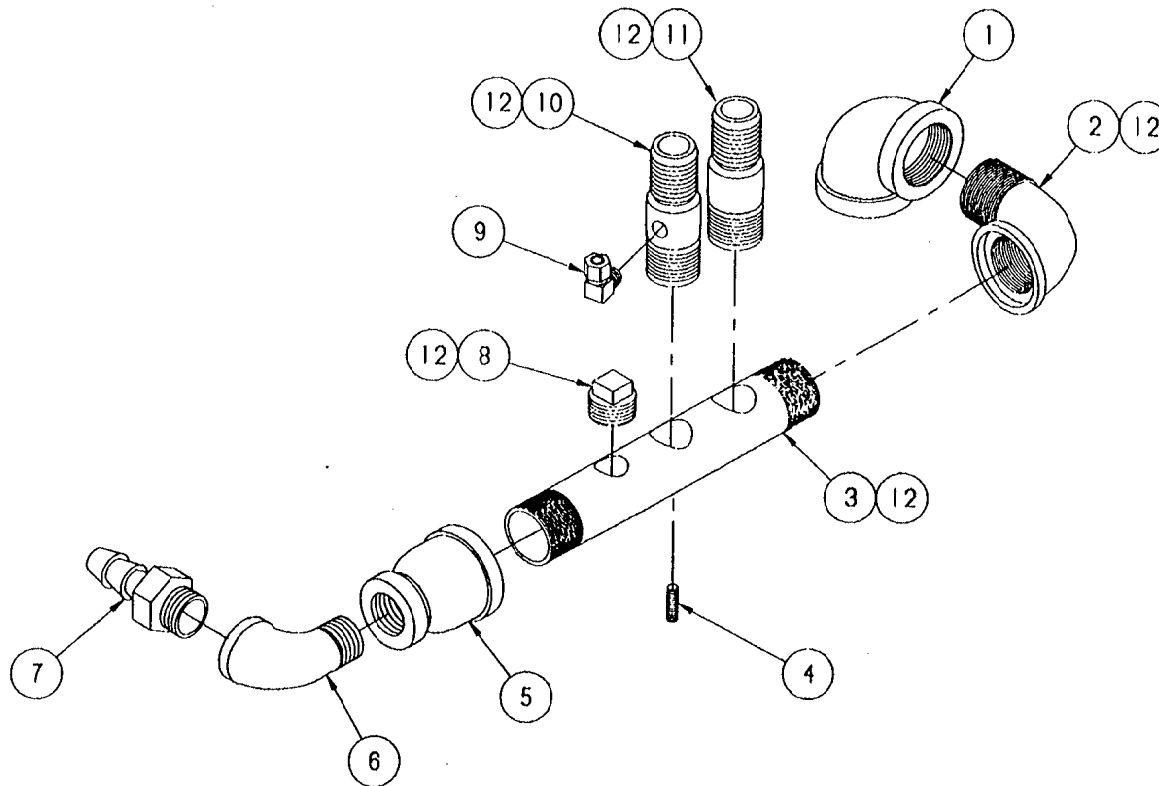


NO.	QTY.	PART NO.	DESCRIPTION
7	1	18801	PLUG, SQUARE HEAD 3/8" PIPE BLACK
6	1	20555	TRAP, BUCKET #80 3/4-80#
5	1	19872	STRAINER, 3/4 NPT BLACK
4	2	05282	ELBOW, 3/4 X 45° BLACK
3	3	14344	NIPPLE, 3/4 NPT X 2.00 BLACK
2	1	21305	UNION, 3/4 NPT BLACK
1	2	14343	NIPPLE, CLOSE, 3/4 NPT BLACK

NO.	QTY.	PART NO.	DESCRIPTION
TOLERANCES <small>(EXCEPT AS NOTED)</small>			
CLEVELAND RANGE INC. 1333 East 179th St. Cleveland, Ohio 44110-2571			
DECIMAL ± N/A	SCALE 1/2"	DRAWN BY J.J.	APPROVED BY -
ANGULAR ± N/A	TITLE PIPING ASS'Y, CONDENSATE DRAIN - STEAM COIL REVERSE BEND		
DATE	DRAWING NO.	REV.	

THIS DESIGN DESCRIBES A PROPRIETARY ITEM
AND IS THE PROPERTY OF CLEVELAND RANGE.
THIS DRAWING IS NOT TO BE COPIED OR USED

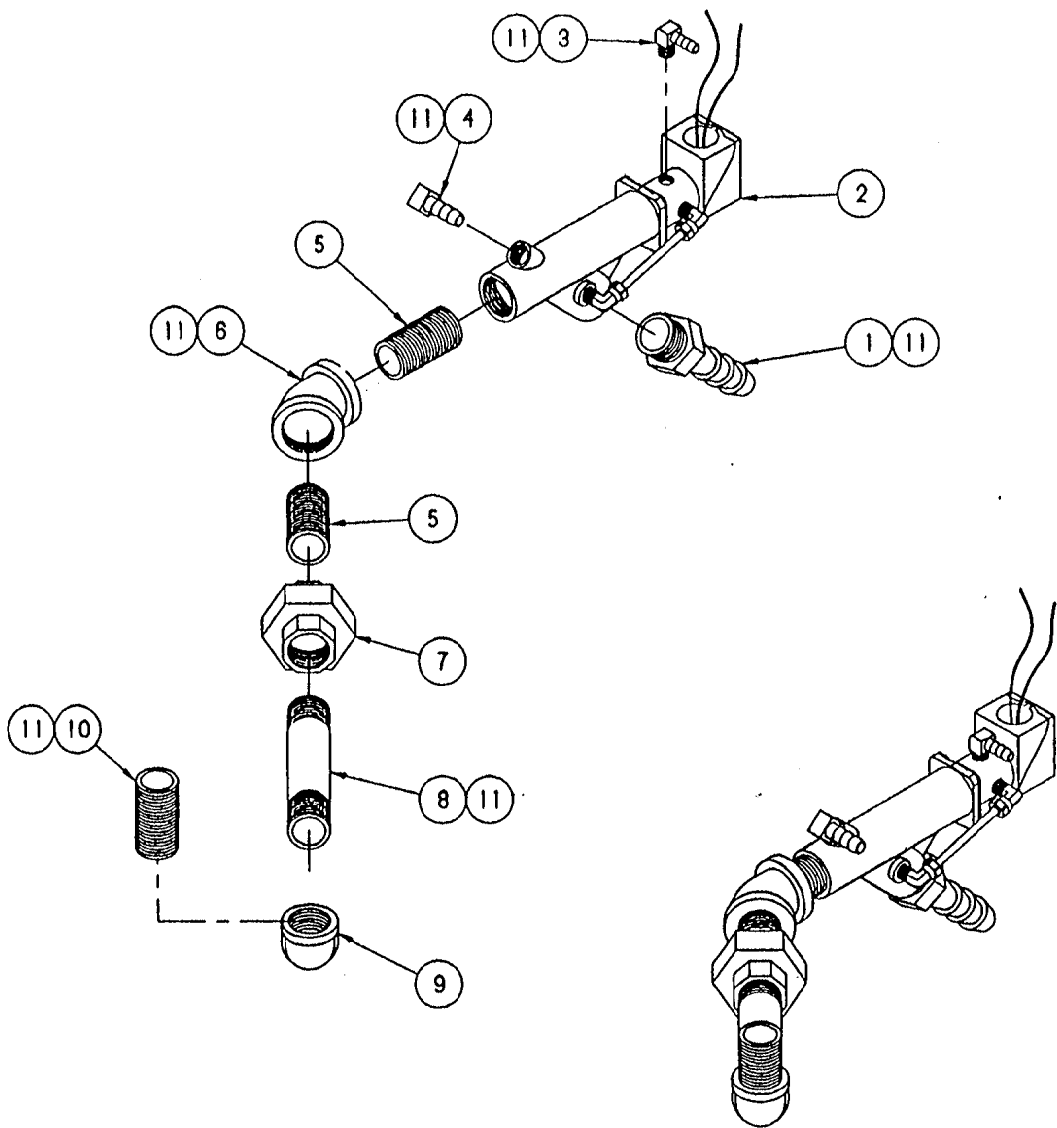
LET.	REVISIONS	DATE	BY
-	PRODUCTION RELEASE E.O. 4C-1994	08-23-91	PJD
A	P/N 14317 & 20205 OMITTED AND P/N 08210 WAS QTY. OF 2 PER E.O. 4C-2448	08-22-93	PJD



ITEM	QTY.	PART NO.	DESCRIPTION
12	M/R	00934	SEALANT, RECTORSEAL
11	1	14481	FITTING, BARB 1" H X 1" MPT S/S
10	1	585191	FITTING, HOSE, DRAIN MANIFOLD W/ 1/8 HOLE
9	1	08192	FITTING, COMP. 1/4 T X 1/8 MPT 90°
8	1	16808	PLUG, SQ. HEAD, 3/4" PIPE, BLACK
7	1	08240	FITTING, HOSE BARB 3/4 H X 3/4 MPT
6	1	05259	ELBOW, STREET 3/4 X 90°, BLACK
5	1	03818	COUPLING, RED. 1-1/2 X 3/4, BLACK
4	1	19917	STUD, WELD 1/4-20 X 7/8, S/S
3	1	13252	MANIFOLD, DRAIN 1-1/2 NPT, BLACK
2	1	05292	ELBOW, STREET 1-1/2 NPT X 90° BLACK
1	1	05238	ELBOW, 1-1/2 NPT X 90°, BLACK

TOLERANCES (EXCEPT AS NOTED)		CLEVELAND RANGE INC. 1333 East 179th St. Cleveland, Ohio 44110-2574		
DECIMAL ± N/A	SCALE 1/2"	DRAWN BY P. J. D.	APPROVED BY	
ANGULAR ± N/A	TITLE PIPING ASSEMBLY DRAIN 38CGM/SM, 38CGM/LG, 3. 24CSM, 36CSM			
CK	DATE 08-13-91	DRAWING NO. C - 42751	REV. A	

THIS DESIGN DESCRIBES A PROPRIETARY ITEM AND IS THE PROPERTY OF CLEVELAND RANGE. THIS DRAWING IS NOT TO BE COPIED OR USED WITHOUT THE APPROVAL OF CLEVELAND RANGE.



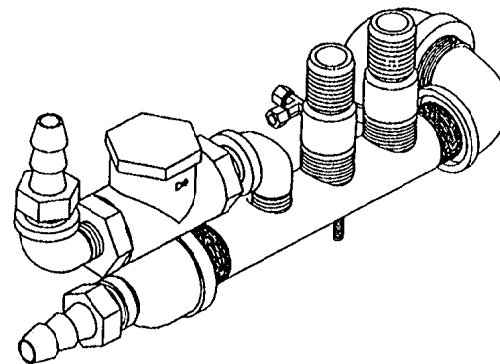
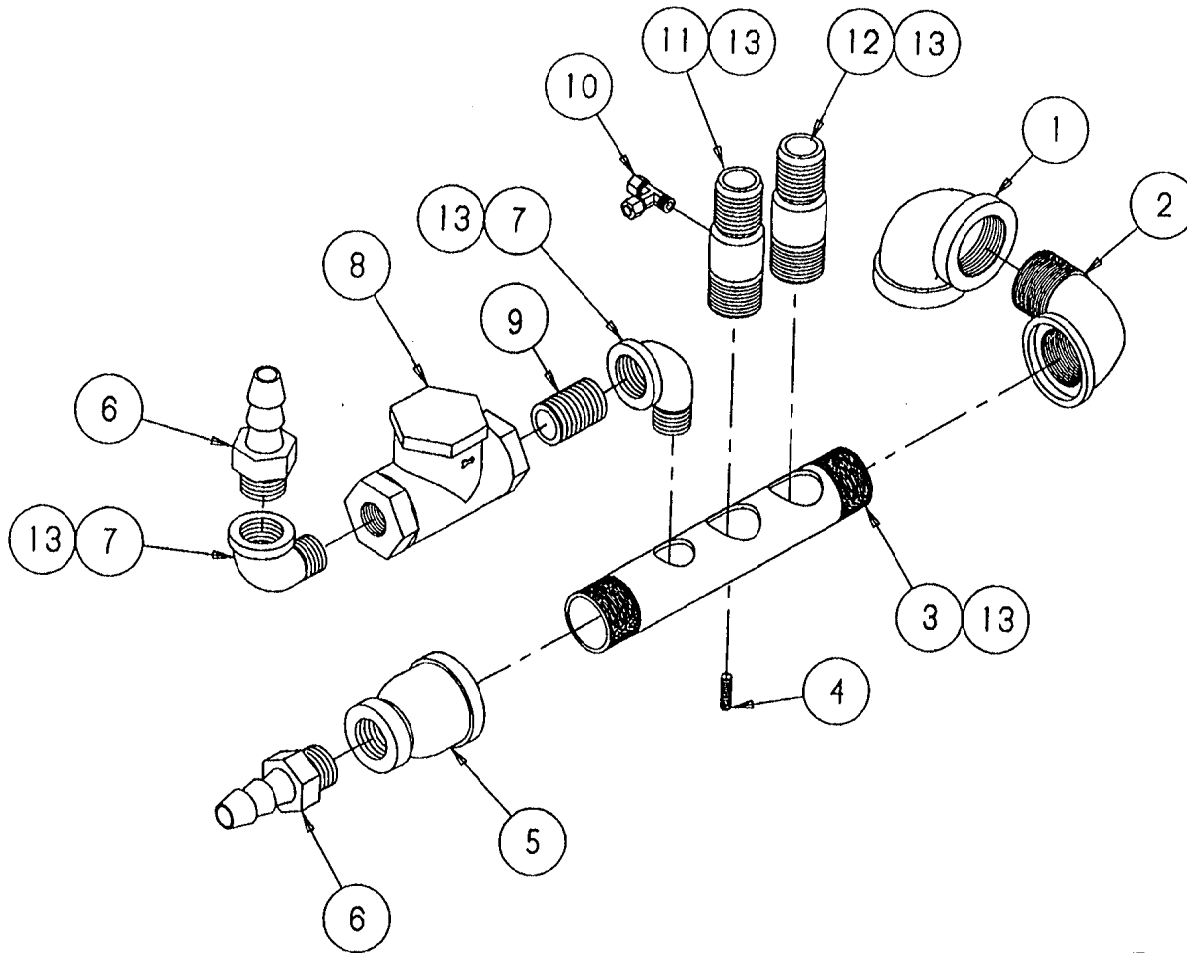
LET.	REVISIONS	DATE	BY
A	REDRAWN - P/N 06210 WAS 06208, P/N 06211 WAS 06207, E.O. C-1994	08-15-91	PJD
B	P/N 20208 WAS 20249 ADDED P/N 14490 & P/N 00934 E.O. 4C-2075	11-12-91	PJD
C	ROTATED THREAD POSITION ON P/N'S 05283 & 03277, MOVED P/N 14342. E.O. 4C-2350	1-12-93	NLT
D	P/N 06240 WAS 06241, P/N 22244 WAS 22221, P/N 105786 WAS 06214, P/N 14342 WAS 14324, P/N 05280 WAS 20206, P/N 105787 ADDED AND P/N'S 02586, 05283 & 03277 OMITTED PER E.O. 4C-2448	08-21-93	PJD

NO.	QTY.	PART NO.	DESCRIPTION
11	1	00934	SEALANT, RECTORSAL
10	1	14490	HIPPLE, 3/4 X CLOSE, 8/3
9	1	05280	ELBOW, 1/2 NPT X 90°, BRASS
8	1	14355	HIPPLE, 3/4 NPT X 5' LG., BRASS
7	1	21304	UNION, 3/4 NPT, BRASS
6	1	05282	ELBOW, 3/4 X 45°, BRASS
5	2	14342	HIPPLE, 3/4 X CLOSE, BRASS
4	1	105788	FITTING, HOSE BARB, 1/4 H X 1/4 NPT, 90°
3	1	105787	FITTING, HOSE BARB, 1/4 H X 1/8 NPT, 90°
2	1	22244	VALVE, SOLENOID, 1/2", 15 PSI
1	1	06240	FITTING, HOSE BARB, 3/4 H X 3/4 NPT

THIS DESIGN DESCRIBES A PROPRIETARY ITEM AND IS THE PROPERTY OF CLEVELAND RANGE. THIS DRAWING IS NOT TO BE COPIED OR USED WITHOUT THE APPROVAL OF CLEVELAND RANGE.

TOLERANCES <small>UNLESS NOTED</small>		CLEVELAND RANGE INC. 1330 East 179th St., Cleveland, Ohio 44110-2574	
DECIMAL ± N/A	SCALE 1/2	DRAWN BY J.J.	APPROVED BY
ANGULAR ± N/A	TITLE PIPING ASSEMBLY, DRAIN 21CSM, 36CSM, 42CKSM, PSM		
OK	DATE 11-21-84	DRAWING NO. C-42813	REV. D

LET	REVISIONS	DATE	BY
-	PRODUCTION RELEASE E.O. #C-2008	09-10-91	PJD
A	P/N 05259 WAS QTY. OF 2 E.O. #C-2048	10-11-91	PJD
B	P/N 105541 WAS P/N 20249 E.O. #C-2134 RI	03-11-92	PJD
C	P/N 05259 WAS QTY. OF 3, P/N 105541 OMITTED, P/N 08240 WAS QTY. OF 3 PER E.O. #C-2448	07-21-93	PJD



ASSEMBLED UNIT

13	A/A	00934	SEALANT, RECTORSEAL
12	1	14481	FITTING, BARB 1" HOSE X 1" MPT S/S
11	1	585191	FITTING, HOSE - DRAIN MANIFOLD WITH 1/8" HOLE
10	1	101394	TEE, MALE RUN 1/4" T X 1/4" T X 1/8"
9	1	14343	HIPPLE, CLOSE, 3/4", BLACK
8	1	22119	VALVE, SWING CHECK, 3/4"
7	2	05259	ELBOW, STREET, 90°, 3/4", BLACK
6	2	08240	FITTING, HOSE BARB 3/4" HOSE X 3/4" MPT
5	1	03818	COUPLING, RED, 1-1/2 - 3/4" BLACK
4	1	19917	STUD, WELD, 1/4-20 X .875 S/S
3	1	13252	MANIFOLD, DRAIN 1-1/2 NPT BLACK
2	1	05292	ELBOW, STREET 1-1/2 NPT X 90° BLACK
1	1	05238	ELBOW, 1-1/2 NPT X 90° BLACK
NO.	QTY.	PART NO.	DESCRIPTION

TOLERANCES (UNLESS AS NOTED)			
DECIMAL	SCALE	DRAWN BY	APPROVED BY
± N/A	1/2"	P.J.D.	D.S.
ANGULAR	TITLE	DATE	
± N/A	DRAIN, MANIFOLD ASSEMBLY 42CKGM/SM 42CKGM/LG. M, 42CKSM	09-10-91	
CK	DRAWING NO.	REV.	C
	C-104873		

THIS DESIGN DESCRIBES A PROPRIETARY ITEM AND IS THE PROPERTY OF CLEVELAND RANGE. THIS DRAWING IS NOT TO BE COPIED OR USED WITHOUT THE APPROVAL OF CLEVELAND RANGE.

CLEVELAND RANGE INC.

1333 East 179th St. Cleveland, Ohio 44110-2574

