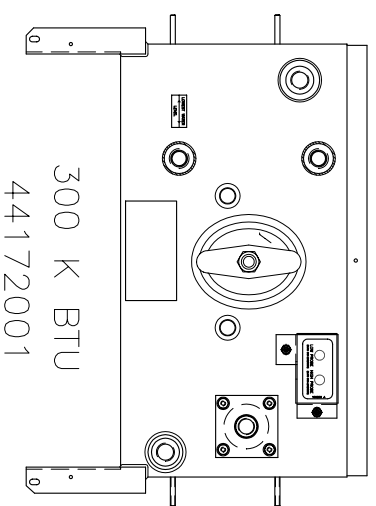
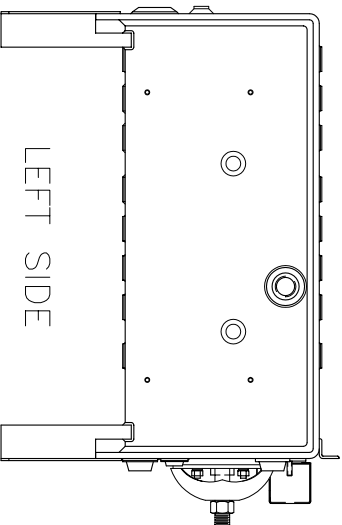
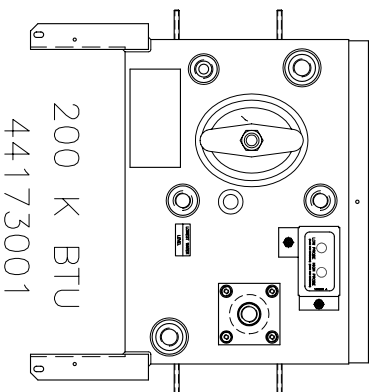
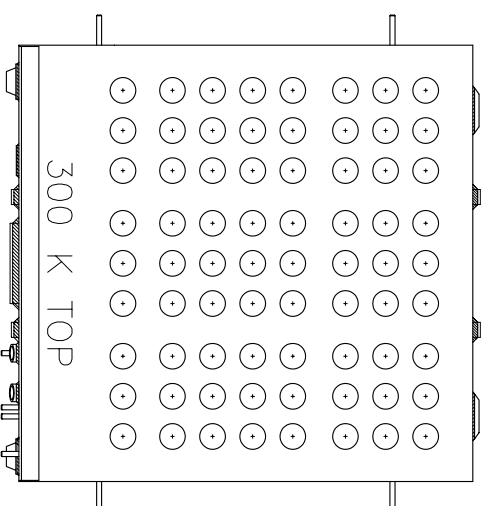
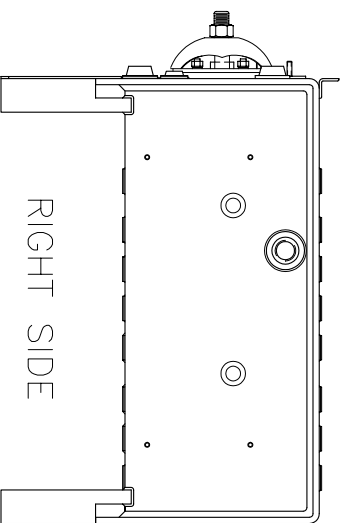
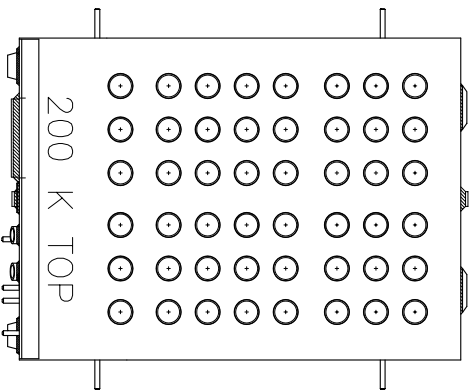


CLEVELAND RANGE BOILER INSPECTION SHEET

CIRCLE MODEL AND MARK WITH AN X AREA OF BOILER LEAK
RETURN COPY BY FAX AND WITH NB TAG WITH INVOICE



YRS / MTHS

BOILER NATIONAL BOARD #

YEARS/MONTHS BOILER USED

PRODUCT MODEL #

PRODUCT SERIAL #

WATER TREATMENT MANUF. _____ NUMBER OF DESCALES _____ PRODUCT USED CLEVE-DISSOLVE / OTHER

FREQUENCY OF DE-SCALES _____ CONFIRMATION OF RECORDS, YES/NO, TECH INITIAL _____

ATTACH DE-SCALE MAINTENANCE RECORDS WITH THIS SHEET

DATE _____ CLEVELAND AUTHORIZATION CODE _____