

30RA032-040 AQUA SNAP

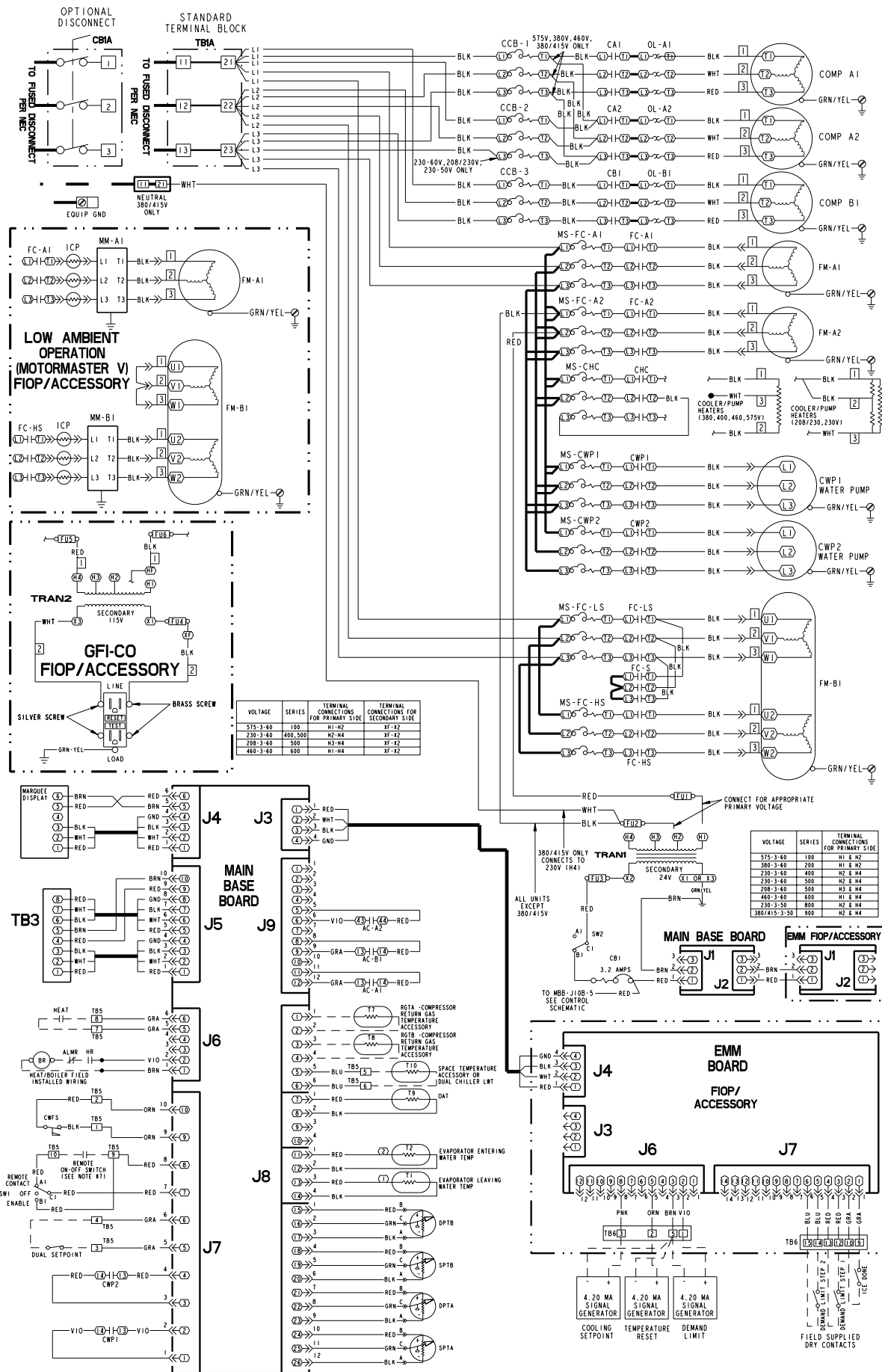


Fig. 5 — Wiring Schematic 30RA032-040

30RA042-055 AQUA SNAP

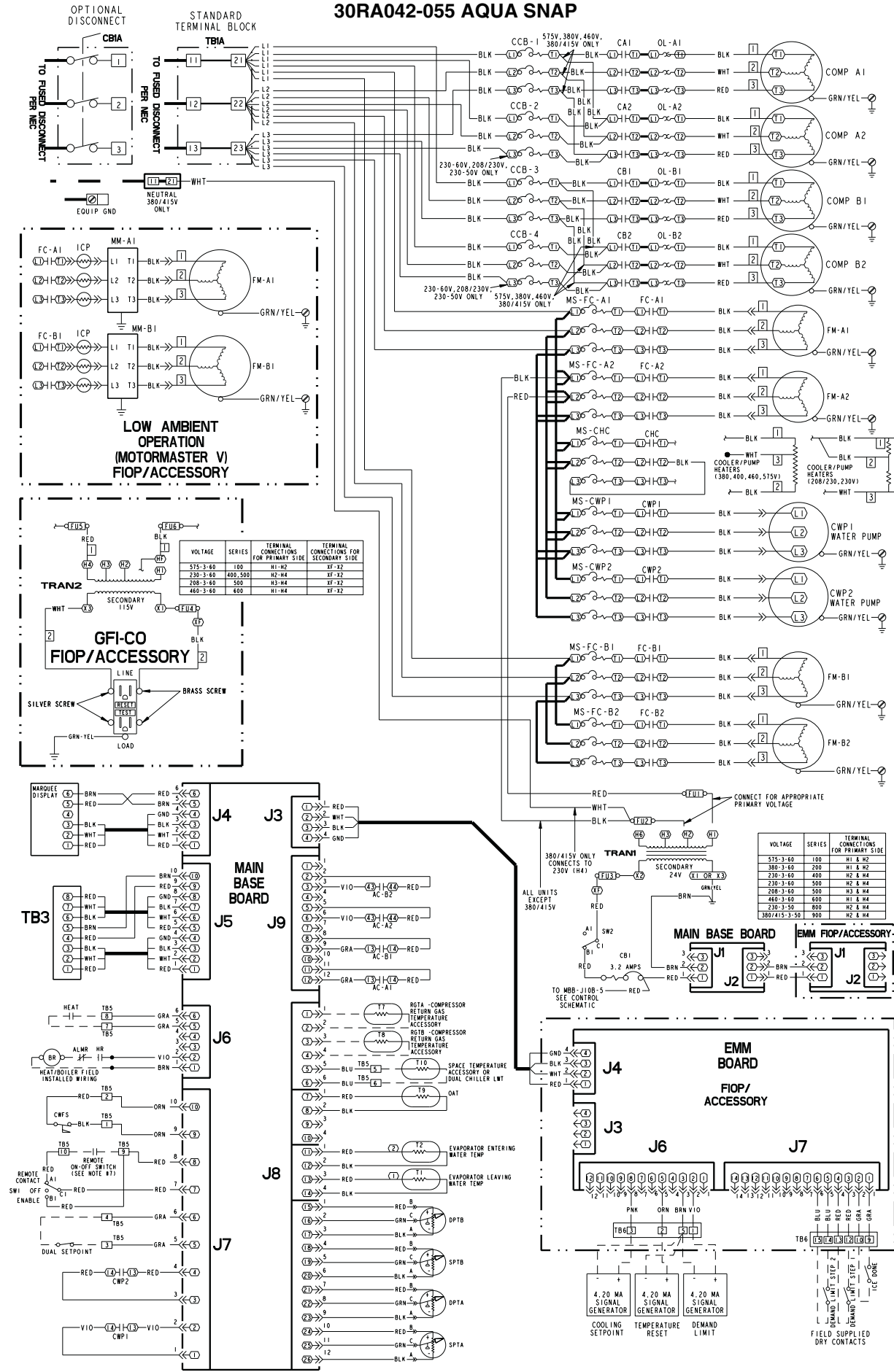


Fig. 6 — Wiring Schematic 30RA042-055

AQUA-SNAP LOW VOLTAGE CONTROL SCHEMATIC (042-055)

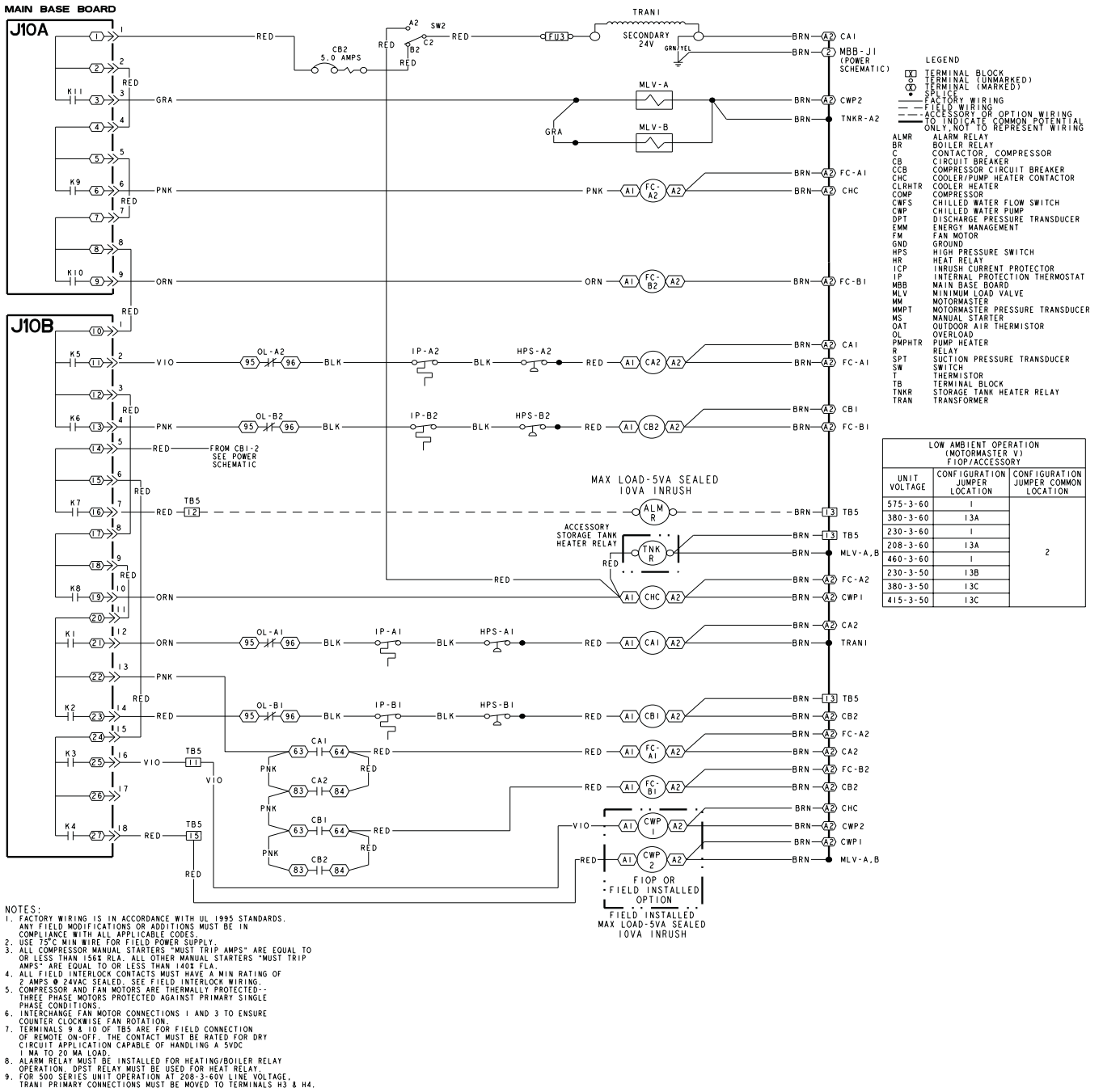


Fig. 6 — Wiring Schematic 30RA042-055 (cont)

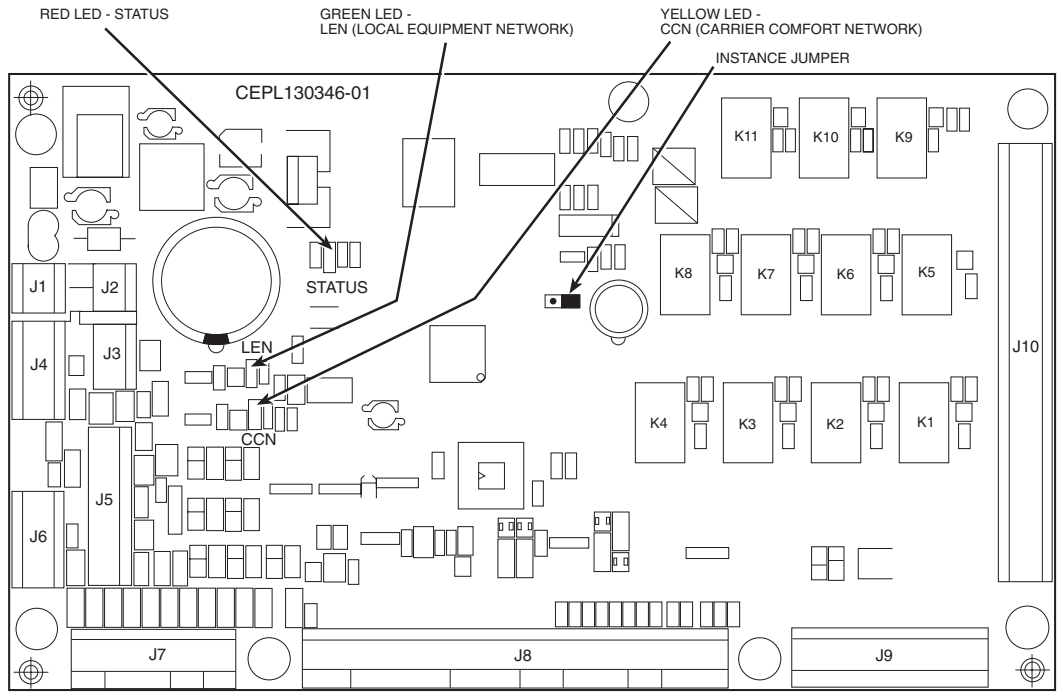


Fig. 7 — Main Base Board

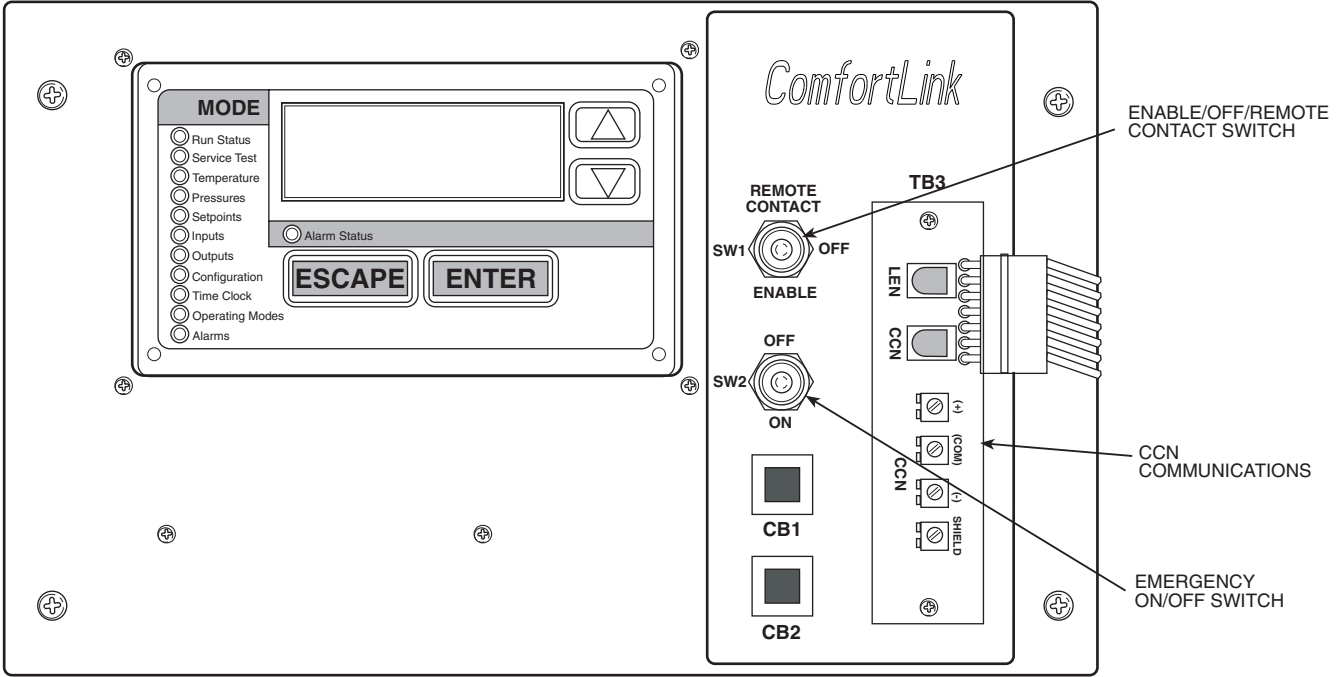


Fig. 8 — LEN/CCN Interface, Enable/Off/Remote Contact Switch, and Emergency On/Off Switch Locations