

Statement of Responsibilities

This document is for use by experienced and trained Qualified Cleveland Range, LLC Authorized Service Representatives who are familiar with both the safety procedures, and equipment they service.

Cleveland Range, LLC assumes no liability for any death, injury, equipment damage, or property damage resulting from use of, improper use of, or failure to use the information contained in this document.

Cleveland Range, LLC has made every effort to provide accurate information in this document, but cannot guarantee that this document does not contain unintentional errors and omissions.

The information in this document may be subject to technical and technological changes, revisions, or updates.

Cleveland Range, LLC assumes no liability or responsibility regarding errata, changes, revisions, or updates.

Qualified Cleveland Range, LLC Authorized Service Representatives are obligated to follow industry standard safety procedures, including, but not limited to, OSHA regulations, and disconnect / lock out / tag out procedures for all utilities including steam, and disconnect / lock out / tag out procedures for gas, electric, and steam powered equipment and / or appliances

All utilities (gas, electric, water and steam) should be turned OFF to the equipment and locked out of operation according to OSHA approved practices during any servicing of Cleveland Range equipment

Qualified Cleveland Range, LLC Authorized Service Representatives are obligated to maintain up-to-date knowledge, skills, materials and equipment.

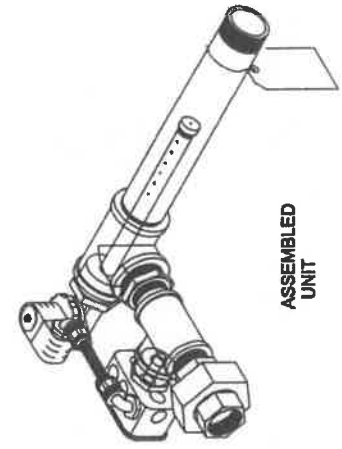
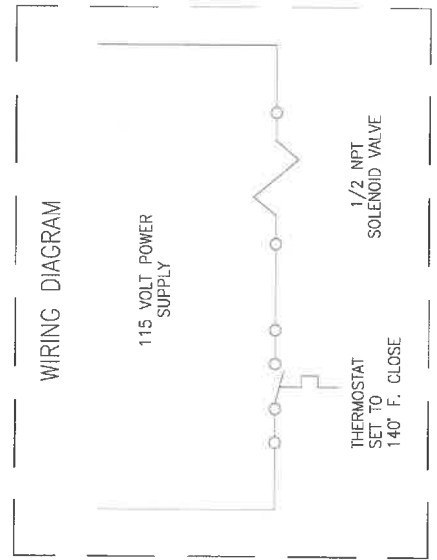
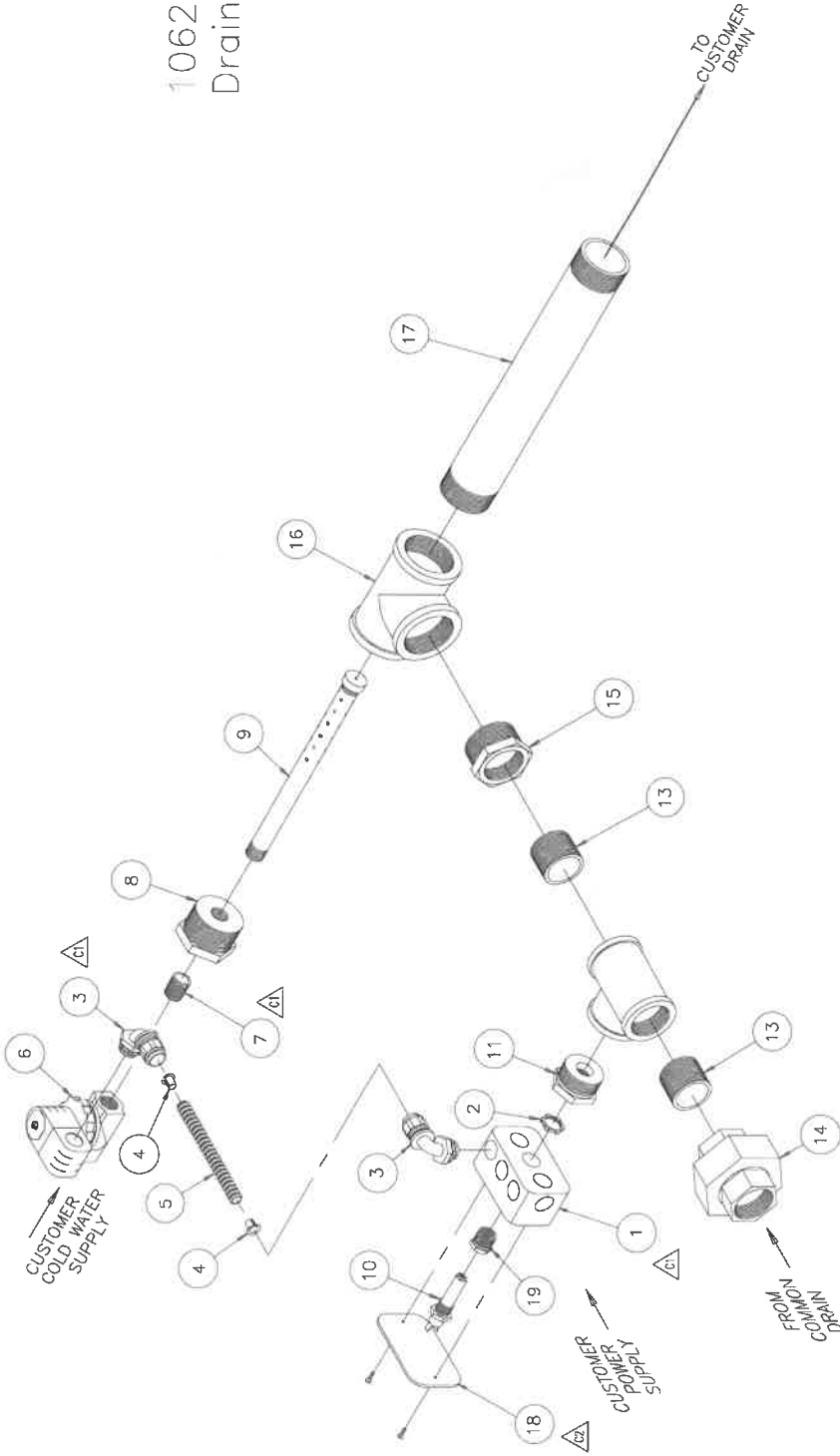
AFTER DRAIN COOLER KIT
FIELD APPLICATION

- 1) AFTER DRAIN COOLER KIT is to be installed as close as possible to the equipment common drain termination (ref. dwg. P/N 1062901)
- 2) Use 1 ½ NPT piping and fittings as required to connect the AFTER DRAIN COOLER KIT to common drain.
- 3) Connect a ½” cold water supply to the “AFTER DRAIN COOLER KIT” solenoid valve. A separate water supply of cold cooling water. Install a ½” shut-off valve in this supply line for use when and if service to the kit is required.
- 4) Open the 2 x 4 electrical handy box. Install a separate 115 volt power supply to box per code, as shown in ref. drawing P/N 1062901.
- 5) Should the drain piping from the AFTER DRAIN COOLER KIT need to be extended to a floor drain use 2” NPT or larger piping and fittings.

NOTE: Do not hard plumb directly into a floor drain.

Allow a minimum of 2” air gap at end of drain piping. Keep the number of fittings and length of piping to minimum.

106290 Drain Cooling Kit



ITEM	QTY	PART NO.	DESCRIPTION
20	1	106292	COUPLING, REDUCER, BELL, 2" X 1 1/2"
19	1	02558	BUSHING, REDUCER 1/2" X 3/8"
18	1	02568	COVER, HAND BOX
17	1	106293	NIPPLE, 2" X 15" LG., BLACK
16	1	106294	TEE, 2", BLACK
15	1	106295	BUSHING, REDUCER, 2" X 1 1/2", BLACK
14	1	21308	UNION, 1-1/2", BLACK
13	2	14392	NIPPLE, CLOSE, 1-1/2", BLACK
12	1	20221	TEE, 1-1/2", BLACK
11	1	106296	BUSHING, REDUCER, 1-1/2" X 1/2", BLACK
10	1	106288	SWITCH, THERMOSTAT, 140°
9	1	106291	TUBE, SPRAY, AFTER DRAIN COOLER
8	1	106287	BUSHING, REDUCER, 2" X 1/2", BLACK
7	1	14323	NIPPLE, CLOSE, 1/2", BLACK
6	1	22115	VALVE, SOLENOID, 1/2"
5	1	106240600	CONDUIT, GREENFIELD, 1/2" X 6" LG.
4	2	106560	BUSHING, ANTI-SHORT, 1/2", SIZE 3
3	2	106247	CONNECTOR, GREENFIELD, 1/2", 90°
2	1	14614	NUT, LOCK, 1/2", ELECTRICAL
1	1	02361	HAND-BOX, ELECTRICAL

TOLERANCES (UNLESS OTHERWISE SPECIFIED)	
DECIMAL	± .005
ANGULAR	± 1°

CLEVELAND 3E INC. 1333 East 178th St. Cleveland, Ohio 44110-2574	
SCALE 1=4	DRAWN BY DUTCHMAN
APPROVED BY	
TITLE INSTRUCTION	
AFTER DRAIN COOLER ASSEMBLY	
DATE 01-18-93	DRAWING NO. C-1062901
REV D	

THIS DESIGN DESCRIBES A PROPRIETARY ITEM AND IS THE PROPERTY OF CLEVELAND RANGE. THIS DRAWING IS NOT TO BE COPIED OR USED WITHOUT THE APPROVAL OF CLEVELAND RANGE.