

THE ITEMS LISTED ABOVE IS A GENERAL LIST
AND DOES NOT INCLUDE ALL THE PARTS DRAWINGS
IN THIS PACKAGE.
EACH LEADER INCLUDES A GENERAL DESCRIPTION
AND THE CORRESPONDING DRAWING OR DRAWINGS
FOR THOSE COMPONENTS.

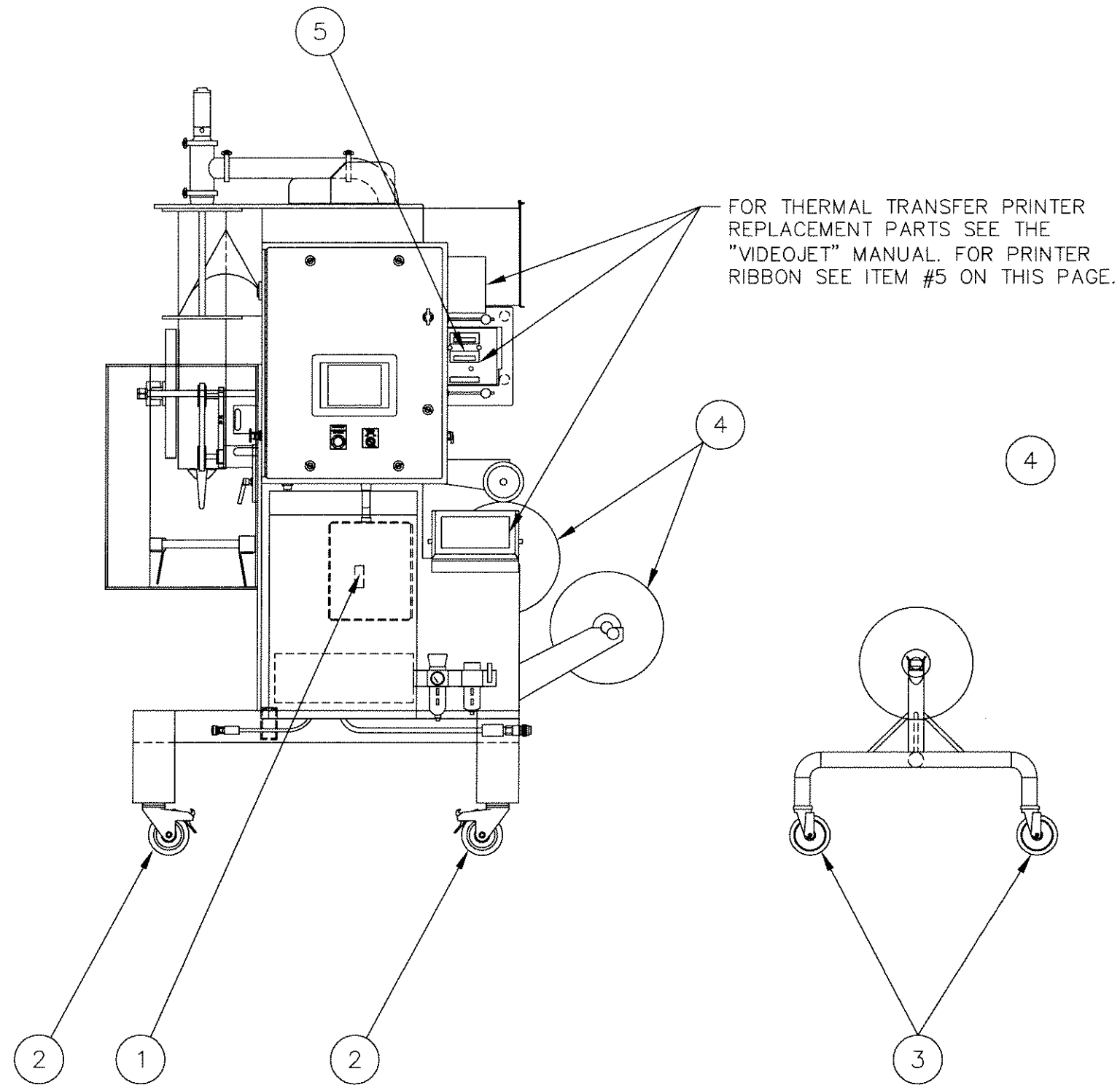
J.C.PARDO & SONS INC.
1250 REAMES RD. BALTO MD. 21220
PHONE (410) 391-3600 FAX (410) 391-9042

DRAWN BY: TJK
DATE: 06-16-06
SCALE: NONE

PROJECT: GENERAL IDENTIFICATION LIST
DWG. TITLE: AFF-950 REPLACEMENT PARTS
THIS DRAWING DESCRIBES A CONFIDENTIAL & PROPRIETARY ITEM AND/OR PROJECT AND IS THE PROPERTY OF J.C. PARDO & SONS. THIS DRAWING IS NOT TO BE COPIED OR USED WITHOUT THE PREVIOUS WRITTEN APPROVAL OF J.C. PARDO & SONS.

SIZE: C
DRAWING NUMBER: 11720-00
REV. SHEET
1 of 1

REV.	DESCRIPTION	BY	DATE
	REVISIONS		



5	MS800-0000013	PRINTER RIBBON
4	MSP00-0000008	FILM ROLL
3	HWD05-0000003	CASTERS, SWIVEL LOCKING
2	HWD00-0000007	CASTERS, SWIVEL LOCKING W/BRAKE
1	ELV00-0000027	CAPACITOR, FILM TAKE-UP MOTOR
ITEM	PART NO.	DESCRIPTION

REPLACEMENT PARTS LIST

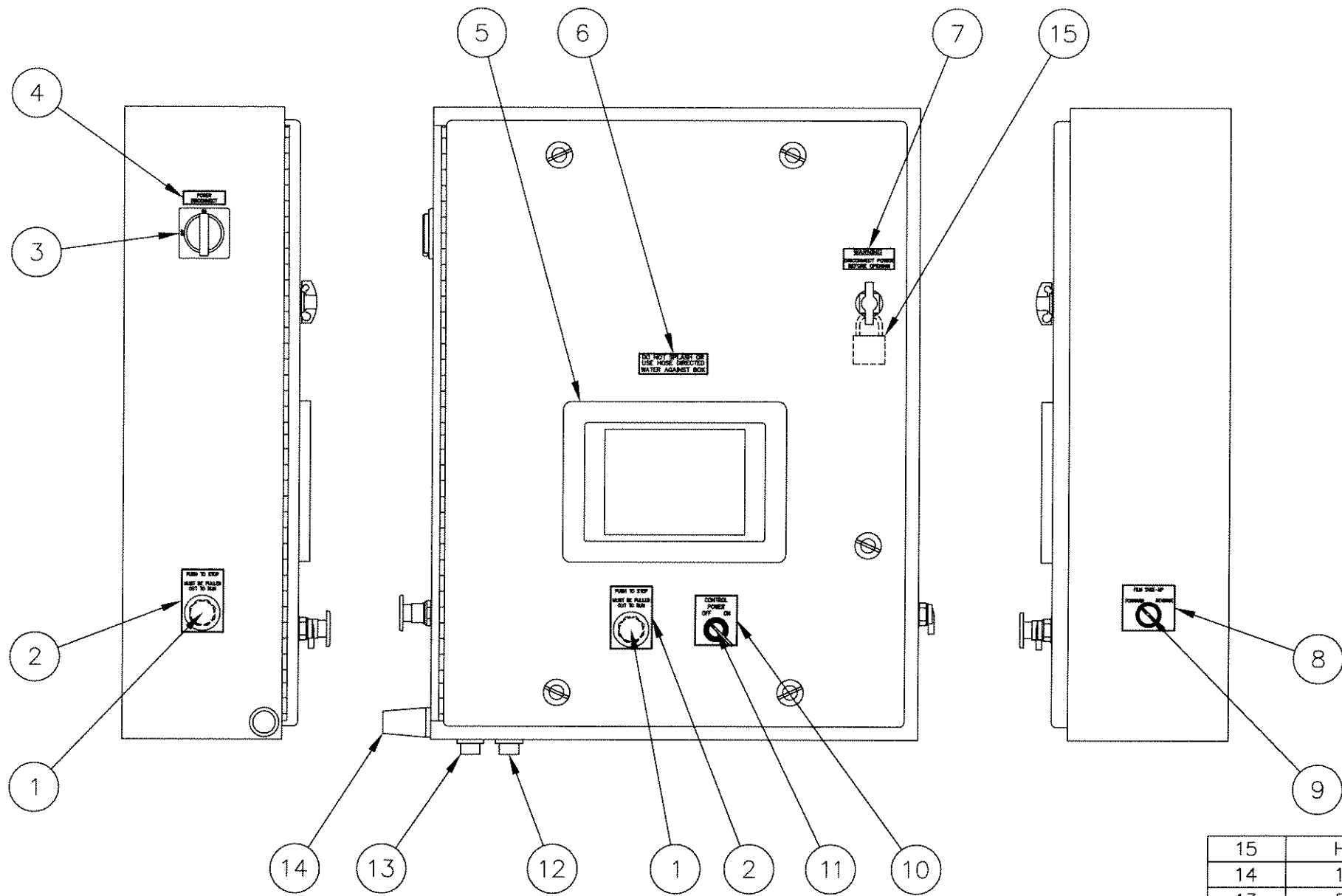
J.C.PARDO & SONS INC.
 1250 REAMES RD. BALTO MD. 21220
 PHONE (410) 391-3600 FAX (410) 391-9042

CHECKED BY: _____
 DRAWN BY: JES
 DATE: 11-18-05
 APPROVED BY: _____
 SCALE: NONE

CYCLE-MATIC
 AFF-950 REPLACEMENT PARTS
This drawing and all information contained therein is the property of J.C.Pardo & Sons Inc. Balto MD. The drawing and all information is confidential and must not be made public or copied. It is loaned subject to return upon demand and is not to be used directly or indirectly in any way detrimental to J.C.Pardo & Sons.

SIZE: C DRAWING NUMBER: 11720-01
 REV. SHEET 1 of 1

REV.	DESCRIPTION	BY	DATE
	REVISIONS		



15	HWLOCKS-00001	PAD LOCK & KEY (OPTIONAL)
14	1H800-0000015	BUMPER
13	EL800-0000015	4 PIN CONNECTOR
12	EL800-0000016	10 PIN CONNECTOR
11	2EP00-8800025	RED LIGHTED TURN SWITCH
-	ELV00-6000001	REPLACEMENT BULB FOR ITEM #11
10	NPYELLOW00110	NAMELPATE
9	2EP00-8800009	TWO POSITION TURN SWITCH
8	NPYELLOW00267	NAMELPATE
7	NPRED000000019	NAMELPATE
6	NPRED000000004	NAMELPATE
5	EL8CO-0000081	TOUCH SCREEN
4	NPRED000000036	NAMELPATE
3	ELPSW-0000056	3 POLE DISCONNECT SWITCH
2	NPRED000000021	NAMELPATE
1	2EP01-2500007	RED LIGHTED PUSH/PULL BUTTON
-	ELV00-0600001	REPLACEMENT BULB FOR ITEM #1
ITEM	PART NO.	DESCRIPTION

REPLACEMENT PARTS LIST

J.C.PARDO & SONS INC.
 1250 REAMES RD. BALTO MD. 21220
 PHONE (410) 391-3600 FAX (410) 391-9042

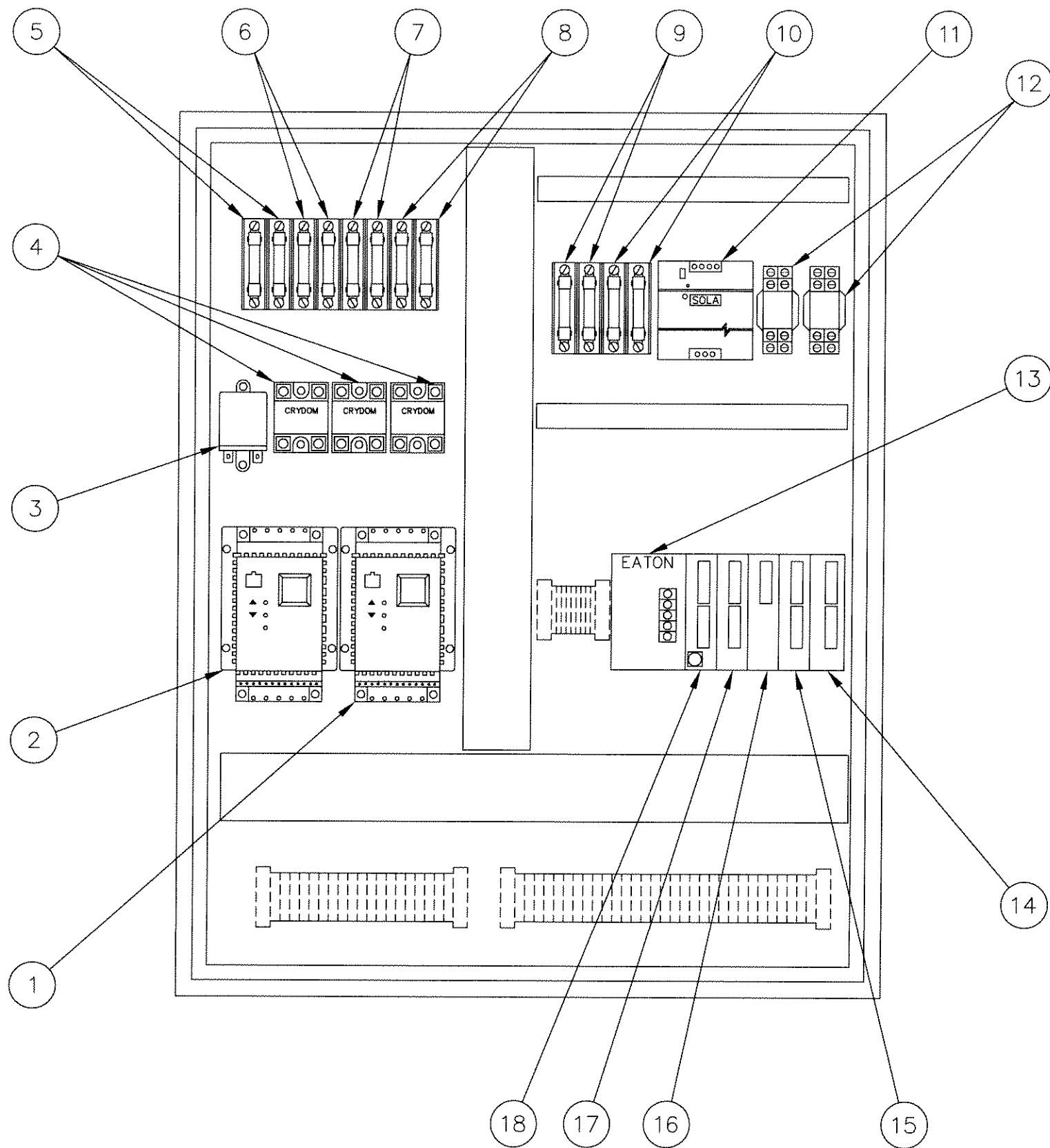
CHECKED BY:
 DRAWN BY: JES
 DATE: 11-18-05
 APPROVED BY:
 SCALE: NONE

CONTROL PANEL EXTERIOR
 AFF-950 REPLACEMENT PARTS

SIZE: C DRAWING NUMBER: 11720-20
 REV. SHEET
 1 of 1

REV.	DESCRIPTION	BY	DATE
	REVISIONS		

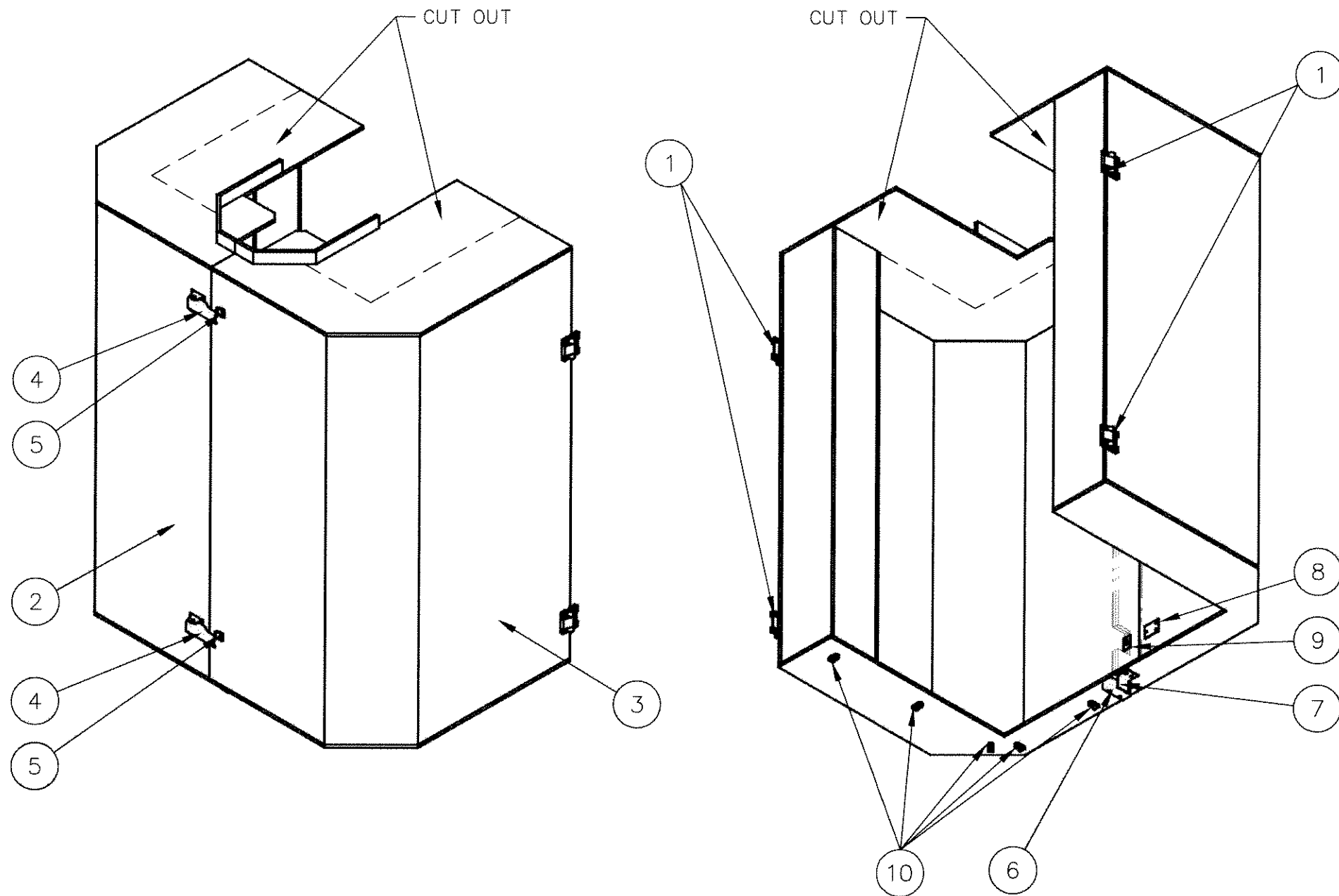
This drawing and all information contained therein is the property of J.C.Pardo & Sons Inc. Balto MD. The drawing and all information is confidential and must not be made public or copied. It is loaned subject to return upon demand and is not to be used directly or indirectly in any way detrimental to J.C.Pardo & Sons.



18	EL800-0000014	EXPANSION MODULE, THERMOCOUPLE IN
17	EL800-0000013	EXPANSION MODULE, ANALOG I/O
16	EL800-0000012	EXPANSION MODULE, 8 I/O
15	EL800-0000010	EXPANSION MODULE, 16 I/O
14	EL800-0000009	CONTROLLER CPU
13	EL800-0000008	CONTROLLER BASE MODULE
12	ELPSW-0000021	24V RELAY
-	ELPSW-0000003	BASE FOR ITEM #12
11	ELV00-2400007	24V POWER SUPPLY
10	ELV06-0000019	5 AMP FUSE
9	ELV06-0000009	2 AMP FUSE
8	ELV06-0000016	15 AMP FUSE
7	ELV06-0000029	1 AMP FUSE
6	ELV06-0000007	20 AMP FUSE
5	ELV06-0000010	10 AMP FUSE
4	EL8SW-0000015	SOLID STATE RELAY
3	EL8SW-0000014	RELAY
2	ELH00-5000001	1/2 HP INVERTER, 208V
1	ELH01-0000003	1 HP INVERTER, 208V
ITEM	PART NO.	DESCRIPTION

REPLACEMENT PARTS LIST

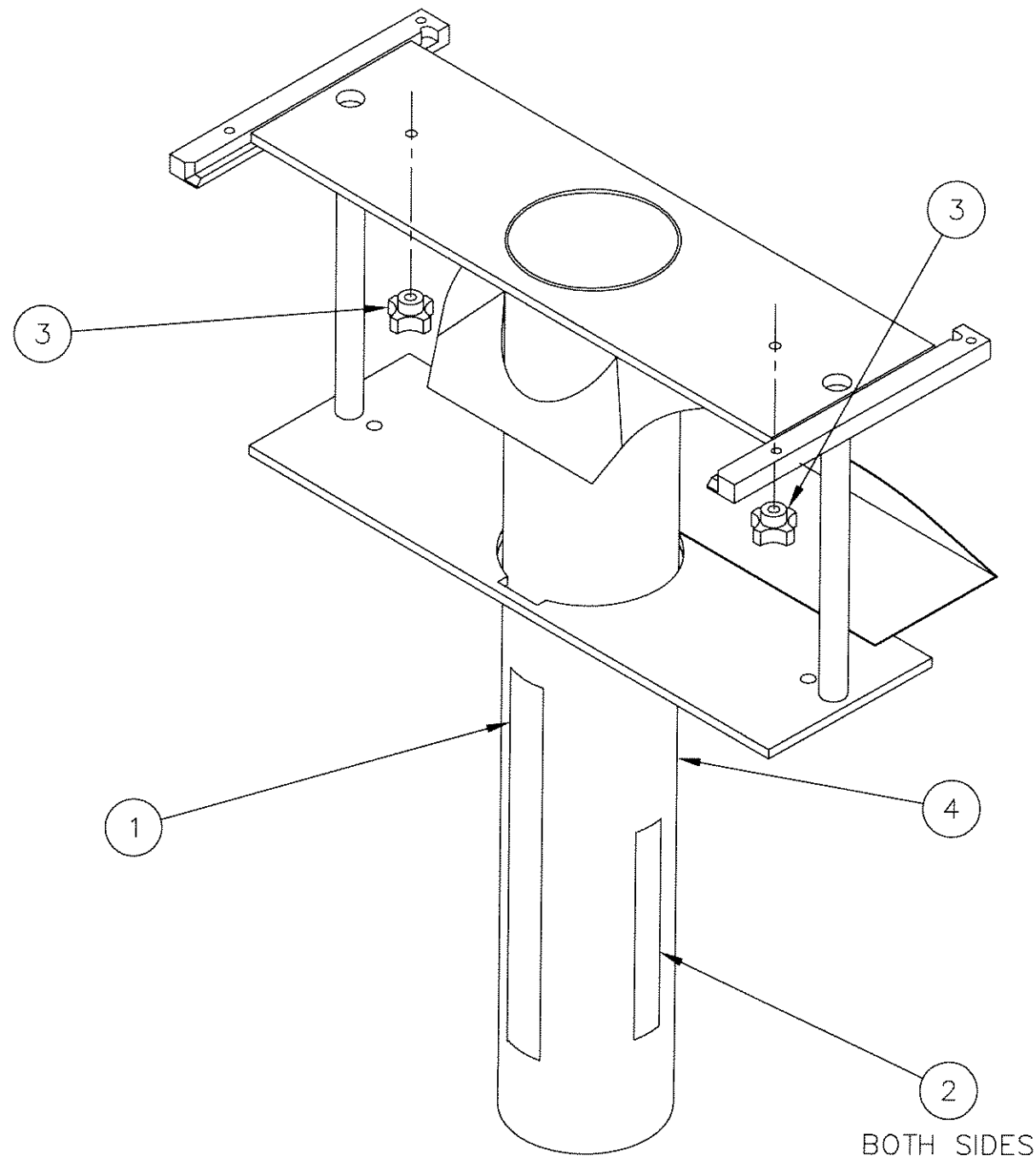
J.C.PARDO & SONS INC. 1250 REAMES RD. BALTO MD. 21220 PHONE (410) 391-3600 FAX (410) 391-9042				CHECKED BY: APPROVED BY:	DRAWN BY: JES DATE: 11-18-05 SCALE: NONE	CONTROL PANEL INTERIOR AFF-950 REPLACEMENT PARTS	SIZE: C DRAWING NUMBER: 11720-19
REV.	DESCRIPTION	BY	DATE	This drawing and all information contained therein is the property of J.C.Pardo & Sons Inc., Balto MD. The drawing and all information is confidential and must not be made public or copied. It is loaned subject to return upon demand and is not to be used directly or indirectly in any way detrimental to J.C.Pardo & Sons.			
REVISIONS				REV.	SHEET		
					1 of 1		



10	VF800-0000111	CLAMP, CABLE
9	VF800-0000110	PLATE, LATCH HOOK BACKSIDE
8	VF800-0000109	PLATE, LATCH BACKSIDE
7	VF800-0000108	BRACKET, PROXIMITY SWITCH
6	VF800-0000107	PROXIMITY SWITCH
5	VF800-0000106	STRIKE PLATE
4	VF800-0000105	LATCH
3	VF800-0000104	DOOR, RH
2	VF800-0000103	DOOR, LH
1	VF800-0000102	HINGE

ITEM	PART NO.	DESCRIPTION
REPLACEMENT PARTS LIST		

J.C.PARDO & SONS INC.				CHECKED BY:	DRAWN BY: JES	LEXAN SAFETY GUARDS	SIZE: C	DRAWING NUMBER: 11720-11
1250 REAMES RD. BALTO MD. 21220				DATE: 11-18-05	AFF-950 REPLACEMENT PARTS			REV.
PHONE (410) 391-3600 FAX (410) 391-9042				APPROVED BY:	SCALE: NONE	This drawing and all information contained therein is the property of J.C.Pardo & Sons Inc. Balto MD. The drawing and all information is confidential and must not be made public or copied. It is loaned subject to return upon demand and is not to be used directly or indirectly in any way detrimental to J.C.Pardo & Sons.		
REV.	DESCRIPTION	BY	DATE					SHEET
REVISIONS								1 of 1



4	VF800-00000141	FORMER
3	VF800-0000139	KNOB
2	MS800-0000024	HOOKEED VELCRO, ADHESIVE BACKED
1	MS800-0000025	LOOPED VELCRO, ADHESIVE BACKED
ITEM	PART NO.	DESCRIPTION

REPLACEMENT PARTS LIST

REV.	DESCRIPTION	BY	DATE
	REVISIONS		

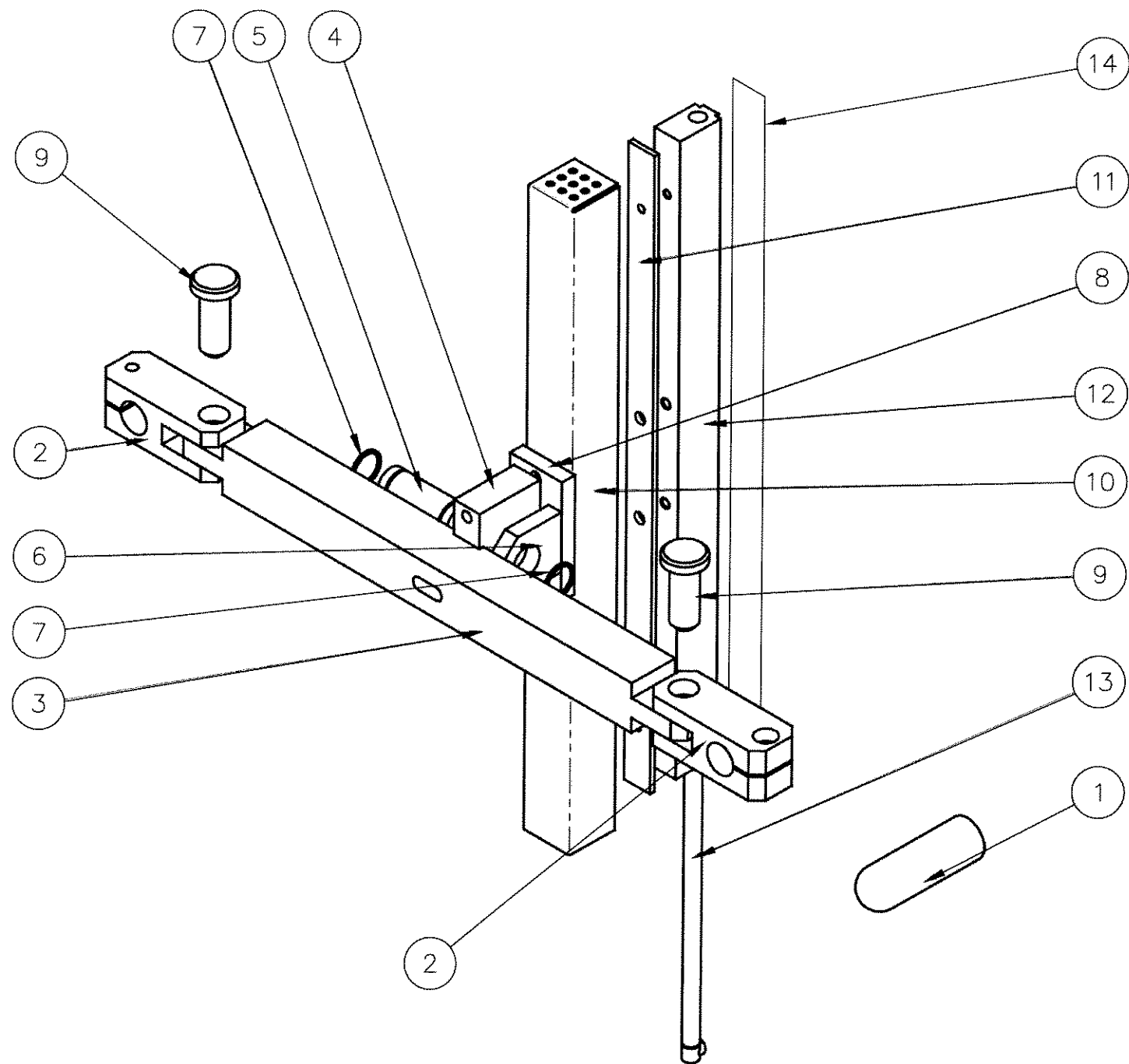
J.C.PARDO & SONS INC.
 1250 REAMES RD. BALTO MD. 21220
 PHONE (410) 391-3600 FAX (410) 391-9042

CHECKED BY:
 DRAWN BY: JES
 DATE: 11-18-05
 APPROVED BY:
 SCALE: NONE

FORMER ASSEMBLY
 AFF-950 REPLACEMENT PARTS

SIZE: C
 DRAWING NUMBER: 11720-16
 REV. SHEET
 1 of 1

This drawing and all information contained therein is the property of J.C.Pardo & Sons Inc. Balto MD. The drawing and all information is confidential and must not be made public or copied. It is loaned subject to return upon demand and is not to be used directly or indirectly in any way detrimental to J.C.Pardo & Sons

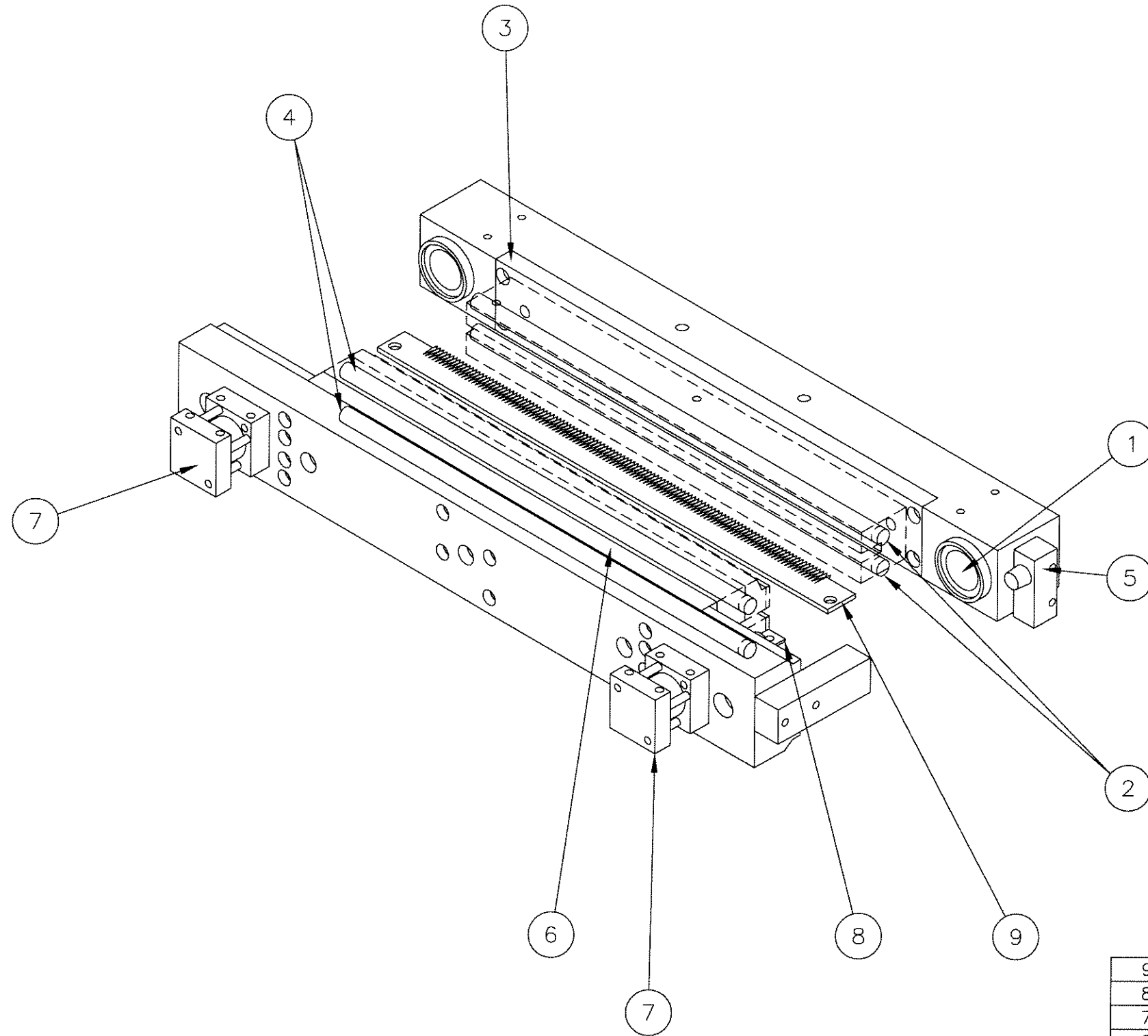


14	MS800-0000011	TEFLON NON-STICK TAPE
13	VF800-0000020	3/8" ELEMENT
12	VF800-0000019	BAR, VERTICAL SEAL
11	VF800-0000018	INSULATION, VERTICAL SEAL
10	VF800-0000017	COVER, VERTICAL SEAL
9	VF800-0000016	PIN, CONNECTING
8	VF800-0000015	PLATE, CLEVIS
7	VF800-0000014	RING, EXTERNAL RETAINING
6	VF800-0000013	BRACKET, CLEVIS
5	VF800-0000012	PIN, PIVOT
4	VF800-0000011	SUPPORT BLOCK, VERTICAL SEAL
3	VF800-0000010	HOLDER, FRONT SEAL
2	VF800-0000009	BRACKET, SIDE
1	VF800-0000008	STOPPER, BACKSEAL
ITEM	PART NO.	DESCRIPTION

REPLACEMENT PARTS LIST

J.C.PARDO & SONS INC. 1250 REAMES RD. BALTO MD. 21220 PHONE (410) 391-3600 FAX (410) 391-9042				CHECKED BY: APPROVED BY:	DRAWN BY: JES DATE: 11-18-05 SCALE: NONE	VERTICAL SEAL ASSEMBLY AFF-950 REPLACEMENT PARTS	SIZE: C REV.	DRAWING NUMBER: 11720-3 SHEET: 1 of 1
REV.	DESCRIPTION	BY	DATE	REVISIONS				

This drawing and all information contained therein is the property of J.C.Pardo & Sons Inc. Balto MD. The drawing and all information is confidential and must not be made public or copied. It is loaned subject to return upon demand and is not to be used directly or indirectly in any way detrimental to J.C.Pardo & Sons.



9	VF800-000037	KNIFE, FRONT JAW
8	VF800-000036	ROD EXTENSION
7	VF800-000035	AIR CYLINDER FLAT
6	1FA00-0000002	INSULATOR, FRONT JAW
5	VF800-0000038	PROXIMITY SWITCH
4	ELV00-0000026	1/4" ELEMENT
3	VF800-0000031	BACK INSULATION
2	VF800-0000039	3/8" ELEMENT
1	VF800-0000029	BEARING LINER
ITEM	PART NO.	DESCRIPTION

REPLACEMENT PARTS LIST

J.C.PARDO & SONS INC.
 1250 REAMES RD. BALTO MD. 21220
 PHONE (410) 391-3600 FAX (410) 391-9042

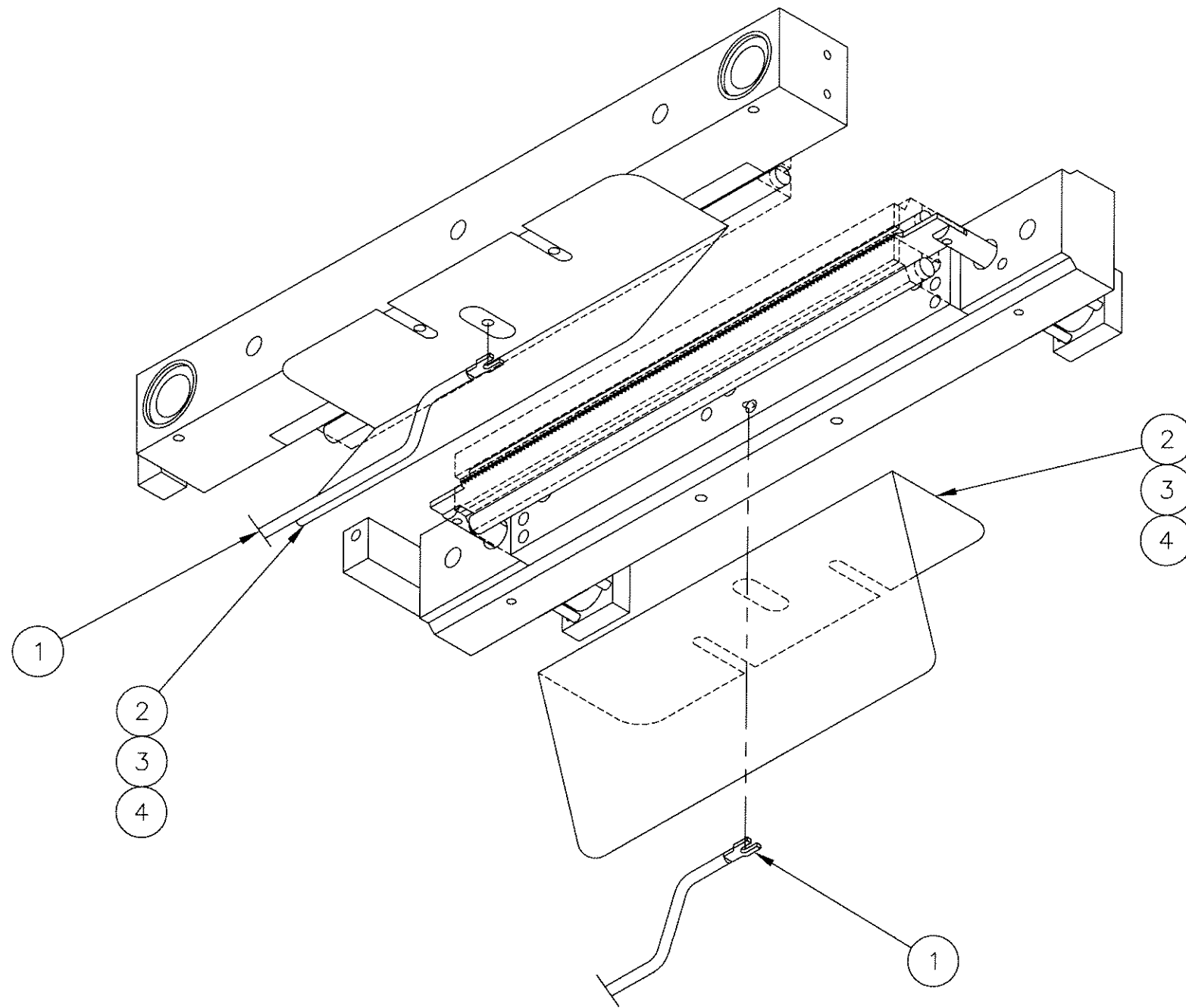
CHECKED BY:
 DRAWN BY: JES
 DATE: 11-18-05
 APPROVED BY:
 SCALE: NONE

HORIZONTAL JAW ASSEMBLY
 AFF-950 REPLACEMENT PARTS

SIZE: C DRAWING NUMBER: 11720-5
 REV. SHEET
 1 of 1

REV.	DESCRIPTION	BY	DATE
	REVISIONS		

This drawing and all information contained therein is the property of J.C.Pardo & Sons Inc., Balto MD. The drawing and all information is confidential and must not be made public or copied. It is loaned subject to return upon demand and is not to be used directly or indirectly in any way detrimental to J.C.Pardo & Sons.



4	VF800-0000043	BAG DEFLATOR, FRONT & REAR SET, LONG
3	VF800-0000042	BAG DEFLATOR, FRONT & REAR SET, MEDIUM
2	VF800-0000041	BAG DEFLATOR, FRONT & REAR SET, SHORT
1	VF800-0000040	THERMOCOUPLE, FRONT & REAR
ITEM	PART NO.	DESCRIPTION

REPLACEMENT PARTS LIST

REV.	DESCRIPTION	BY	DATE
	REVISIONS		

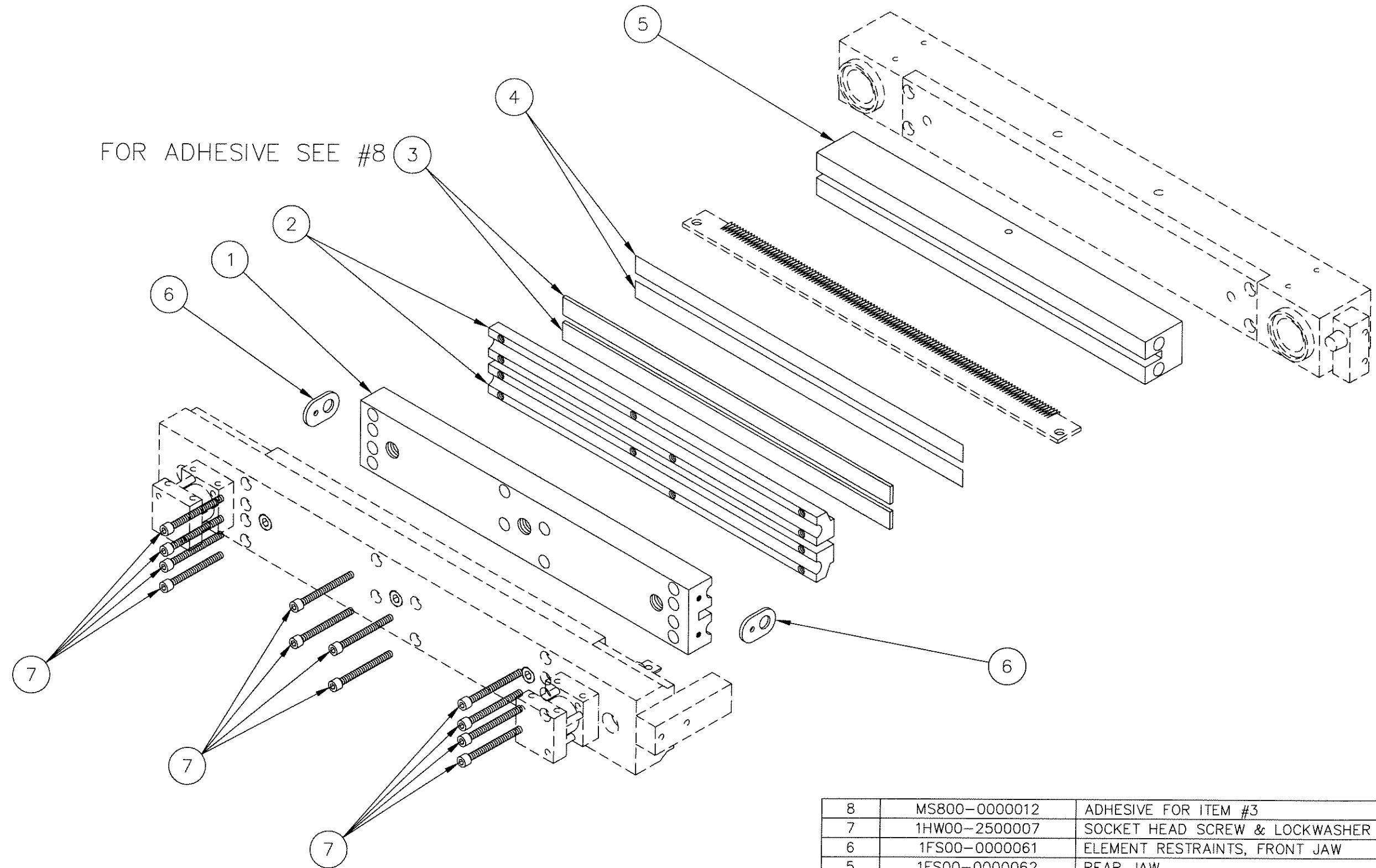
J.C.PARDO & SONS INC.
 1250 REAMES RD.  BALTO MD. 21220
 PHONE (410) 391-3600 FAX (410) 391-9042

CHECKED BY:	DRAWN BY: JES
APPROVED BY:	DATE: 11-18-05
	SCALE: NONE

HORIZONTAL JAW ASSEMBLY
 AFF-950 REPLACEMENT PARTS

This drawing and all information contained therein is the property of J.C.Pardo & Sons inc. Balto MD. The drawing and all information is confidential and must not be made public or copied. It is loaned subject to return upon demand and is not to be used directly or indirectly in any way detrimental to J.C.Pardo & Sons.

SIZE: C	DRAWING NUMBER: 11720-6
REV.	SHEET
	1 of 1



8	MS800-0000012	ADHESIVE FOR ITEM #3
7	1HW00-2500007	SOCKET HEAD SCREW & LOCKWASHER
6	1FS00-0000061	ELEMENT RESTRAINTS, FRONT JAW
5	1FS00-0000062	REAR JAW
4	MS800-0000014	TEFLON NON-STICK TAPE
3	SED00-0000006	CUSHION, FRONT JAW
2	1FL00-0000001	FRONT JAW
1	1FS00-0000063	BASE, FRONT JAW
ITEM	PART NO.	DESCRIPTION

REPLACEMENT PARTS LIST

J.C.PARDO & SONS INC.
 1250 REAMES RD. BALTO MD. 21220
 PHONE (410) 391-3600 FAX (410) 391-9042

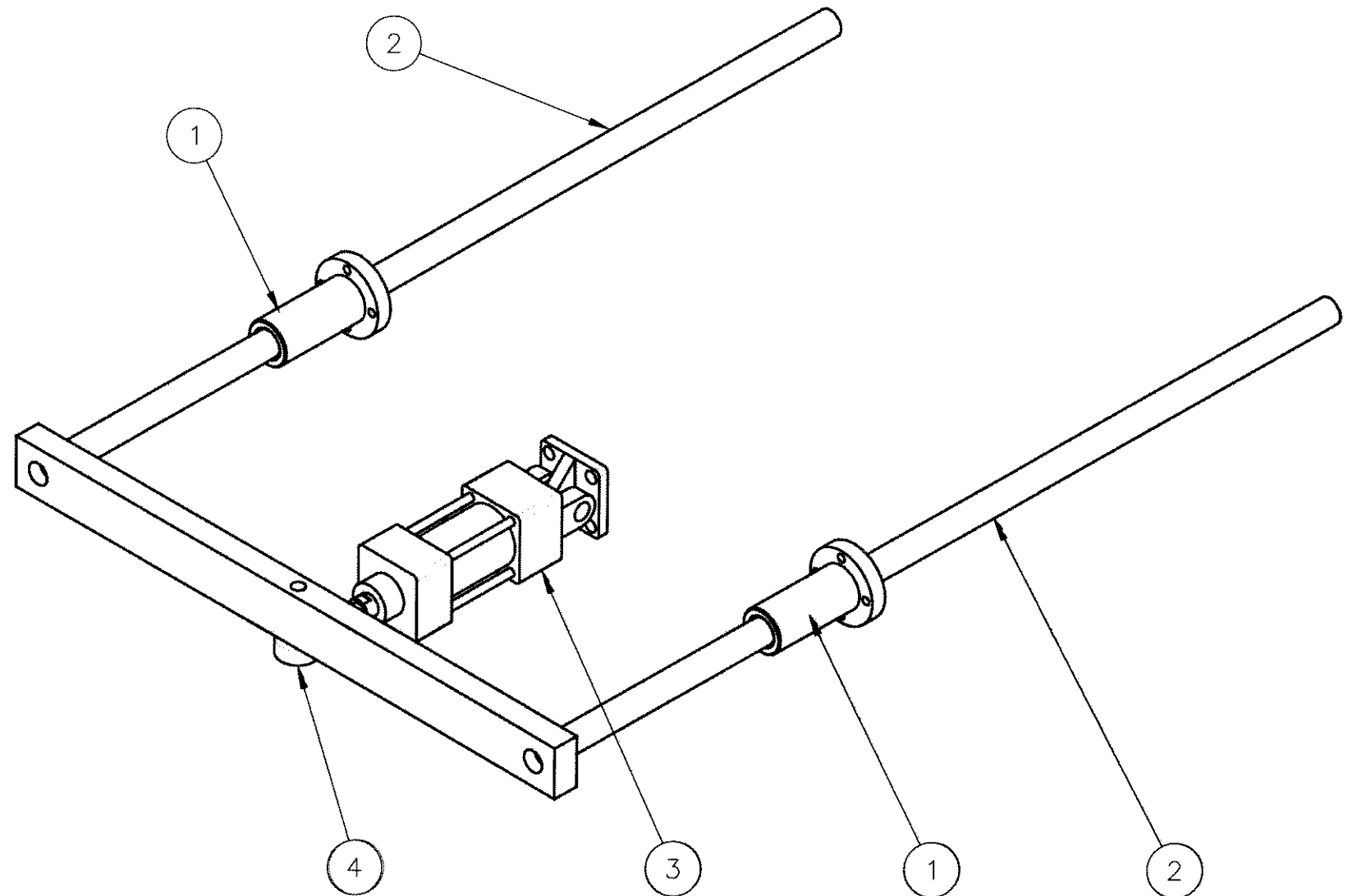
CHECKED BY:
 DRAWN BY: JES
 DATE: 11-18-05
 APPROVED BY:
 SCALE: NONE

HORIZONTAL HEATER JAWS
 AFF-950 REPLACEMENT PARTS

SIZE: C DRAWING NUMBER: 11720-22
 REV. SHEET: 1 of 1

REV.	DESCRIPTION	BY	DATE
	REVISIONS		

This drawing and all information contained therein is the property of J.C.Pardo & Sons Inc. Balto MD. The drawing and all information is confidential and must not be made public or copied. It is loaned subject to return upon demand and is not to be used directly or indirectly in any way detrimental to J.C.Pardo & Sons.



4	VF800-0000004	BEARING, RODEND
3	VF800-0000003	AIR CYLINDER
2	VF800-0000006	SHAFT
1	VF800-0000001	BEARING
ITEM	PART NO.	DESCRIPTION
REPLACEMENT PARTS LIST		

REV.	DESCRIPTION	BY	DATE
	REVISIONS		

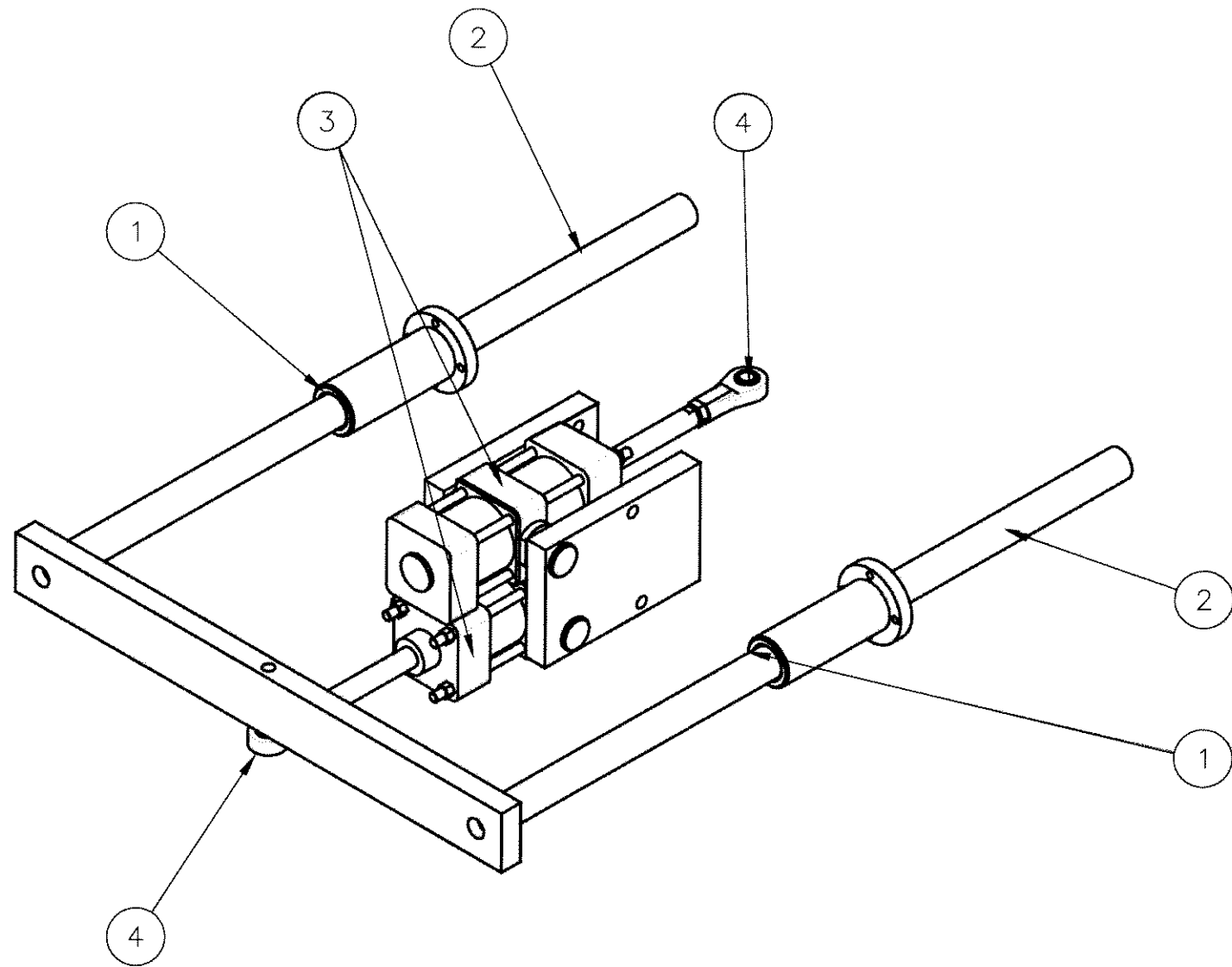
J.C.PARDO & SONS INC.
 1250 REAMES RD. BALTO MD. 21220
 PHONE (410) 391-3600 FAX (410) 391-9042

CHECKED BY: _____
 DRAWN BY: JES
 DATE: 11-18-05
 APPROVED BY: _____
 SCALE: NONE

VERTICAL SEAL REAR ASSEMBLY
 AFF-950 REPLACEMENT PARTS

SIZE: C DRAWING NUMBER: 11720-2
 REV. SHEET: 1 of 1

This drawing and all information contained therein is the property of J.C.Pardo & Sons Inc. Balto MD. The drawing and all information is confidential and must not be made public or copied. It is loaned subject to return upon demand and is not to be used directly or indirectly in any way detrimental to J.C.Pardo & Sons.



4	VF800-000024	BEARING RODEND
3	VF800-000023	AIR CYLINDER
2	VF800-000026	SHAFT
1	VF800-000021	BEARING
ITEM	PART NO.	DESCRIPTION

REPLACEMENT PARTS LIST

REV.	DESCRIPTION	BY	DATE
	REVISIONS		

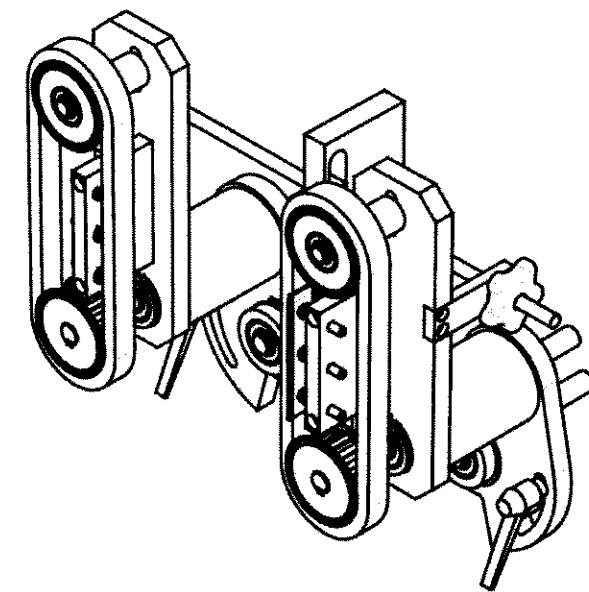
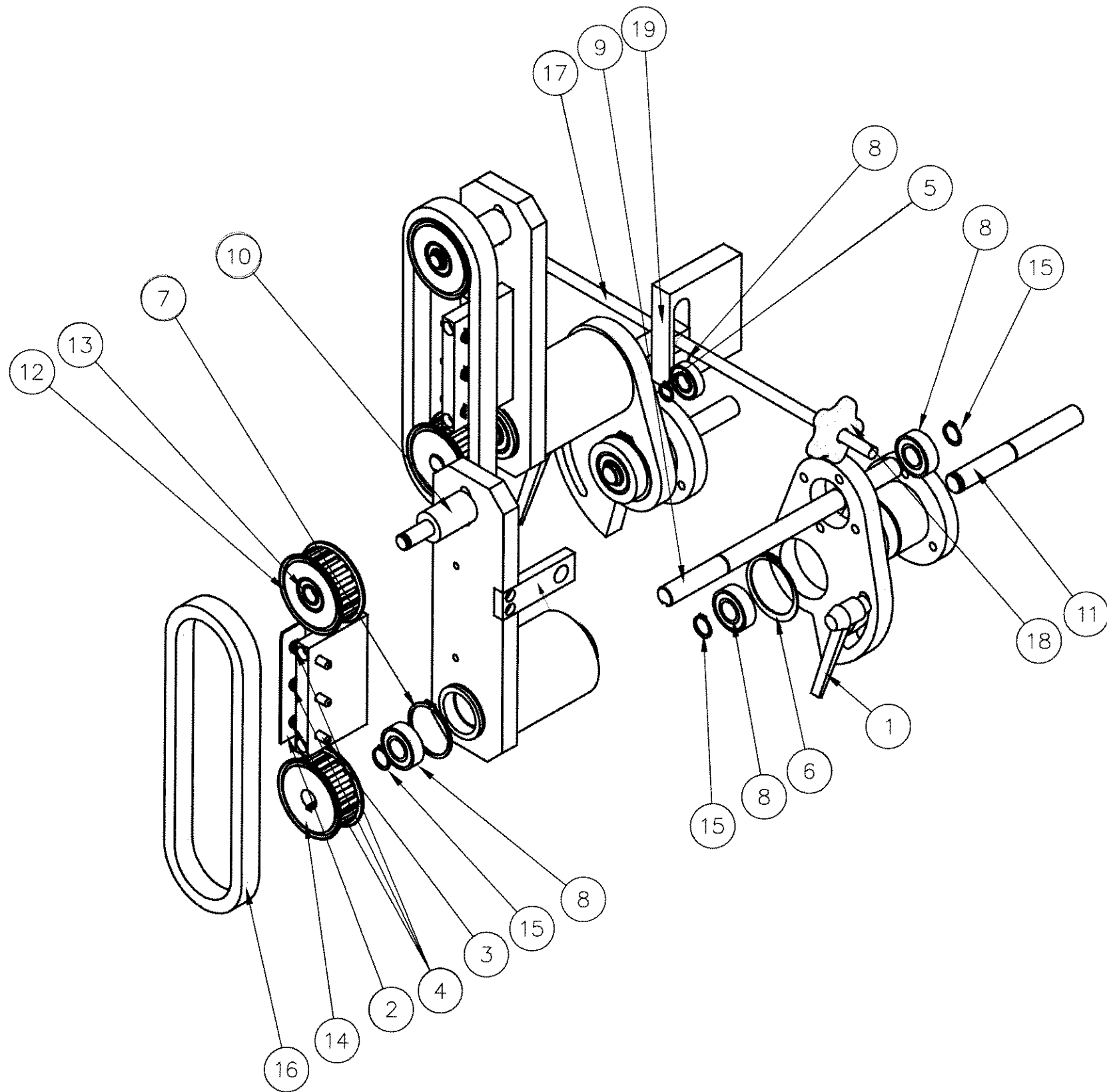
J.C.PARDO & SONS INC.
 1250 REAMES RD. BALTO MD. 21220
 PHONE (410) 391-3600 FAX (410) 391-9042

CHECKED BY:
 DRAWN BY: JES
 DATE: 11-18-05
 APPROVED BY:
 SCALE: NONE

REAR JAW ASSEMBLY
 AFF-950 REPLACEMENT PARTS

SIZE: C
 DRAWING NUMBER: 11720-4
 REV. SHEET
 1 of 1

This drawing and all information contained therein is the property of J.C.Pardo & Sons Inc. Balto MD. The drawing and all information is confidential and must not be made public or copied. It is loaned subject to return upon demand and is not to be used directly or indirectly in any way detrimental to J.C.Pardo & Sons.



19	VF800-000093	HOLDER, CENTER SPRING
18	VF800-000092	KNOB, ADJUSTMENT
17	VF800-000091	ROD, FULL THREADED
16	VF800-0000101	BELT
15	VF800-0000100	RING, EXTERNAL RETAINING
14	VF800-0000088	PULLEY
13	VF800-0000087	BALL BEARING
12	VF800-0000086	PULLY, TIMING
11	VF800-0000085	SHAFT, FILM DRIVE
10	VF800-0000084	SHAFT, IDLER PULLY
9	VF800-0000083	SHAFT, FILM DRIVE
8	VF800-0000082	BREARING
7	VF800-0000081	RING, EXTERNAL RETAINING
6	VF800-0000080	RING, EXTERNAL RETAINING
5	VF800-0000099	RING, EXTERNAL RETAINING
4	VF800-0000098	SPRING, JAW
3	VF800-0000097	BAR, ALIGNMENT, FILM DRIVER
2	VF800-0000096	PLATE, BACK BELT
1	VF800-0000094	HANDLE, RATCHET

ITEM	PART NO.	DESCRIPTION
REPLACEMENT PARTS LIST		

J.C.PARDO & SONS INC.
 1250 REAMES RD. BALTO MD. 21220
 PHONE (410) 391-3600 FAX (410) 391-9042

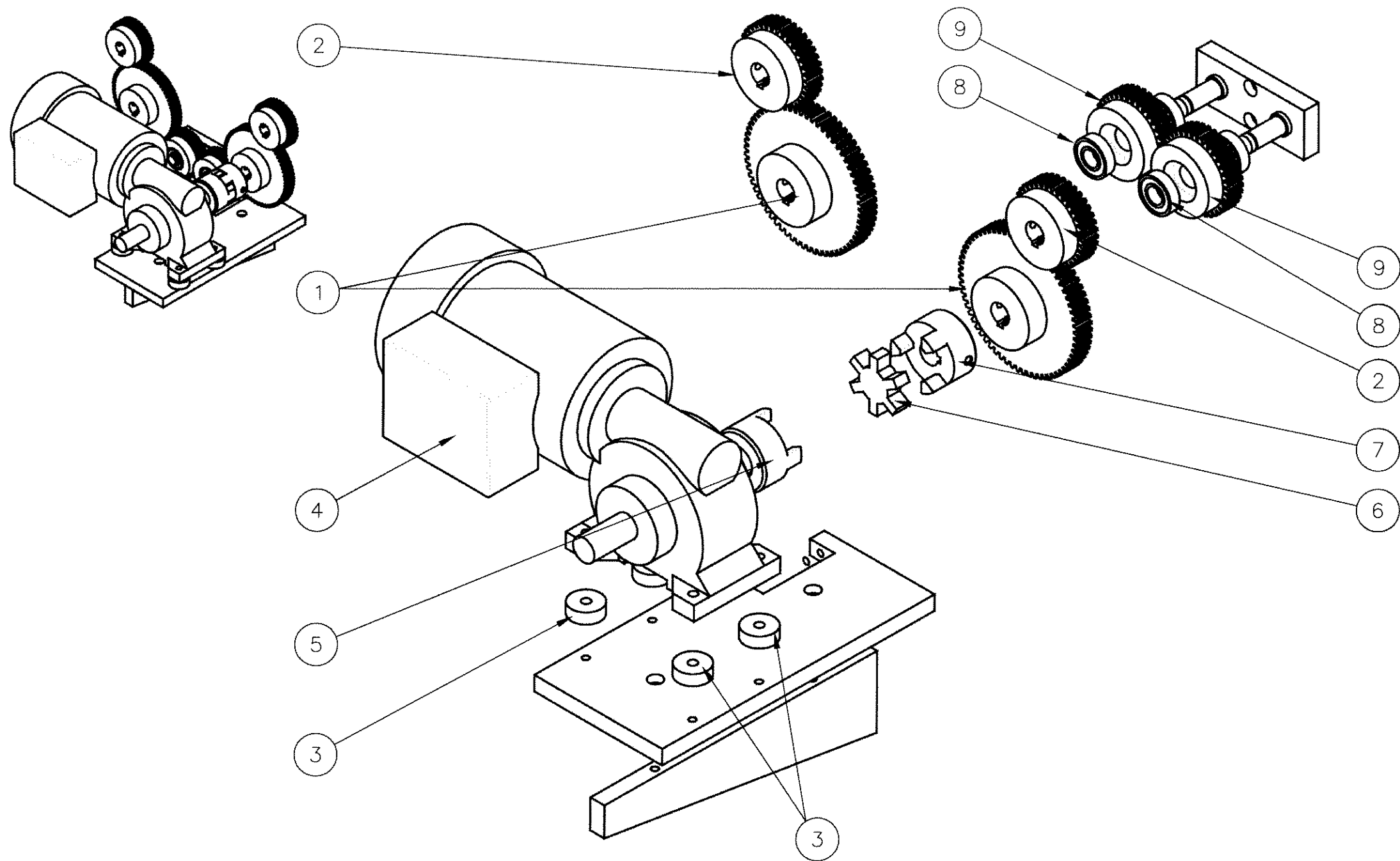
CHECKED BY: _____
 DRAWN BY: JES
 DATE: 11-18-05
 APPROVED BY: _____
 SCALE: NONE

FILM DRIVER ASSEMBLY, FRONT
 AFF-950 REPLACEMENT PARTS

SIZE: C DRAWING NUMBER: 11720-10
 REV. SHEET: 1 of 1

REV.	DESCRIPTION	BY	DATE
	REVISIONS		

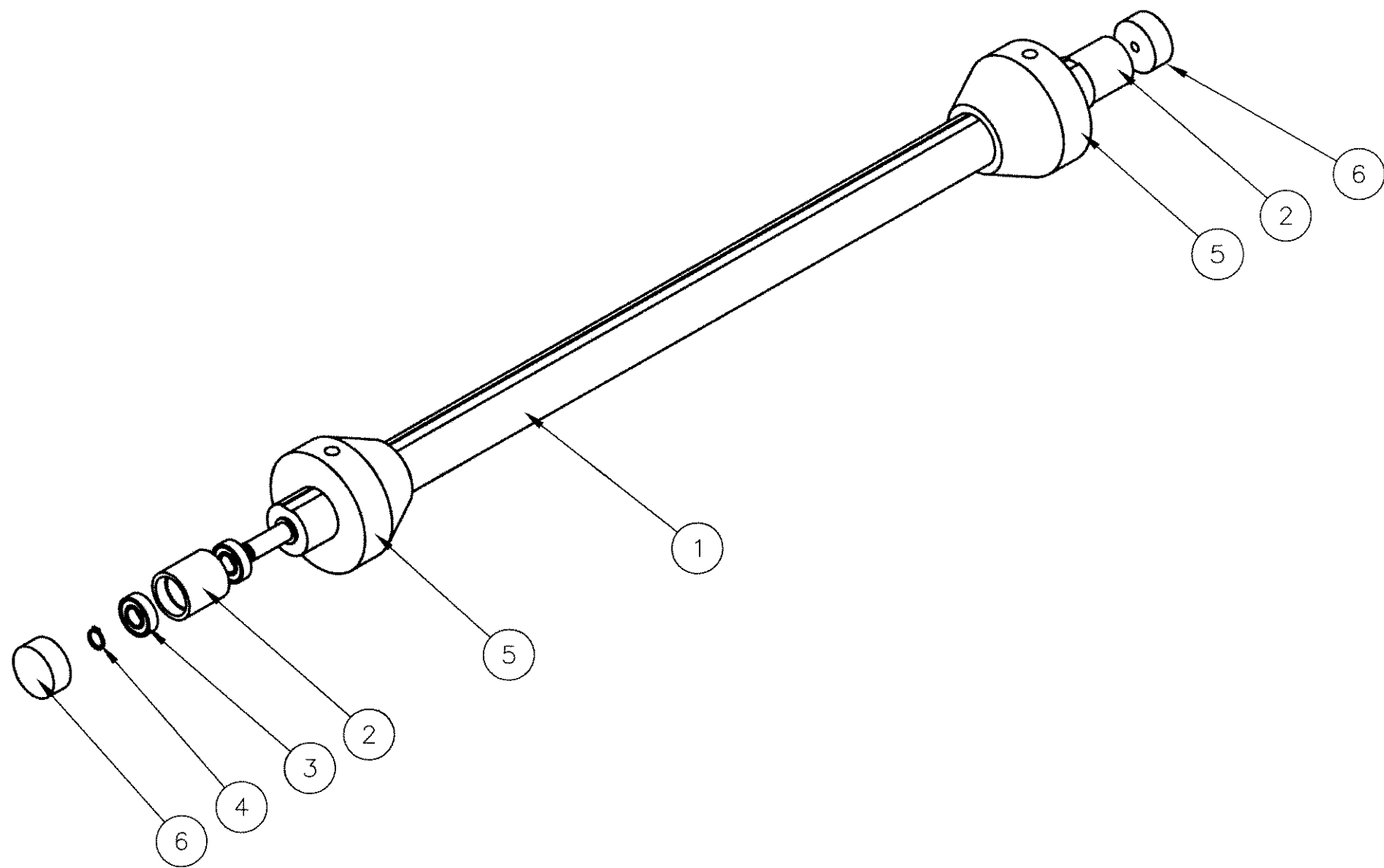
This drawing and all information contained therein is the property of J.C.Pardo & Sons Inc. Balto MD. The drawing and all information is confidential and must not be made public or copied. It is loaned subject to return upon demand and is not to be used directly or indirectly in any way detrimental to J.C.Pardo & Sons.



9	VF800-000072	GEAR
8	VF800-000071	BALL BEARING
7	VF800-000068	COUPLING
6	VF800-000067	SPIDER
5	VF800-000066	COUPLING
4	VF800-000064	MOTOR
3	VF800-000063	SPACER
2	VF800-000074	GEAR
1	VF800-000073	GEAR, SPUR

ITEM	PART NO.	DESCRIPTION
REPLACEMENT PARTS LIST		

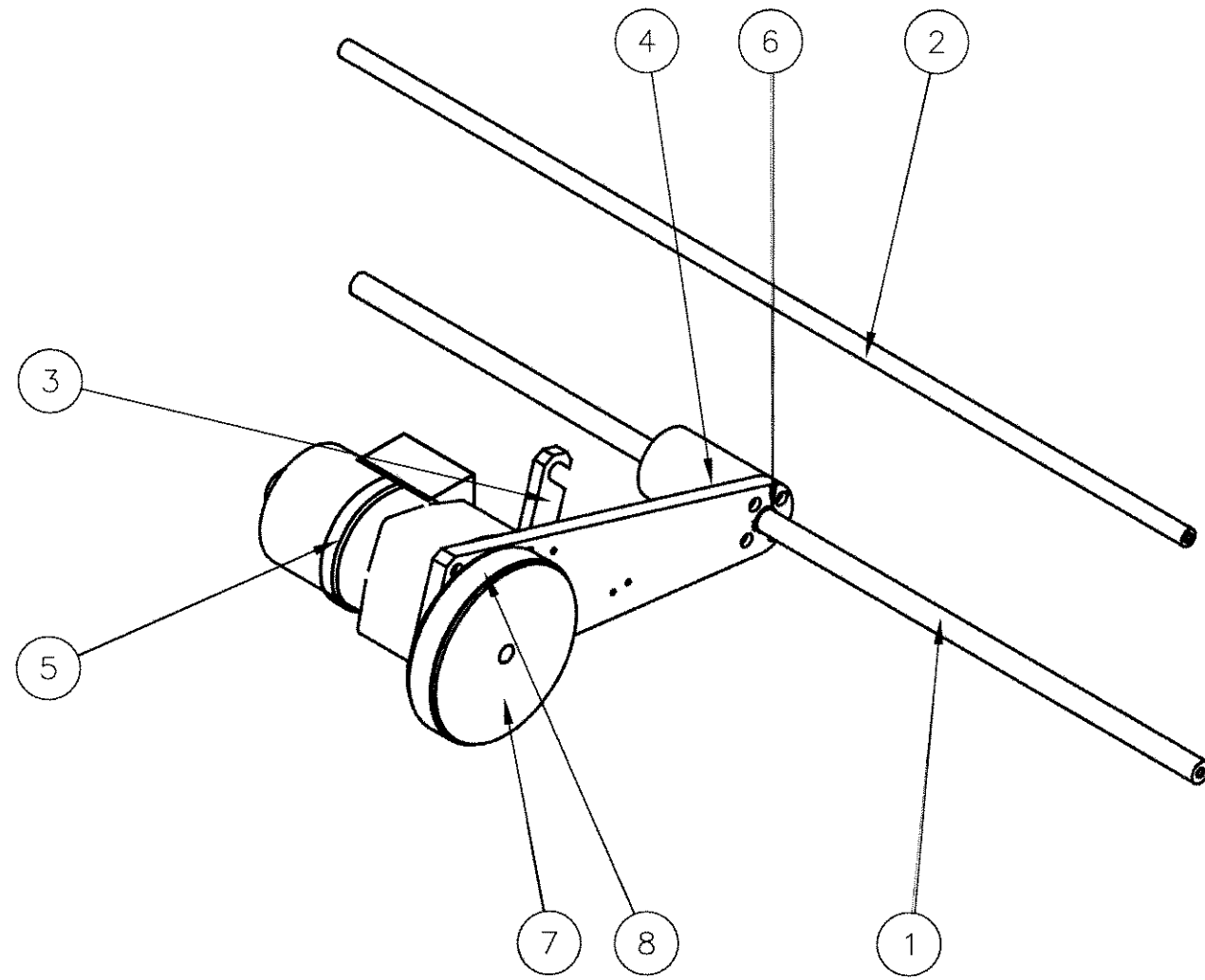
REV. DESCRIPTION BY DATE REVISIONS	J.C.PARDO & SONS INC. 1250 REAMES RD. BALTO MD. 21220 PHONE (410) 391-3600 FAX (410) 391-9042	CHECKED BY: APPROVED BY: DATE 11-18-05 SCALE: NONE	FILM DRIVER ASSEMBLY, REAR AFF-950 REPLACEMENT PARTS <small>This drawing and all information contained therein is the property of J.C.Pardo & Sons Inc. Balto MD. The drawing and all information is confidential and must not be made public or copied. It is loaned subject to return upon demand and is not to be used directly or indirectly in any way detrimental to J.C.Pardo & Sons.</small>	SIZE: C REV. DRAWING NUMBER: 11720-9 SHEET: 1 of 1
---	---	---	--	---



6	VF800-0000051	KNOB
5	VF800-0000050	COLLAR (FILM)
4	VF800-0000049	RING, EXTERNAL RETANING
3	VF800-0000048	BALL BEARING
2	VF800-0000047	ROLLER, FILM TAKE-UP
1	VF800-0000046	SHAFT, FILM HOLDER
ITEM	PART NO.	DESCRIPTION

REPLACEMENT PARTS LIST

J.C.PARDO & SONS INC. 1250 REAMES RD. BALTO MD. 21220 PHONE (410) 391-3600 FAX (410) 391-9042		CHECKED BY: DRAWN BY: JES DATE: 11-18-05 APPROVED BY: SCALE: NONE	FILM ROLL SUPPORT ASSEMBLY AFF-950 REPLACEMENT PARTS <small>This drawing and all information contained therein is the property of J.C.Pardo & Sons Inc. Balto MD. The drawing and all information is confidential and must not be made public or copied. It is loaned subject to return upon demand and is not to be used directly or indirectly in any way detrimental to J.C.Pardo & Sons.</small>	SIZE: C DRAWING NUMBER: 11720-7 REV. SHEET: 1 of 1	
REV.	DESCRIPTION	BY	DATE	REVISIONS	



8	VF800-0000117	BELT, DRIVE
7	VF800-0000140	WHEEL, FILM TAKE-UP
6	VF800-0000116	RING, EXTERNAL RETAINING
5	2E800-0000002	MOTOR, FILM TAKE-UP
4	VF800-0000115	SUPPORT COLLAR, FILM TAKE-UP
3	1FS00-0000060	FILM TAKE-UP HOOK
2	VF800-0000113	SHAFT, FILM TAKE-UP
1	VF800-0000112	SHAFT, MOTOR PIVOT
ITEM	PART NO.	DESCRIPTION

REPLACEMENT PARTS LIST

J.C.PARDO & SONS INC.

1250 REAMES RD. BALTO MD. 21220
 PHONE (410) 391-3600 FAX (410) 391-9042



CHECKED BY:

DRAWN BY: JES

APPROVED BY:

DATE 11-18-05

SCALE: NONE

FILM TAKEUP ASSEMBLY
 AFF-950 REPLACEMENT PARTS

SIZE: C

DRAWING NUMBER: 11720-12

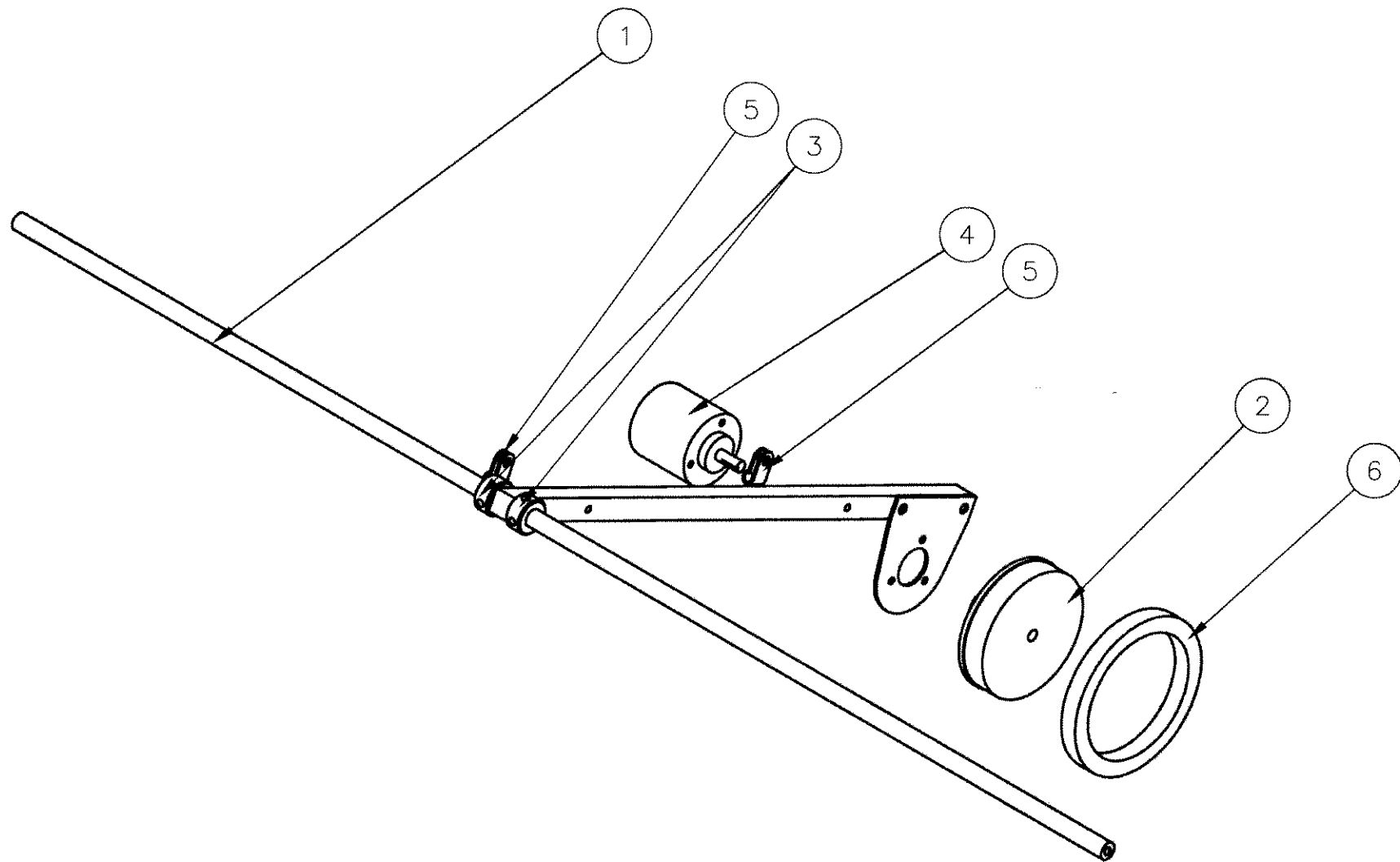
REV.

SHEET

1 of 1

This drawing and all information contained therein is the property of J.C.Pardo & Sons Inc. Balto MD. The drawing and all information is confidential and must not be made public or copied. It is loaned subject to return upon demand and is not to be used directly or indirectly in any way detrimental to J.C.Pardo & Sons.

REV.	DESCRIPTION	BY	DATE
	REVISIONS		



6	VF800-0000123	BELT, DRIVE
5	VF800-0000111	CLAMP, CABLE
4	VF800-0000121	ENCODER, ROTARY
3	VF800-0000125	SET COLLAR
2	VF800-0000124	WHEEL, ENCODER
1	VF800-0000118	SHAFT, ENCODER

ITEM	PART NO.	DESCRIPTION
REPLACEMENT PARTS LIST		

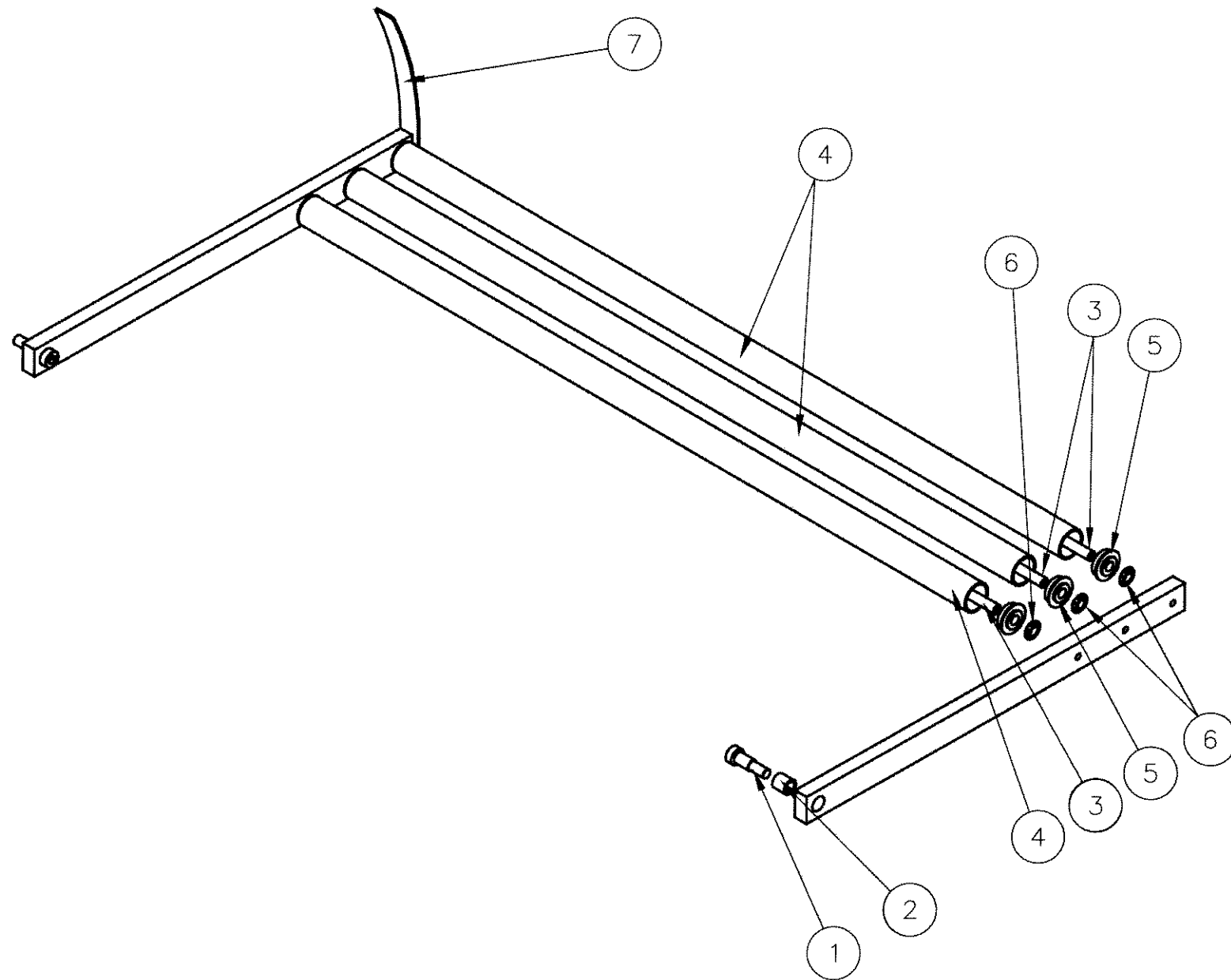
REV.	DESCRIPTION	BY	DATE
	REVISIONS		

J.C.PARDO & SONS INC.
 1250 REAMES RD. BALTO MD. 21220
 PHONE (410) 391-3600 FAX (410) 391-9042

CHECKED BY:
 DRAWN BY: JES
 DATE: 11-18-05
 APPROVED BY:
 SCALE: NONE

ENCODER ASSEMBLY
AFF-950 REPLACEMENT PARTS
This drawing and all information contained therein is the property of J.C.Pardo & Sons Inc. Balto MD. The drawing and all information is confidential and must not be made public or copied. It is loaned subject to return upon demand and is not to be used directly or indirectly in any way detrimental to J.C.Pardo & Sons.

SIZE: C DRAWING NUMBER: 11720-13
 REV. SHEET: 1 of 1



7	VF800-0000058	BRACKET
6	VF800-0000057	SPRINGER, STEEL
5	VF800-0000056	BALL BEARING, FLANGED
4	VF800-0000055	TUBE
3	VF800-0000054	ROD, FILM TAKE-UP
2	VF800-0000059	BUSHING, OILITE
1	VF800-0000060	HEX-SOCKET SHOULDER SCREW
ITEM	PART NO.	DESCRIPTION

REPLACEMENT PARTS LIST

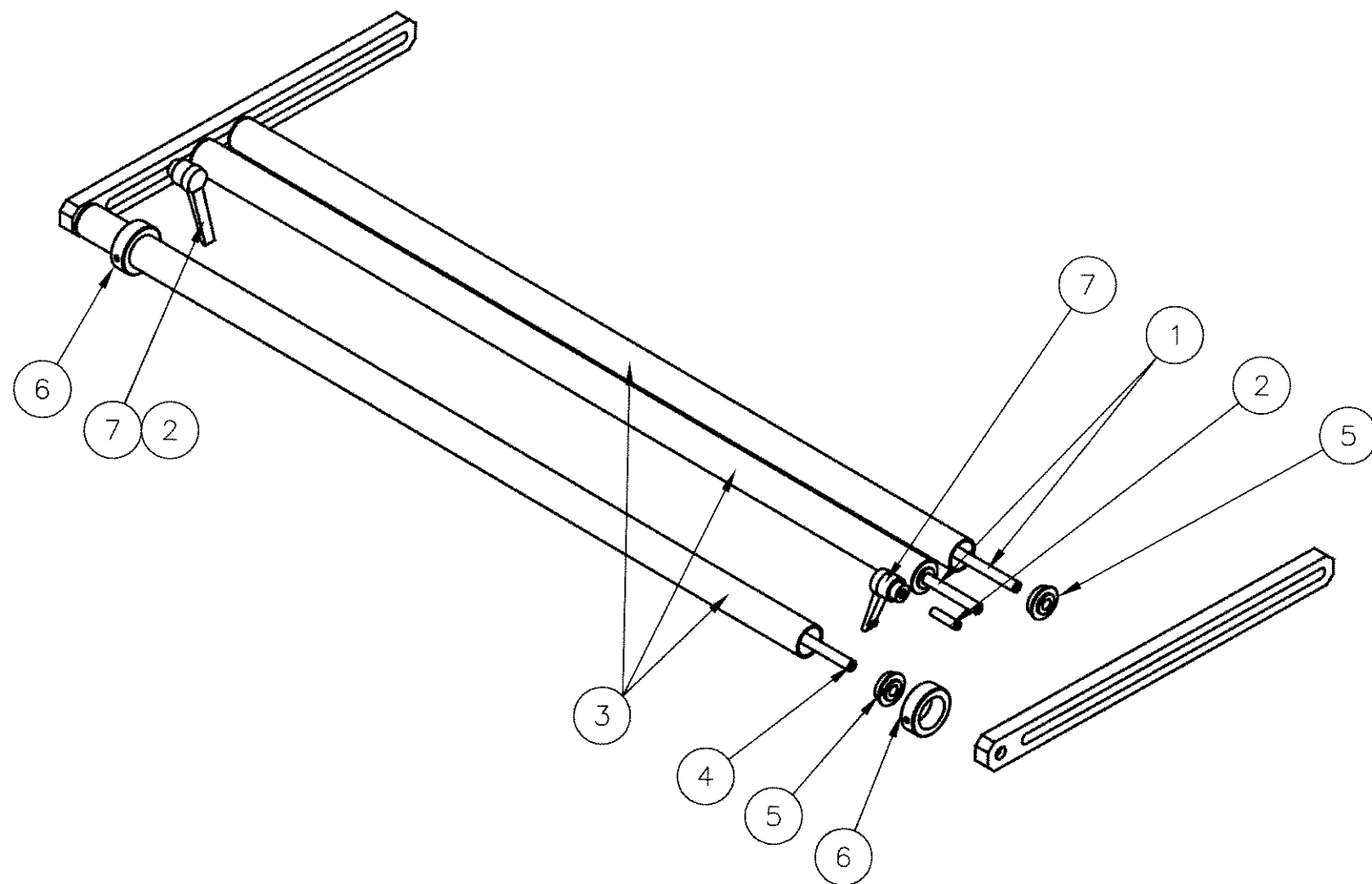
REV.	DESCRIPTION	BY	DATE
	REVISIONS		

J.C.PARDO & SONS INC.
 1250 REAMES RD.  BALTO MD. 21220
 PHONE (410) 391-3600 FAX (410) 391-9042

CHECKED BY:	DRAWN BY: JES
APPROVED BY:	DATE: 11-18-05
	SCALE: NONE

DANCING BAR ASSEMBLY
 AFF-950 REPLACEMENT PARTS
This drawing and all information contained therein is the property of J.C.Pardo & Sons Inc. Balto MD. The drawing and all information is confidential and must not be made public or copied. It is loaned subject to return upon demand and is not to be used directly or indirectly in any way detrimental to J.C.Pardo & Sons.

SIZE: C	DRAWING NUMBER: 11720-8
REV.	SHEET 1 of 1



7	VF800-0000135	HANDLE, RATCHET
6	VF800-0000134	COLLAR, FILM GUIDE
5	VF800-0000056	BALL BEARING, FLANGED
4	VF800-0000132	ROD, FILM TAKE-UP
3	VF800-0000131	TUBE
2	VF800-0000136	SCREW, SOCKET SET
1	VF800-0000129	SHAFT
ITEM	PART NO.	DESCRIPTION

REPLACEMENT PARTS LIST

J.C.PARDO & SONS INC.
 1250 REAMES RD. BALTO MD. 21220
 PHONE (410) 391-3600 FAX (410) 391-9042

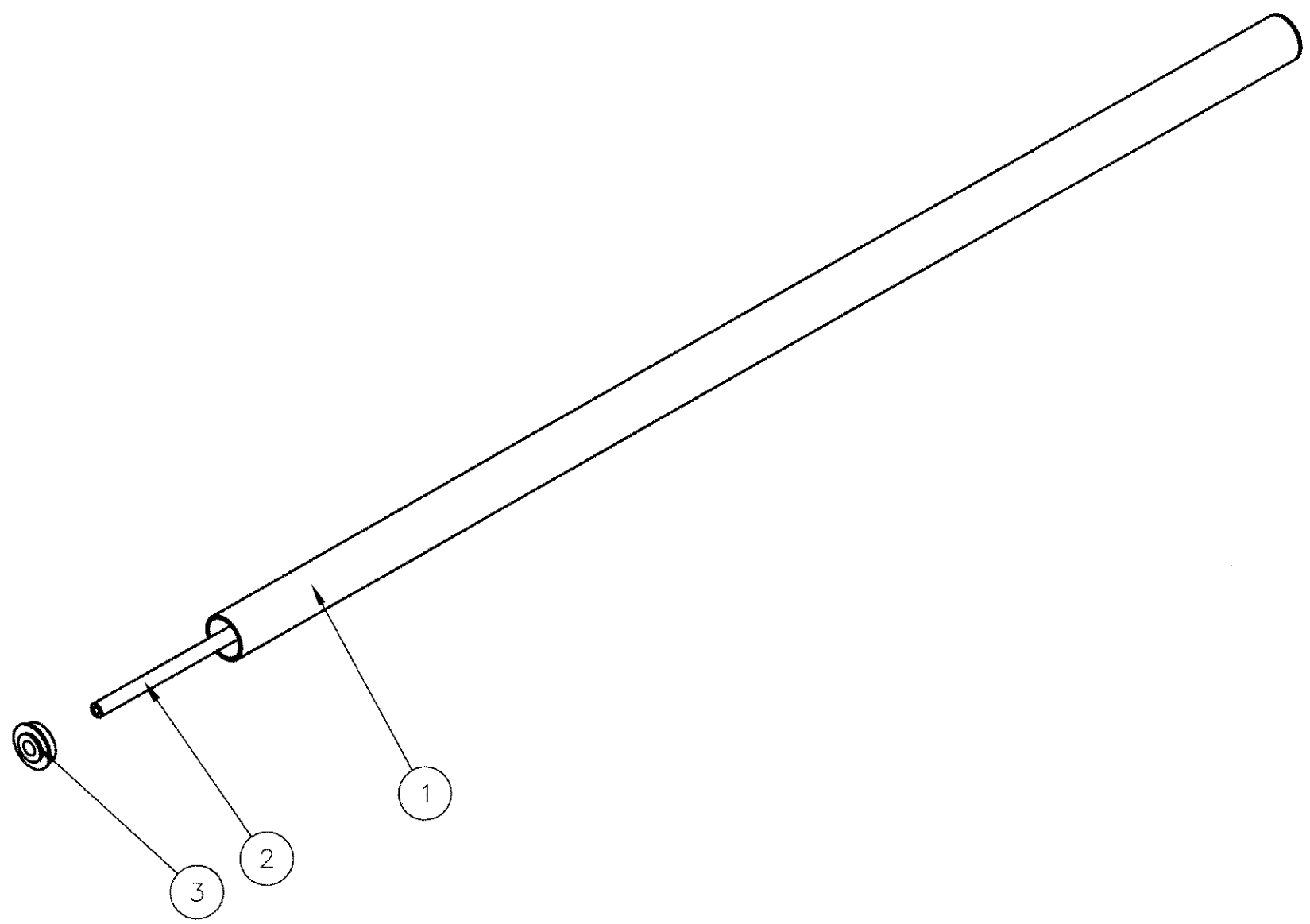
CHECKED BY: _____
 DRAWN BY: JES
 DATE: 11-18-05
 APPROVED BY: _____
 SCALE: NONE

ROLLER FORMER ASSEMBLY
 AFF-950 REPLACEMENT PARTS

SIZE: C DRAWING NUMBER: 11720-15
 REV. SHEET
 1 of 1


REV.	DESCRIPTION	BY	DATE
	REVISIONS		

This drawing and all information contained therein is the property of J.C.Pardo & Sons Inc. Balto MD. The drawing and all information is confidential and must not be made public or copied. It is loaned subject to return upon demand and is not to be used directly or indirectly in any way detrimental to J.C.Pardo & Sons



3	VF800-000056	BALL BEARING FLANGED
2	VF800-0000127	SHAFT
1	VF800-0000126	TUBE
ITEM	PART NO.	DESCRIPTION
REPLACEMENT PARTS LIST		

REV.	DESCRIPTION	BY	DATE
	REVISIONS		

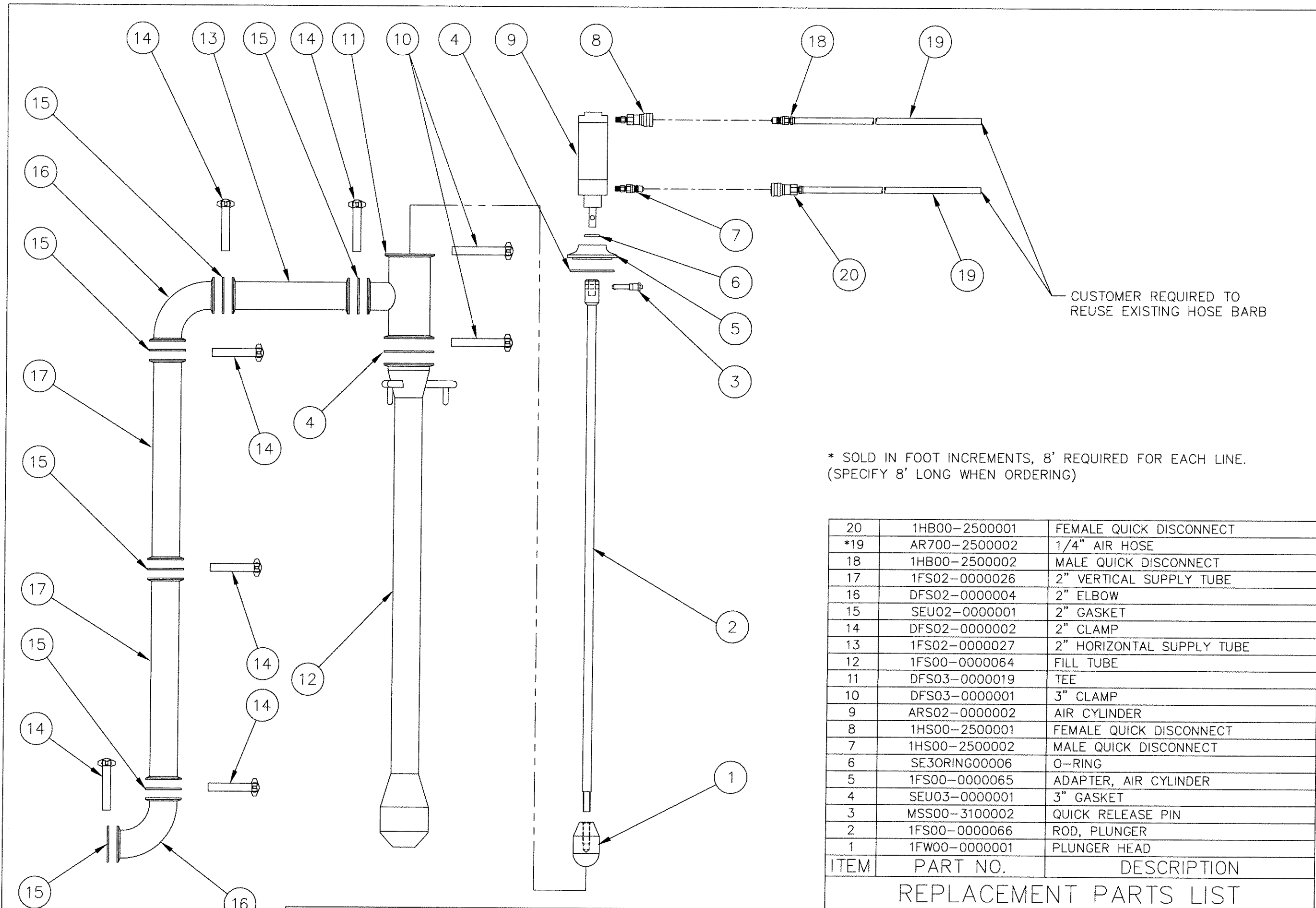
J.C.PARDO & SONS INC.
 1250 REAMES RD.  BALTO MD. 21220
 PHONE (410) 391-3600 FAX (410) 391-9042

CHECKED BY:	DRAWN BY: JES
APPROVED BY:	DATE 11-18-05
	SCALE: NONE

ROLLER ASSEMBLY
 AFF-950 REPLACEMENT PARTS

SIZE: C	DRAWING NUMBER: 11720-14
REV.	SHEET 1 of 1

This drawing and all information contained therein is the property of J.C.Pardo & Sons Inc. Balto MD. The drawing and all information is confidential and must not be made public or copied. It is loaned subject to return upon demand and is not to be used directly or indirectly in any way detrimental to J.C.Pardo & Sons.



CUSTOMER REQUIRED TO REUSE EXISTING HOSE BARB

* SOLD IN FOOT INCREMENTS, 8' REQUIRED FOR EACH LINE.
(SPECIFY 8' LONG WHEN ORDERING)

20	1HB00-2500001	FEMALE QUICK DISCONNECT
*19	AR700-2500002	1/4" AIR HOSE
18	1HB00-2500002	MALE QUICK DISCONNECT
17	1FS02-0000026	2" VERTICAL SUPPLY TUBE
16	DFS02-0000004	2" ELBOW
15	SEU02-0000001	2" GASKET
14	DFS02-0000002	2" CLAMP
13	1FS02-0000027	2" HORIZONTAL SUPPLY TUBE
12	1FS00-0000064	FILL TUBE
11	DFS03-0000019	TEE
10	DFS03-0000001	3" CLAMP
9	ARS02-0000002	AIR CYLINDER
8	1HS00-2500001	FEMALE QUICK DISCONNECT
7	1HS00-2500002	MALE QUICK DISCONNECT
6	SE3ORING00006	O-RING
5	1FS00-0000065	ADAPTER, AIR CYLINDER
4	SEU03-0000001	3" GASKET
3	MSS00-3100002	QUICK RELEASE PIN
2	1FS00-0000066	ROD, PLUNGER
1	1FW00-0000001	PLUNGER HEAD

REPLACEMENT PARTS LIST

REV.	DESCRIPTION	BY	DATE
	REVISIONS		

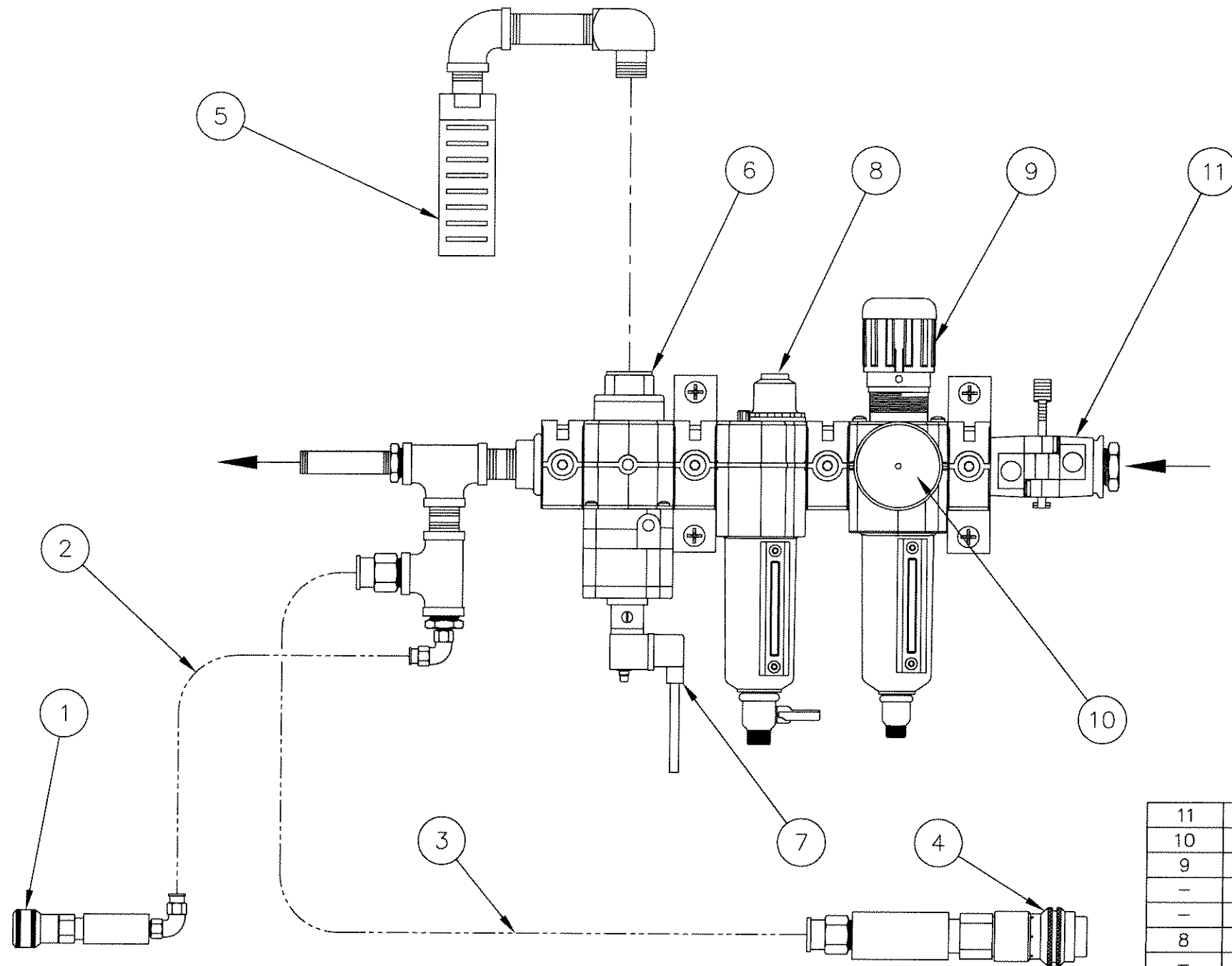
J.C.PARDO & SONS INC.
 1250 REAMES RD. BALTO MD. 21220
 PHONE (410) 391-3600 FAX (410) 391-9042

CHECKED BY: _____
 DRAWN BY: JES
 DATE: 11-18-05
 APPROVED BY: _____
 SCALE: NONE

FILL VALVE ASSEMBLY
 AFF-950 REPLACEMENT PARTS

SIZE: C DRAWING NUMBER: 11720-21
 REV. SHEET: 1 of 1

This drawing and all information contained therein is the property of J.C.Pardo & Sons Inc. Balto MD. The drawing and all information is confidential and must not be made public or copied. It is loaned subject to return upon demand and is not to be used directly or indirectly in any way detrimental to J.C.Pardo & Sons.



11	AR800-0000014	MANUAL SHUT OFF VALVE
10	AR800-0000013	GAUGE
9	AR800-0000012	AIR FILTER REGULATOR
-	SP999-9900095	REPLACEMENT ELEMENT FOR ITEM #9
-	AR800-0000018	REPLACEMENT BOWL FOR ITEM #9
8	AR800-0000011	LUBRICATOR
-	SP999-9900094	REPLACEMENT ELEMENT FOR ITEM # 8
-	AR800-0000019	REPLACEMENT BOWL FOR ITEM #8
7	ELP00-0000056	DIN CONNECTOR
6	AR800-0000017	DUMP VALVE
-	SP988-8800040	REPLACEMENT COIL FOR ITEM #6
5	AR800-0000010	AIR MUFFLER
4	ARB00-5000001	SAFETY AIR DISCONNECT
3	ARP00-5000001	1/2" TUBE
2	ARP00-2500003	1/4" TUBE
1	ARB00-2500006	AIR QUICK DISCONNECT

ITEM	PART NO.	DESCRIPTION
REPLACEMENT PARTS LIST		

REV.	DESCRIPTION	BY	DATE
	REVISIONS		

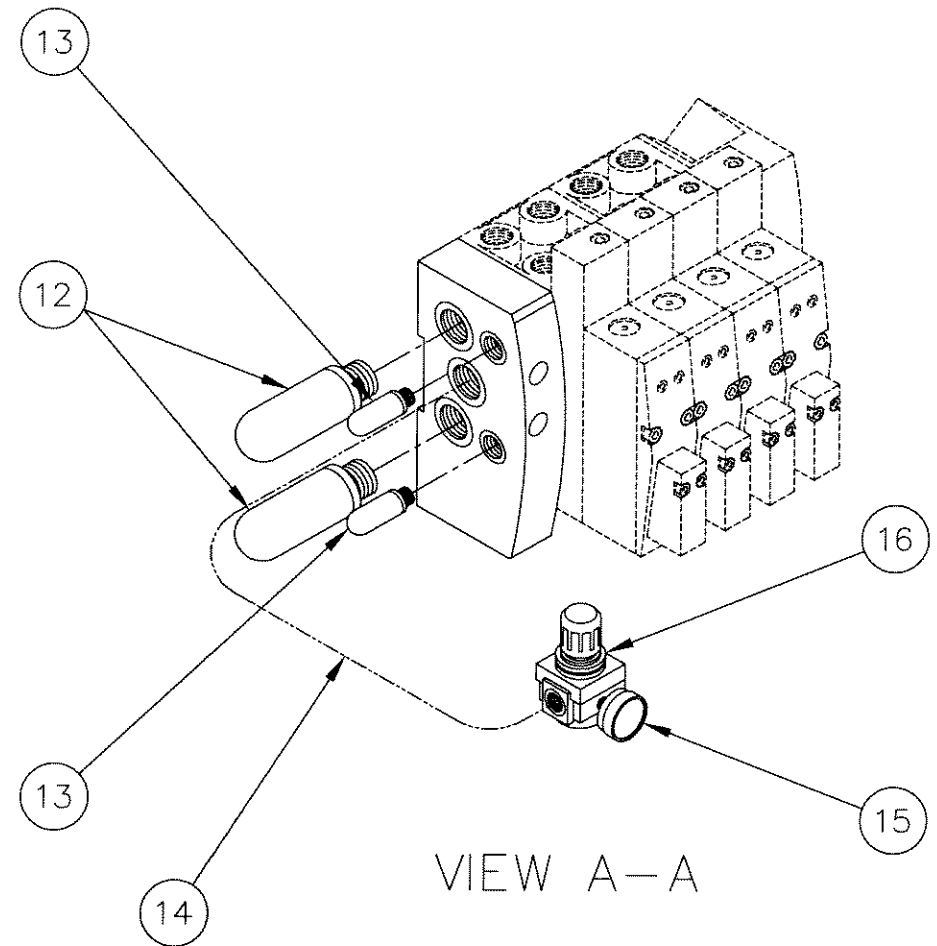
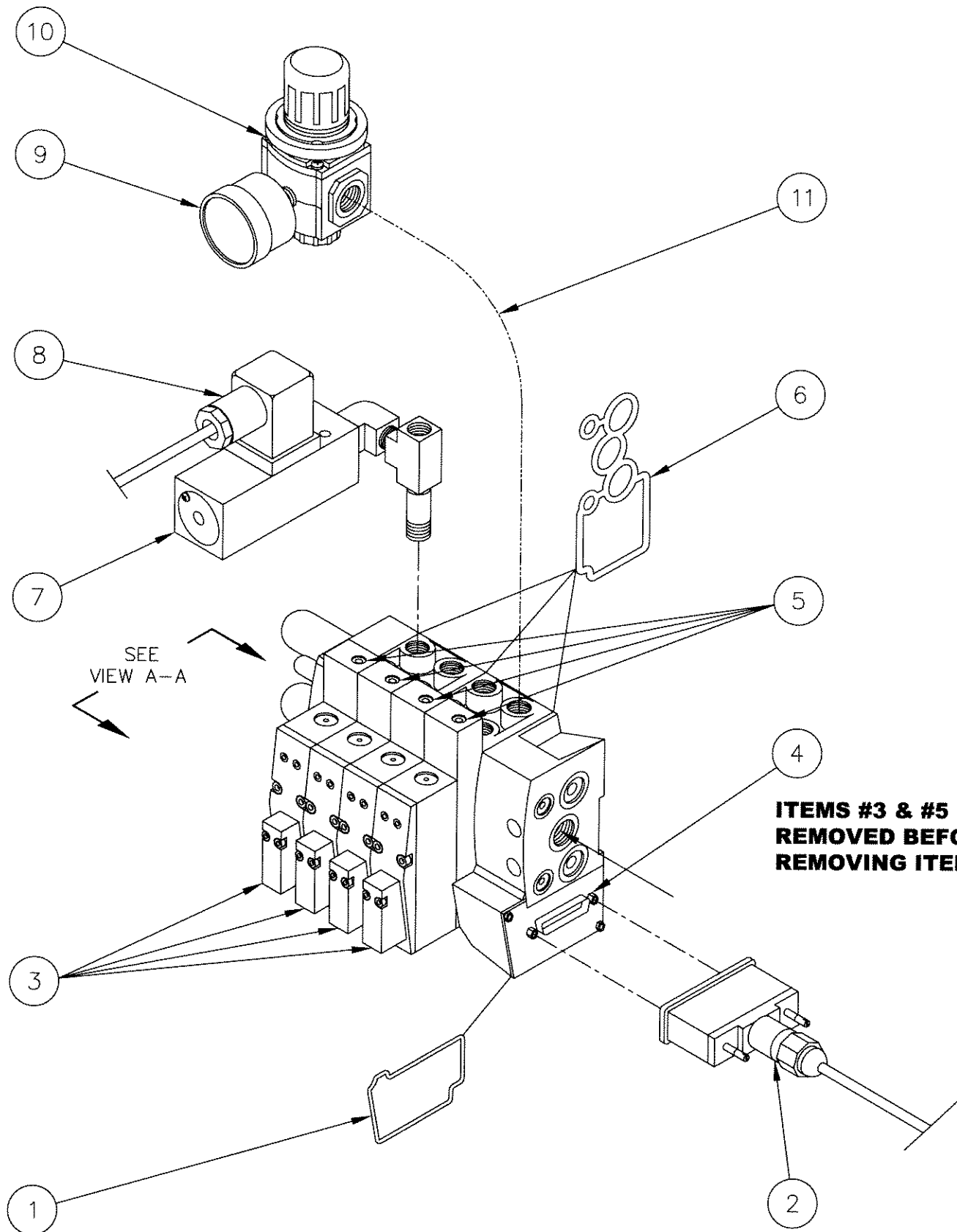
J.C.PARDO & SONS INC.
 1250 REAMES RD. BALTO MD. 21220
 PHONE (410) 391-3600 FAX (410) 391-9042

CHECKED BY:	DRAWN BY: JES
APPROVED BY:	DATE: 11-18-05
	SCALE: NONE

**AIR FILTER ASSEMBLY
 AFF-950 REPLACEMENT PARTS**

This drawing and all information contained therein is the property of J.C.Pardo & Sons Inc., Balto MD. The drawing and all information is confidential and must not be made public or copied. It is loaned subject to return upon demand and is not to be used directly or indirectly in any way detrimental to J.C.Pardo & Sons.

SIZE: C	DRAWING NUMBER: 11720-18
REV.	SHEET
	1 of 1



16	AR800-000022	MINI AIR REGULATOR
15	AR800-000023	GAUGE
14	ARP00-2500003	1/4" TUBE
13	ARP00-1200001	1/8" MUFFLER
12	ARP00-3700003	3/8" MUFFLER
11	ARP00-3700002	3/8" TUBE
10	AR800-000021	AIR REGULATOR
9	AR800-000020	GAUGE
8	ELP00-0000057	DIN CONNECTOR
7	AR8VA-0000006	PRESSURE SENSING VALVE
6	SED00-0000008	GASKET
5	EL8CO-0000082	FLOW CONTROL VALVE
4	AR8VA-0000005	25 PIN OUTPUT BOARD
3	AR8VA-0000004	SOLENOID VALVE
-	SP988-8800041	REPLACEMENT COIL FOR ITEM #3
2	EL800-0000017	CABLE WITH 25 PIN CONNECTOR
1	SED00-0000007	GASKET

REPLACEMENT PARTS LIST

REV.	DESCRIPTION	BY	DATE
	REVISIONS		

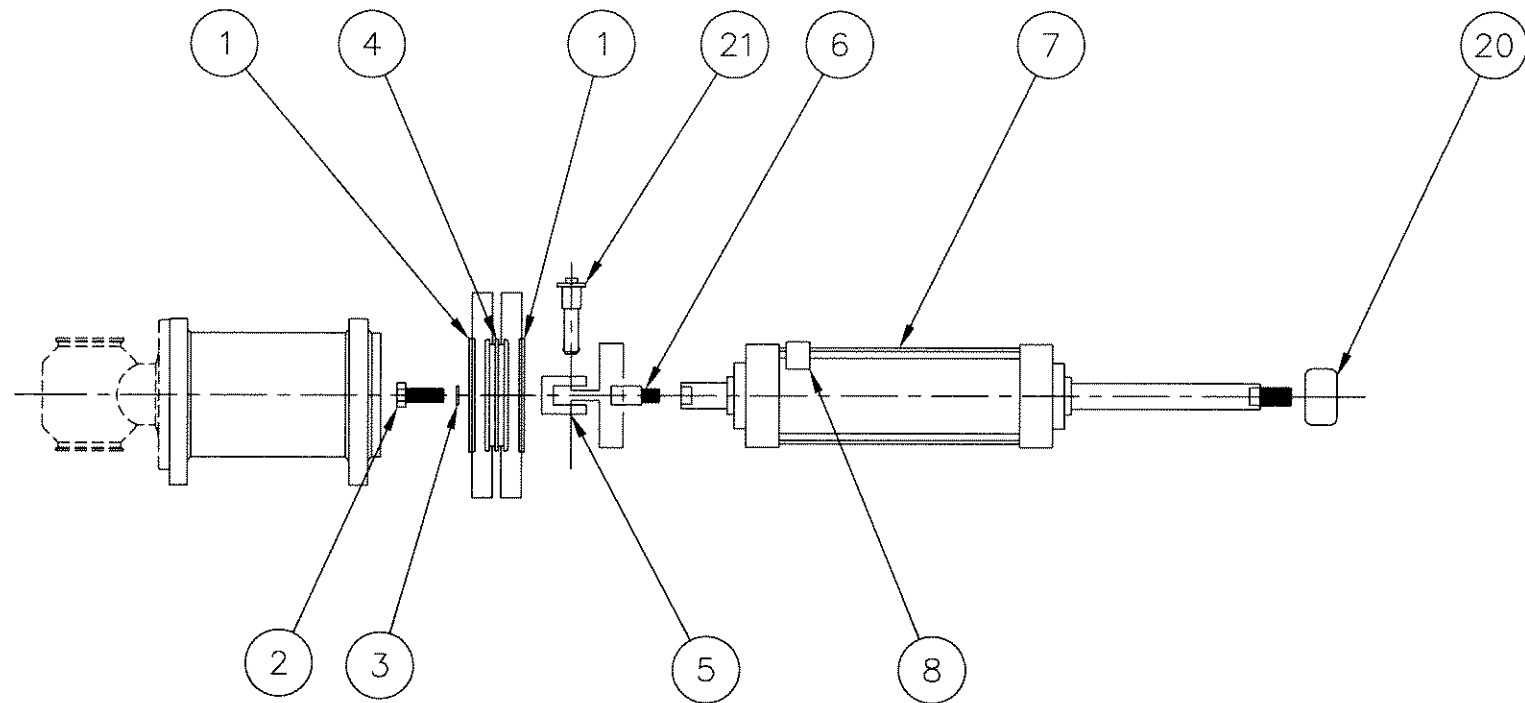
J.C.PARDO & SONS INC.
 1250 REAMES RD. BALTO MD. 21220
 PHONE (410) 391-3600 FAX (410) 391-9042

CHECKED BY: _____
 DRAWN BY: JES
 DATE: 11-18-05
 APPROVED BY: _____
 SCALE: NONE

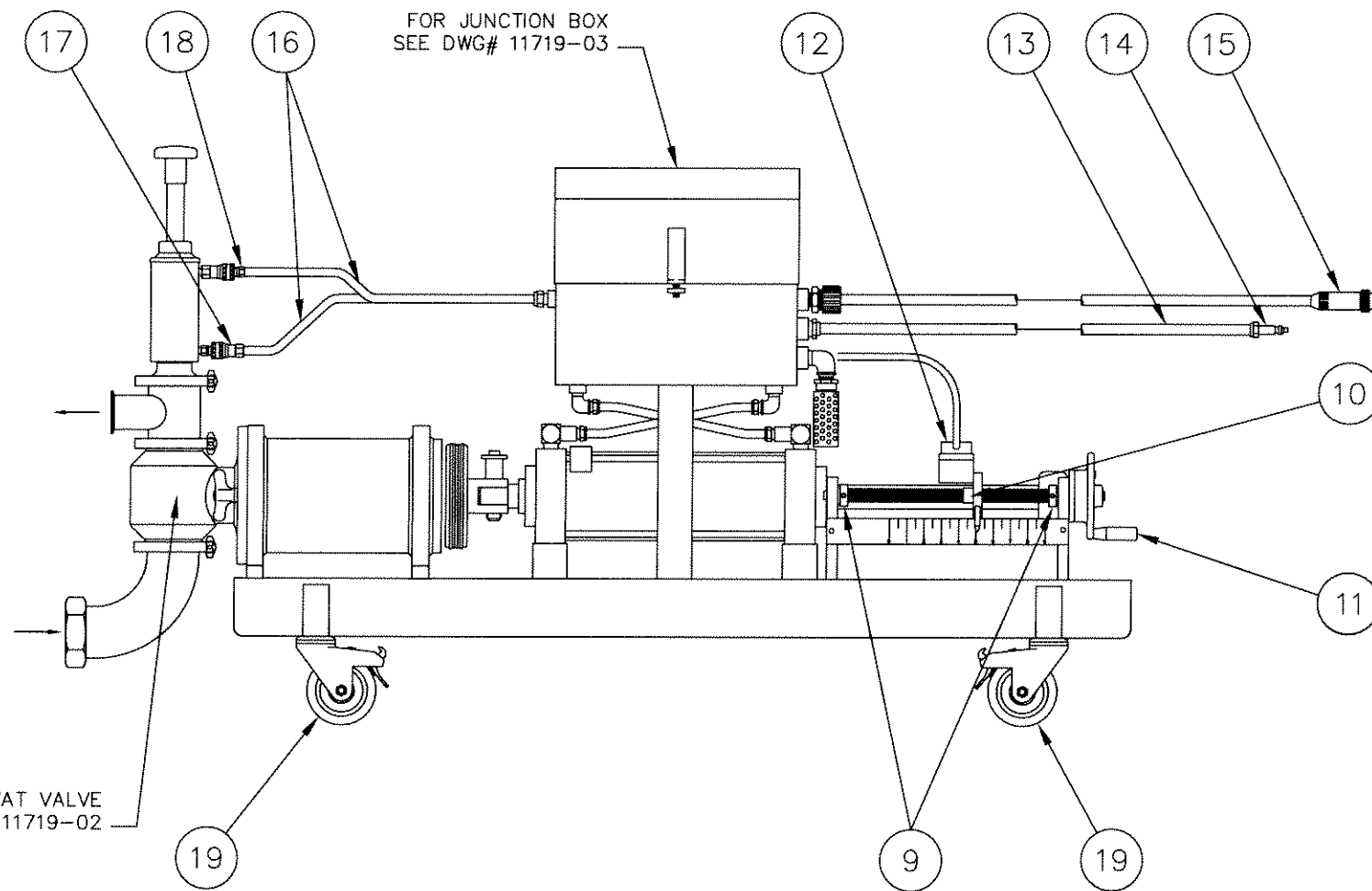
AIR VALVE ASSEMBLY
 AFF-950 REPLACEMENT PARTS

This drawing and all information contained therein is the property of J.C.Pardo & Sons Inc. Balto MD. The drawing and all information is confidential and must not be made public or copied. It is loaned subject to return upon demand and is not to be used directly or indirectly in any way detrimental to J.C.Pardo & Sons.

SIZE: C DRAWING NUMBER: 11720-17
 REV. SHEET: 1 of 1



FOOD PUMP EXPLODED VIEW



* CUSTOMER TO SPECIFY LENGTHS.
HOSE SOLD IN FOOT INCREMENTS

21	MSS00-7500001	QUICK RELEASE PIN
20	1F800-0000001	ACTIVATOR BLOCK
19	HWD03-0000001	SWIVEL CASTERS WITH BREAKS
18	1HS00-2500006	MALE QUICK DISCONNECT
17	1HS00-2500004	FEMALE QUICK DISCONNECT
* 16	AR700-2500002	1/4" AIR HOSE, GRAY
15	ELR00-0000003	POWER CABLE WITH PLUG
14	ARB00-5000005	MALE QUICK DISCONNECT
* 13	AR700-5000002	1/2" AIR HOSE, GRAY
12	EL8SW-0000016	MICRO SWITCH
11	HWS00-0000031	HANDLE
10	HWP00-7500001	THREADED BEARING
9	HWS00-5000021	SET COLLAR
8	EL8SW-0000017	PROXIMITY SWITCH
7	ARS05-0000001	AIR CYLINDER
6	1FS00-0000067	ROD END, AIR CYLINDER
5	1FS00-0000068	CLEVIS, COMPRESSION PLATE
4	1FA06-0000001	COMPRESSION PLATE
3	SE3ORING00006	O-RING, COMPRESSION PLATE
2	HWS00-7500019	RETAINING BOLT, COMPRESSION PLATE
1	SE3SEALS00002	U-CUP, COMPRESSION PLATE
ITEM	PART NO.	DESCRIPTION

REPLACEMENT PARTS LIST

J.C.PARDO & SONS INC.
 1250 REAMES RD. BALTO MD. 21220
 PHONE (410) 391-3600 FAX (410) 391-9042

CHECKED BY: _____
 DRAWN BY: _____
 DATE: _____
 APPROVED BY: _____
 SCALE: NONE

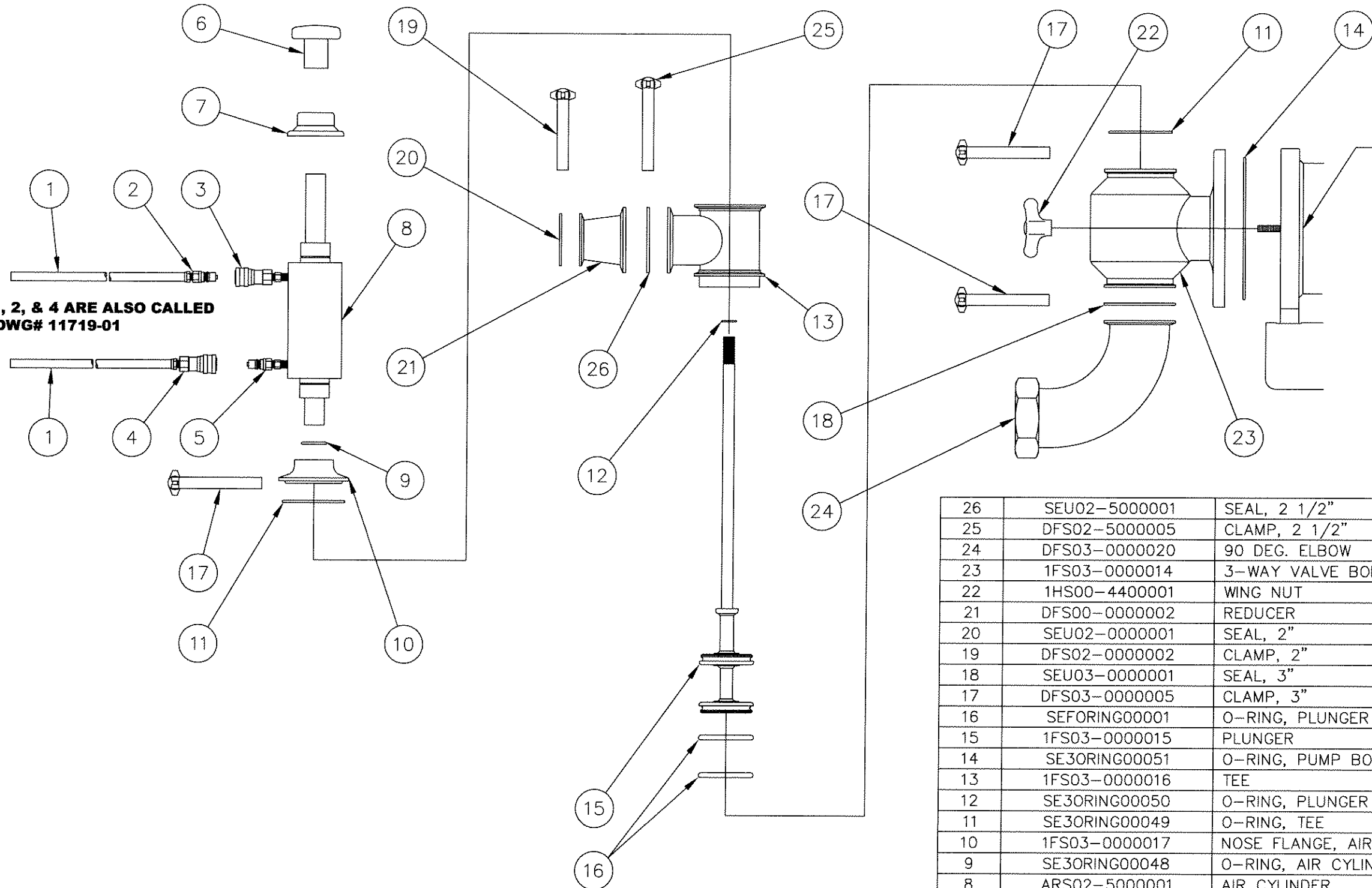
FOOD TRANSFER PUMP
 AFF-950 REPLACEMENT PARTS

SIZE: C DRAWING NUMBER: 11719-01
 REV. SHEET 1 of 1

REV.	DESCRIPTION	BY	DATE
	REVISIONS		

This drawing and all information contained therein is the property of J.C.Pardo & Sons Inc. Balto MD. The drawing and all information is confidential and must not be made public or copied. It is loaned subject to return upon demand and is not to be used directly or indirectly in any way detrimental to J.C.Pardo & Sons.

ITEMS #1, 2, & 4 ARE ALSO CALLED
OUT ON DWG# 11719-01



* CUSTOMER TO SPECIFY LENGTH,
SOLD IN FOOT INCREMENTS

26	SEU02-5000001	SEAL, 2 1/2"
25	DFS02-5000005	CLAMP, 2 1/2"
24	DFS03-0000020	90 DEG. ELBOW
23	1FS03-0000014	3-WAY VALVE BODY
22	1HS00-4400001	WING NUT
21	DFS00-0000002	REDUCER
20	SEU02-0000001	SEAL, 2"
19	DFS02-0000002	CLAMP, 2"
18	SEU03-0000001	SEAL, 3"
17	DFS03-0000005	CLAMP, 3"
16	SEFORING00001	O-RING, PLUNGER HEAD
15	1FS03-0000015	PLUNGER
14	SE3ORING00051	O-RING, PUMP BODY
13	1FS03-0000016	TEE
12	SE3ORING00050	O-RING, PLUNGER ROD
11	SE3ORING00049	O-RING, TEE
10	1FS03-0000017	NOSE FLANGE, AIR CYLINDER
9	SE3ORING00048	O-RING, AIR CYLINDER
8	ARS02-5000001	AIR CYLINDER
7	1FA00-0000004	CAP, AIR CYLINDER
6	HW800-6300001	LOCKING KNOB, PLUNGER
5	1HS00-2500003	MALE QUICK QISCONNECT
4	1HS00-2500004	FEMALE QUICK QISCONNECT
3	1HS00-2500005	FEMALE QUICK QISCONNECT
2	1HS00-2500006	MALE QUICK QISCONNECT
* 1	AR700-2500002	AIR HOSE, GRAY

REPLACEMENT PARTS LIST

REV.	DESCRIPTION	BY	DATE
	REVISIONS		

J.C.PARDO & SONS INC.
 1250 REAMES RD. BALTO MD. 21220
 PHONE (410) 391-3600 FAX (410) 391-9042

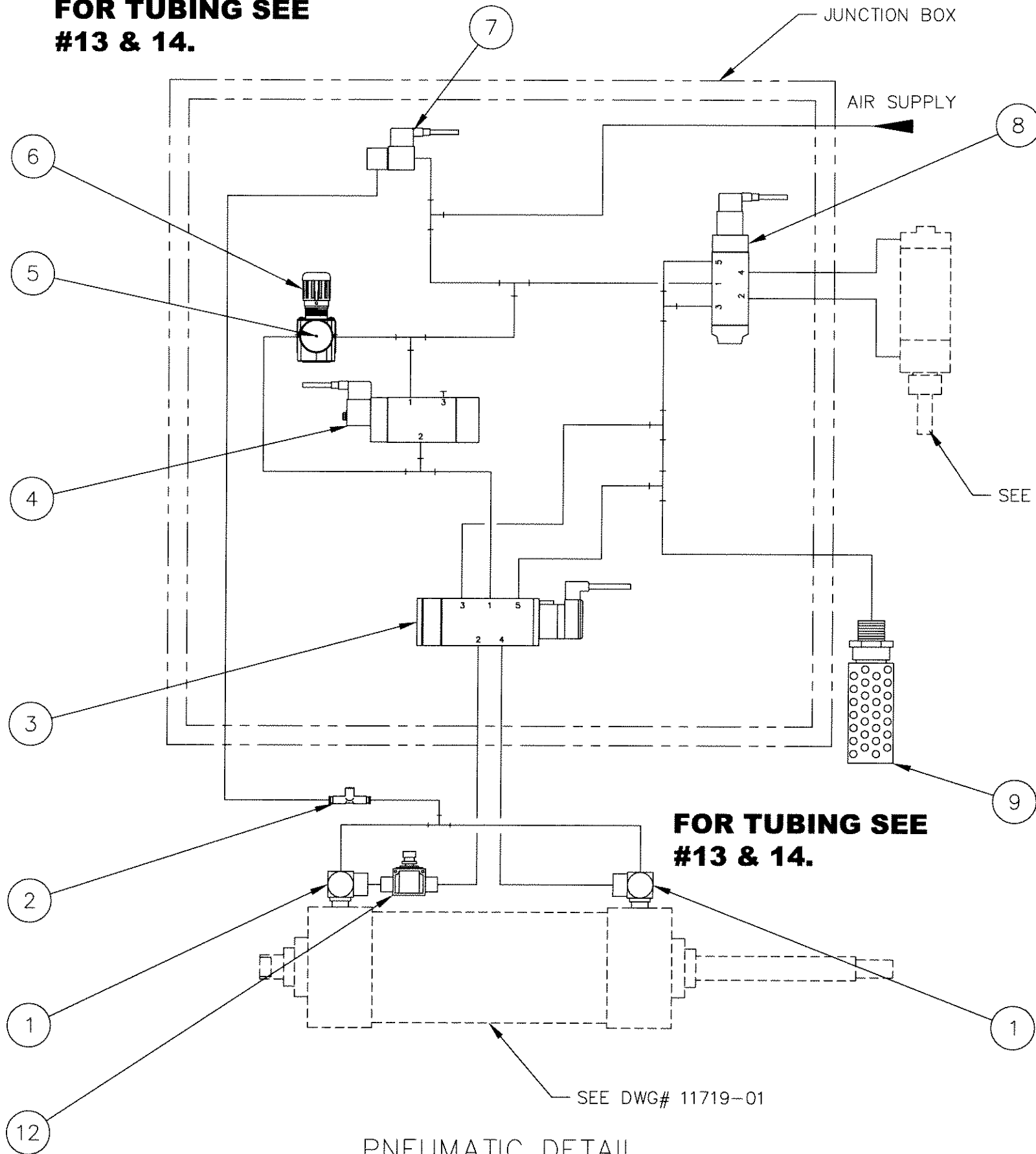
CHECKED BY:
 DRAWN BY: JES
 DATE: 11-18-05
 APPROVED BY:
 SCALE: NONE

AFF-950-FTP FOOD TRANSFER PUMP
 REPLACEMENT PARTS

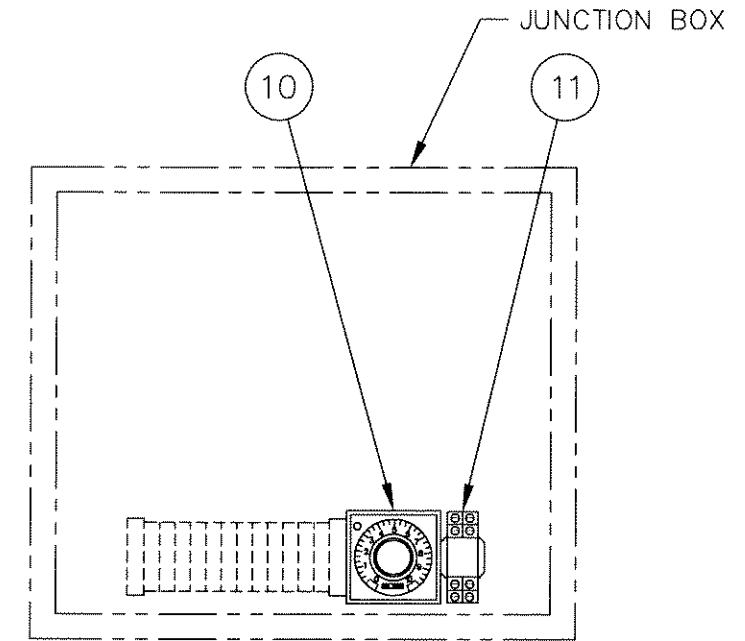
SIZE: C DRAWING NUMBER: 11719-02
 REV. SHEET: 1 of 1

This drawing and all information contained therein is the property of J.C.Pardo & Sons, Inc., Balto, MD. The drawing and all information is confidential and must not be made public or copied. It is loaned subject to return upon demand and is not to be used directly or indirectly in any way detrimental to J.C.Pardo & Sons.

**FOR TUBING SEE
#13 & 14.**



PNEUMATIC DETAIL



ELECTRICAL DETAIL

SEE DWG# 11719-02

* CUSTOMER TO SPECIFY LENGTHS.
TUBING SOLD IN FOOT INCREMENTS

*14	ARP00-1500002	4MM TUBING
*13	ARP00-5000001	1/2" TUBING
12	AR8VA-0000012	FLOW CONTROL VALVE
11	ELPSW-0000021	RELAY
-	ELPSW-0000003	BASE FOR ITEM #11
10	EL8CO-0000083	TIMER
-	ELP00-0000042	BASE FOR ITEM #10
9	AR800-7500004	AIR MUFFLER
8	AR8VA-0000007	AIR SOLENOID, 4 WAY
-	ELP00-0000058	DIN CONNECTOR FOR ITEM #8
-	SP988-8800042	REPLACEMENT COIL FOR ITEM #8
7	AR8VA-0000008	AIR SOLENOID
-	ELP00-0000060	DIN CONNECTOR FOR ITEM #7
-	SP988-8800043	REPLACEMENT COIL FOR ITEM #7
6	AR800-3700002	AIR REGULATOR
5	AR800-2500002	GAUGE FOR ITEM #6
4	AR8VA-0000009	AIR SOLENOID, 2 WAY
-	ELP00-0000058	DIN CONNECTOR FOR ITEM #4
-	SP988-8800044	REPLACEMENT COIL FOR ITEM #4
3	AR8VA-0000010	AIR SOLENOID, 4 WAY
-	ELP00-0000059	DIN CONNECTOR FOR ITEM #3
-	SP988-8800045	REPLACEMENT COIL FOR ITEM #3
2	AR800-0000024	MINI QUICK EXHAUST
1	AR8VA-0000011	BLOCKING VALVE
ITEM	PART NO.	DESCRIPTION

REPLACEMENT PARTS LIST

REV.	DESCRIPTION	BY	DATE
	REVISIONS		

J.C.PARDO & SONS INC.
 1250 REAMES RD. BALTO MD. 21220
 PHONE (410) 391-3600 FAX (410) 391-9042

CHECKED BY: _____
 DRAWN BY: JES
 DATE: 11-18-05
 APPROVED BY: _____
 SCALE: NONE

**AFF-950-FTP FOOD TRANSFER PUMP
REPLACEMENT PARTS**

SIZE: C DRAWING NUMBER: 11719-03
 REV. SHEET: 1 of 1

This drawing and all information contained therein is the property of J.C.Pardo & Sons Inc. Balto MD. The drawing and all information is confidential and must not be made public or copied. It is loaned subject to return upon demand and is not to be used directly or indirectly in any way detrimental to J.C.Pardo & Sons.