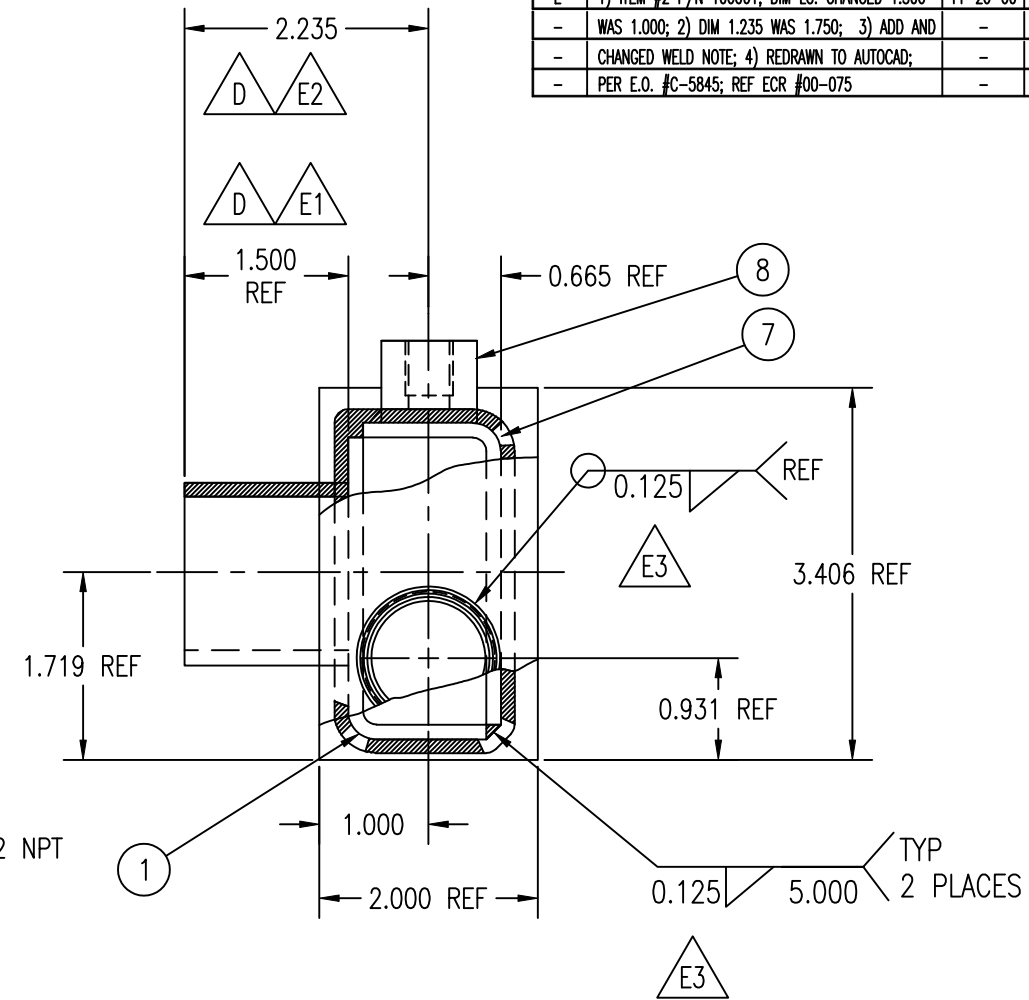
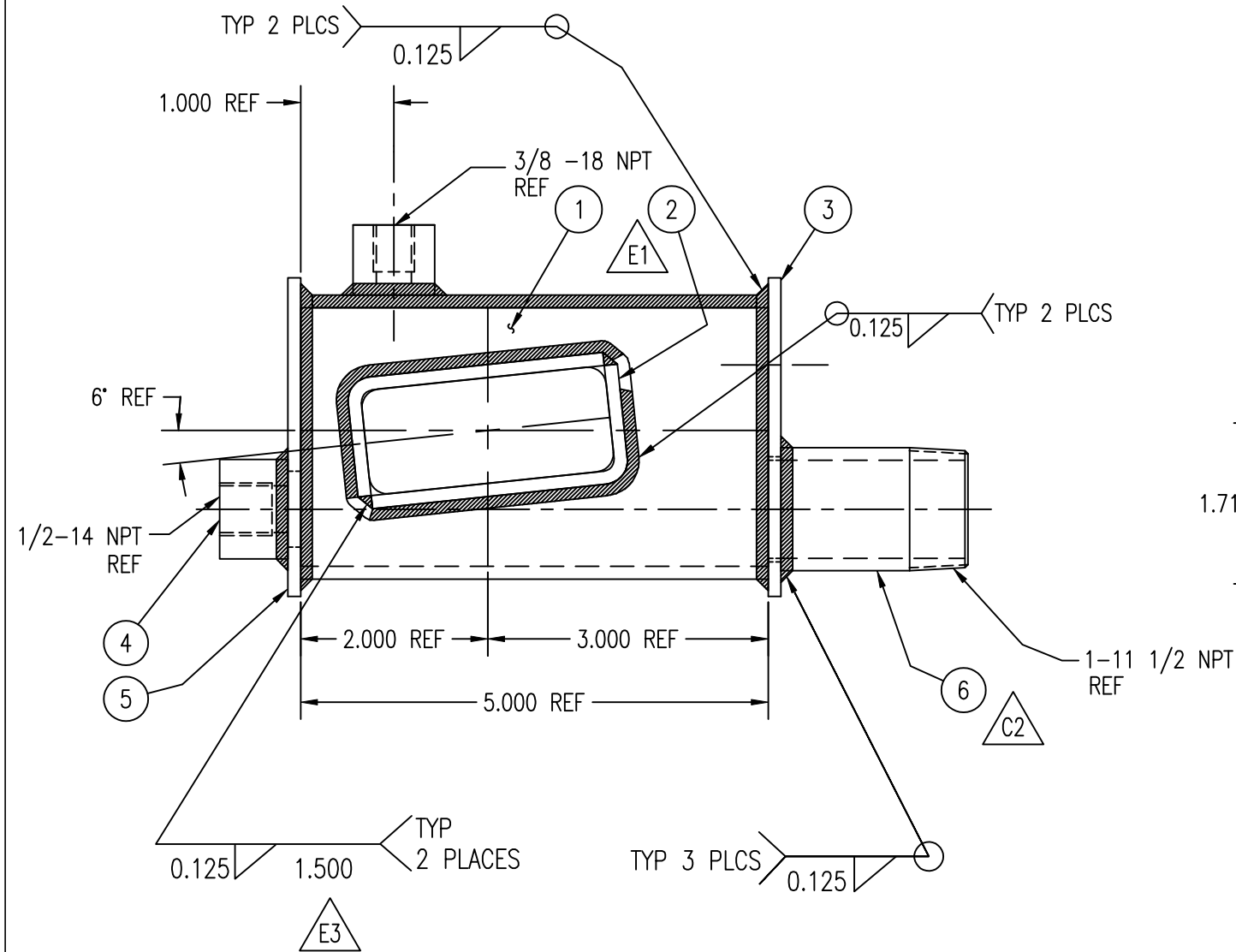


NOTE: ALL WELDS ARE TO BE WATERTIGHT



LET.	REVISIONS	DATE	BY
B	REV & REDRAWN	11-22-85	B.G.
C	1) ADD ITEM 8, 2) ITEM 6 WAS A-03634 ECO #123		
D	1.75 REF WAS 1.500, 1.00 REF WAS .750	11-29-90	EJK
-	REDRAWN TO AUTOCAD, CHANGED WELD SYMBOLS	9-16-98	JPM
E	1) ITEM #2 P/N 100061, DIM LG. CHANGED 1.500	11-20-00	DFZ
-	WAS 1.000; 2) DIM 1.235 WAS 1.750; 3) ADD AND	-	-
-	CHANGED WELD NOTE; 4) REDRAWN TO AUTOCAD;	-	-
-	PER E.O. #C-5845; REF ECR #00-075	-	-

ITEM	QTY	PART NO.	DESCRIPTION
8	1	03619	COUPLING, HALF, 3/8 NPT, SST
7	1	100065	ANGLE, DRAIN BODY
6	1	101925	NIPPLE, DRAIN MANIFOLD
5	1	100063	PLATE, SPRAY MTC
4	1	03620	COUPLING (HALF) 1/2 NPT, SST
3	1	100062	PLATE, OUTLET
2	2	100061	ANGLE, DRAIN TUBE
1	1	100060	ANGLE, HOLE/DRAIN BODY

TOLERANCES (EXCEPT AS NOTED)		CLEVELAND RANGE INC. 1333 East 179th St. Cleveland, Ohio 44110-2574	
DECIMAL ±.030	SCALE 1=1	DRAWN BY J.J.C	APPROVED BY
ANGULAR ±1°	TITLE DRAIN MANIFOLD WELD T PCS-PCL HINGED LEFT		
AC	DATE 9-19-85	DRAWING NO. C- 42756	REV E

NEXT ASS'Y. 100096

THIS DESIGN DESCRIBES A PROPRIETARY ITEM AND IS THE PROPERTY OF CLEVELAND RANGE.
THIS DRAWING IS NOT TO BE COPIED OR USED WITHOUT THE APPROVAL OF CLEVELAND RANGE