

## MODULAR BASE WITH KETTLES

300M BTU GAS-FIRED STEAM GENERATOR WITH NICKELGUARD™, ONE 3 GALLON KETTLE AND ONE 6 GALLON KETTLE, CABINET BASE: 36" (900MM) WIDE,

Project \_\_\_\_\_  
 Item \_\_\_\_\_  
 Quantity \_\_\_\_\_  
 FCSI Section 11400 \_\_\_\_\_  
 Approved \_\_\_\_\_  
 Date \_\_\_\_\_

### Models

- 36-GM-K36-300



### Standard Features

- Factory assembled Kettle/Steam Generator NickelGard Base combination with one 3 gallon and one 6 gallon kettle with 200M BTU Gas-Fired Steam Generator
- Solid State steam generator Water Level Controls
- Low Water Safety Cut-Off
- Pressure Limit Controls with 15 psi Safety Valve
- Type 430 Stainless Steel exterior enclosure, and table top (with Drain Trough which has 1.50" diameter male drain), #4 exterior finish
- Type 304 Stainless kettle(s), #4 exterior finish
- Separate "Start/Reset" Illuminated Switch Controls, plus Pressure Gauge
- Solid State Electronic Spark Ignition for energy savings
- Major components serviceable from the front of the unit
- Kettle(s) are 2/3 Steam Jacket rating, and include Lift-off Covers
- Hot and Cold Water Faucet with Swing Spout
- Kettle(s) have 50 psi Steam Jacket Rating, 50 psi chrome plated Safety Valve(s) and Manual Tilting, balanced design
- Tilt Handles can be mounted on either side
- Steam Generator empties under pressure (blowdown) automatically upon each Shut-Down. Automatic Water Refill on Start-Up
- Standard voltage for controls is 115 volt, 60 Hz, single phase
- Adjustable Flanged Feet (FF-A)
- Secondary Low Water Cut-Off, factory installed (CALG) (Required for AZ. AR. CA. CO. CT. DE. FL. GA. HI. IL. IA. KS. MD. MA. MI. MN. MT. NE. NV. NM. NC. OK. OR. PR. RI. TN. UT. VA. WA. WV., Buffalo, NY, Wash. DC)
- Stainless Steel Base Frame (FSS)

### Short Form Specifications

Shall be CLEVELAND, Modular Cabinet Base with one 3 gallon and one 6 gallon kettle, Model 36-GM-K36-300, 300M Nickelguard™ BTU Gas-Fired Steam Generator, type 430 Stainless Steel exterior enclosure, Table Top, Back Splash and 4 level adjustable feet. 2/3 Steam Jacketed type 304 Stainless Steel kettle(s) with 50 psi Steam Jacket Rating; needle type Steam Control Valve on each kettle. Console mounted Controls, Pressure Gauge and Illuminated "Start/Reset" Control Switches. Solid State Water Level Steam Generator Controls and Electronic Spark Ignition. Steam Generator drains under pressure (blowdown) after each Shut-Down with Automatic Water Refill on Start-Up. 15 psi Safety Valve.

### Options & Accessories

- Power Take-Off Kit (GPTO)
- Gas, other than natural
- Type 316 Stainless Steel kettle interior for high acid food products (316)
- Food Strainers (FS)
- 300,000 BTU Gas-Fired Boiler with Nickelguard™
- Boiler Descaling Pump Kit (107142)

KE004046-119

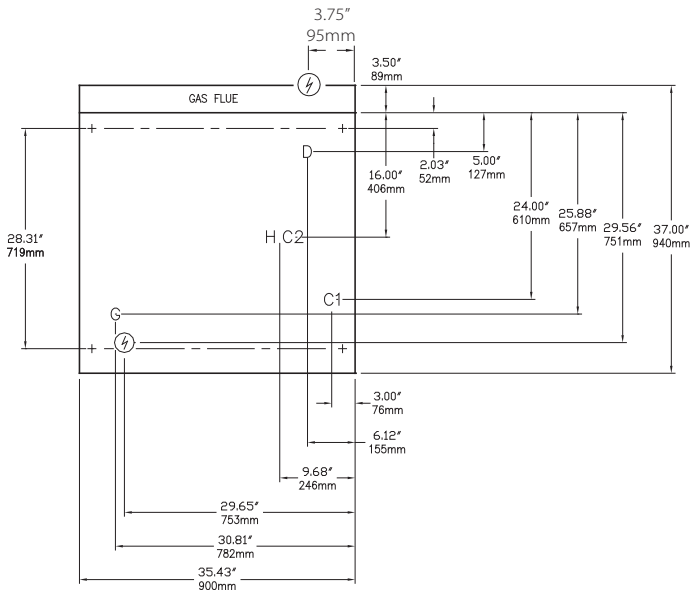
**CAPACITIES**

 (in 4 oz. servings)  
 (Other sizes may be calculated.)

 3 gallon / 11 liters ..... 48 per kettle  
 6 gallon / 23 liters ..... 160 per kettle

**WATER QUALITY REQUIREMENTS  
(Boilers, Generators)**

TTDS:	50-250 ppm
Hardness:	50 - 200 mm (3 - 12 gpg)
pH value:	7.0 - 8.5
CL (Chloride):	max 50 ppm
Cl <sub>2</sub> (free chlorine):	max 0.1 ppm
SiO <sub>2</sub> (silica):	max 13 ppm
NH <sub>2</sub> Cl: (mono-chloramine)	max 0.1 ppm
Total Alkalinity:	50 - 100 ppm
Water Pressure	35 - 80 PSI
Temperature:	max 104°F


**CLEARANCE**

 RIGHT = 6.00"  
 LEFT = 6.00"  
 REAR = 6.00"

For use in only non-combustible locations

**UTILITY CONNECTIONS**

G Gas Supply:

PIPING: 3/4" IPS for 220,000 BTU or less.

NATURAL	PROPANE
Supply pressure: 4.00" W.C. minimum 14.00" W.C. maximum	Supply pressure: 12.00" W.C. minimum 14.00" W.C. maximum
Manufacturer must be notified if unit will be used above 2,000 ft. altitude.	

Electrical Supply:

25 watt Steam Generator Control.

\*\* Do not connect to GFI outlet. See note below.

 C1 1/4" IPS Cold Water Inlet  
 35 psi minimum  
 60 psi maximum

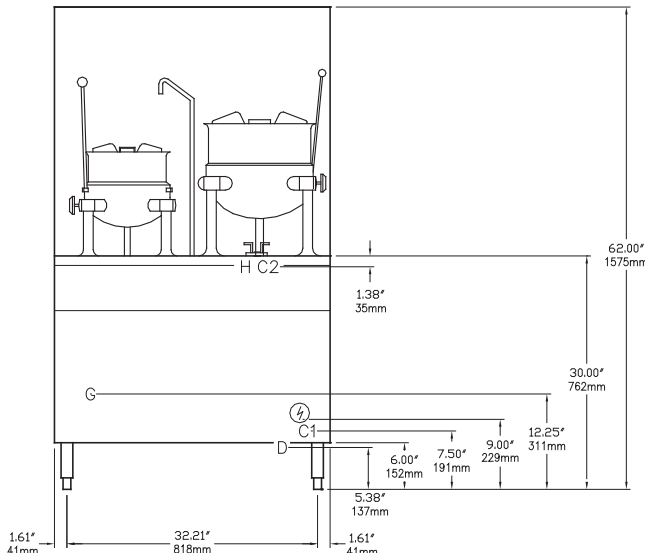
C2 3/8" IPS Cold Water for kettles

H 3/8" IPS Hot Water for kettles

D 1 1/2" IPS common drain

The Floor Drain must be located outside the confines of the equipment base.

Do not connect any other units to this drain.


**NOTES:**

\*\*DO NOT CONNECT TO GFI OUTLET. CLEVELAND RANGE RECOMMENDS GAS FIRED 120 VOLT STEAMERS BE HARD WIRED DIRECTLY TO ELECTRICAL SYSTEM.

Cleveland Range reserves right of design improvement or modification, as warranted.

Many regional, state and local codes exist and it is the responsibility of the owner and installer to comply with the codes.

Cleveland Range equipment is built to comply with applicable standards for manufacturers. Included among those approval agencies are ASME/N. Bd, UL/NSF#4 and CSA (AGA, CGA).

(NOT TO SCALE)