

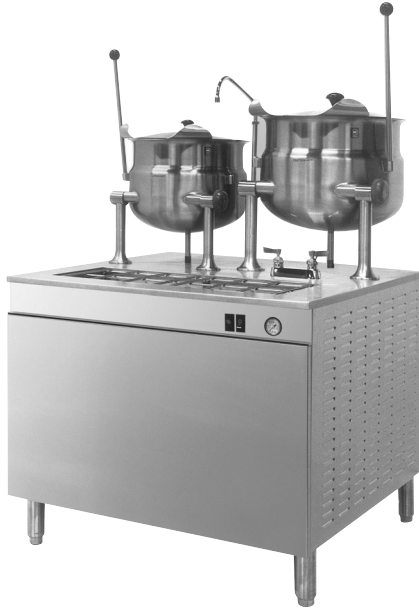
MODULAR BASE WITH KETTLES

24 KW ELECTRIC STEAM GENERATOR,
ONE 3 GALLON KETTLE AND ONE 6 GALLON KETTLE,
CABINET BASE: 36" (900MM) WIDE

Project _____
Item _____
Quantity _____
FCSI Section 11400 _____
Approved _____
Date _____

Models

- 36-EM-K36



Standard Features

- Factory assembled Kettles / Steam Generator Base combination with one 3 gallon and one 6 gallon kettle with 24 KW Electric Steam Generator
- Solid State steam generator Water Level Controls
- Low Water Safety Cut-off
- Pressure Limit Controls with 15 psi Safety Valve
- Type 430 Stainless Steel exterior enclosure, and table top (with Drain Trough which has 1.50" diameter male drain), #4 exterior finish
- Type 304 Stainless kettle(s), #4 exterior finish
- Separate Start/Rest Illuminated Switch Controls, plus Pressure Gauge
- Major components serviceable from the front of the unit
- Kettle(s) are 2/3 Steam Jacket rating, and include Lift-off Covers
- Hot and Cold Water Faucet with Swing Spout
- Kettle(s) have 50 psi chrome plated Safety Valve(s) and Manual Tilting balanced design
- Tilt Handles can be mounted on either side
- Steam Generator empties under pressure (blowdown) automatically upon each Shut-Down. Automatic Water Refill on Start-Up
- "Clear access" Lift-Off Front Panel
- Standard voltage is 208volt, 60 Hz, 3 Phase, 3 Wire
- Secondary Low Water Cut-Off, factory installed (CALE)
(Required for AZ. AR. CA. CO. CT. DE. FL. GA. HI. IL. IA. KS. MD. MA. MI. MN. MT. NE. NV. NM. NC. OK. OR. PR. RI. TN. UT. VA. WA. WV., Buffalo, NY, Wash. DC)
- Stainless Steel Base Frame (FSS)

Short Form Specifications

Shall be CLEVELAND, Modular Cabinet Base with one 3 gallon and one 6 gallon kettle, Model 36-EM-K36, with 24 KW Electric Steam Generator; type 430 Stainless Steel exterior enclosure, table top and 4 level adjustable feet. 2/3 Steam Jacketed, type 304 Stainless Steel kettle(s) with 50 psi Steam Jacket Rating; needle type Steam Control Valve on each kettle. Console mounted Controls, Pressure Gauge and Illuminated "Start/Reset" Control Switches. Solid State Water Level Steam Generator Controls. Steam Generator drains under pressure (blowdown) after each Shut-Down with Automatic Water Refill on Start-Up. 15 psi Safety Valve.

Options & Accessories

- Power Take-Off Kit (EPTO)
- Voltages other than standard
- Type 316 Stainless Steel kettle interior for high acid food products (316)
- Food Strainers (FS)
- Boiler Descaling Pump Kit (107142)

KE004046-118

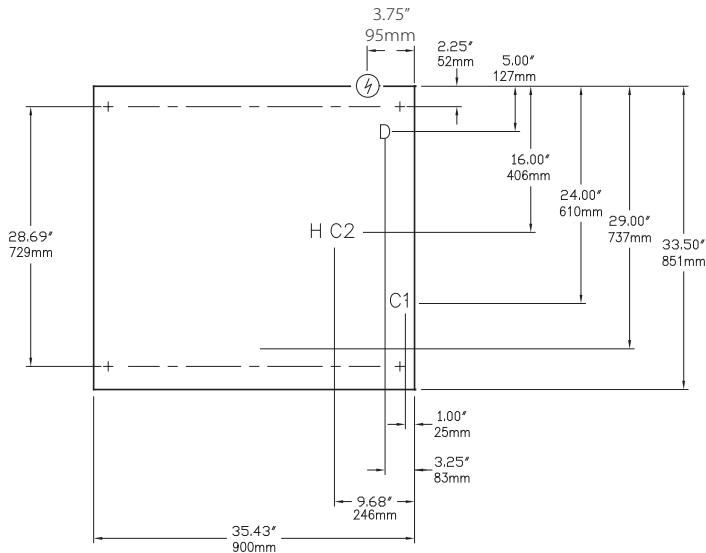
CAPACITIES

 (in 4 oz. servings)
 (Other sizes may be calculated.)

 3 gallon / 11 liters 48 per kettle
 6 gallon / 23 liters 160 per kettle

**WATER QUALITY REQUIREMENTS
(Boilers, Generators)**

TTDS:	50-250 ppm
Hardness:	50 - 200 mm (3 - 12 gpg)
pH value:	7.0 - 8.5
CL (Chloride):	max 50 ppm
Cl ₂ (free chlorine):	max 0.1 ppm
SiO ₂ (silica):	max 13 ppm
NH ₂ Cl: (mono-chloramine)	max 0.1 ppm
Total Alkalinity:	50 - 100 ppm
Water Pressure	35 - 80 PSI
Temperature:	max 104°F


CLEARANCE

 RIGHT = 3.00"
 LEFT = 3.00"
 REAR = 3.00"

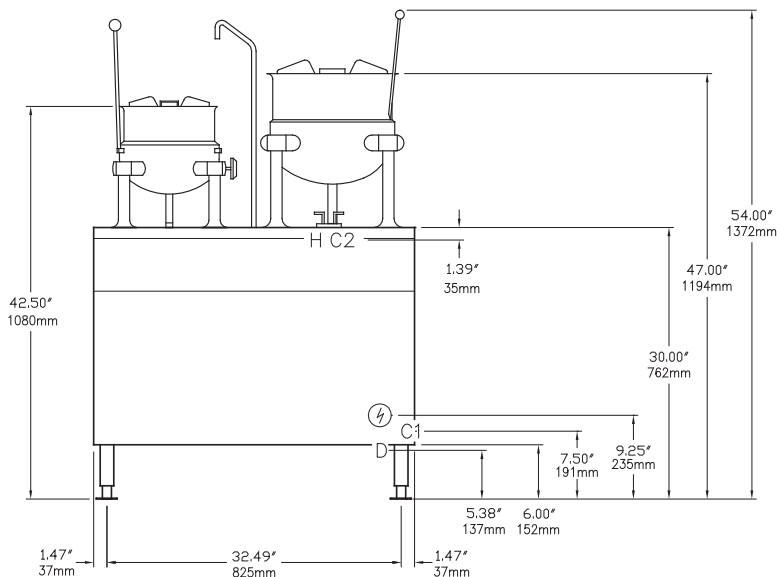
 Allow 6.00" minimum from rear and sides
 when located near combustible walls.

UTILITY CONNECTIONS

⚡ Electrical Supply:

		3 PHASE			
		KW	24	36	48
208V	AMPS PER LINE	57	100	119	
220V		63	80	127	
240V		52	87	116	
480V		26	44	58	

For Power Supply, use copper wire only.



C1 1/4" IPS Cold Water Inlet

 35 psi minimum
 60 psi maximum

C2 3/8" IPS Cold Water for kettles

H 3/8" IPS Hot Water for kettles

D 1 1/2" IPS common drain

 The Floor Drain must be located outside
 the confines of the equipment base.

Do not connect any other units to this drain.

NOTES:

 Cleveland Range reserves right of design improvement or modification, as warranted.
 Many regional, state and local codes exist and it is the responsibility of the owner and installer to comply with the codes.
 Cleveland Range equipment is built to comply with applicable standards for manufacturers. Included among those approval agencies are U.L./NSF#4 and CSA (AGA, CGA).

(NOT TO SCALE)