

# MODULAR BASE WITH KETTLES

300M BTU GAS-FIRED STEAM GENERATOR WITH NICKELGUARD™, TWO 10 GALLON KETTLES, CABINET BASE: 36" (900MM) WIDE

Project \_\_\_\_\_  
 Item \_\_\_\_\_  
 Quantity \_\_\_\_\_  
 FCSI Section 11400 \_\_\_\_\_  
 Approved \_\_\_\_\_  
 Date \_\_\_\_\_

## Models

- 36-GM-K1010-300



## Standard Features

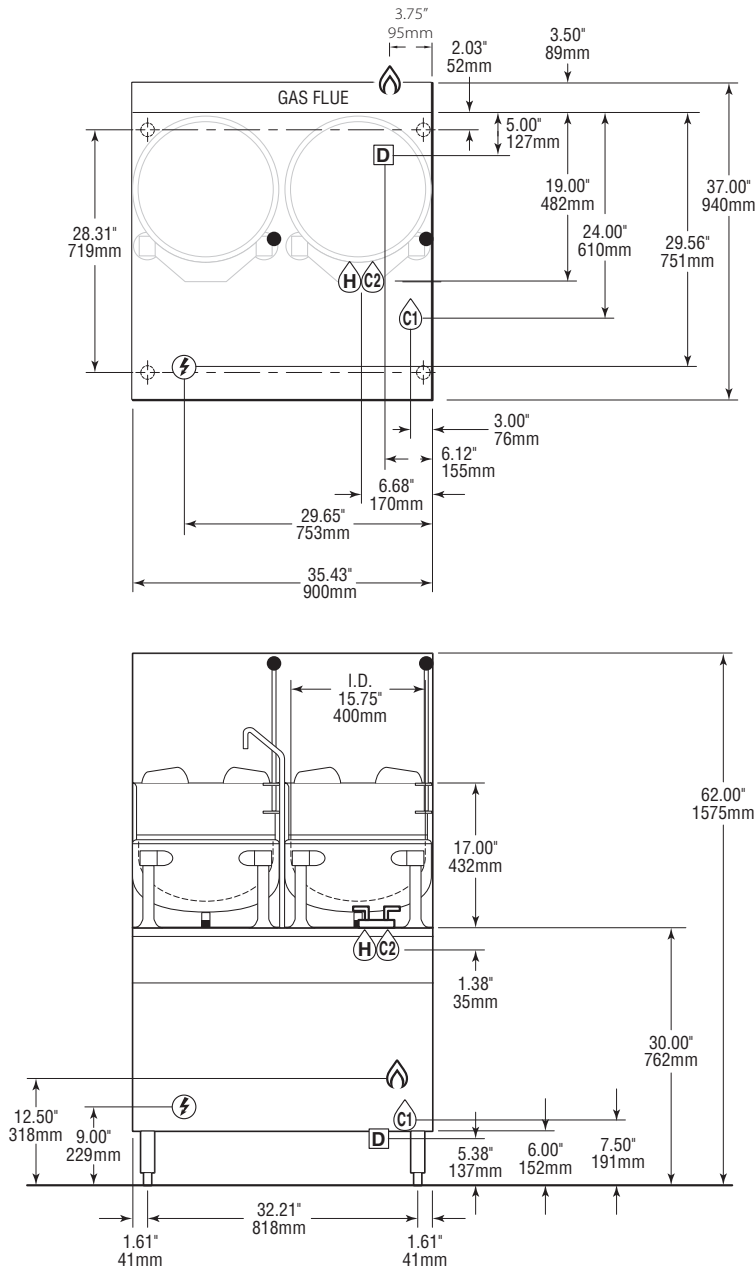
- Factory assembled Kettle/Steam Generator NickleGard Base combination with two 10 gallon kettles with 300M BTU Gas-Fired Steam Generator
- Solid State steam generator Water Level Controls
- Low Water Safety Cut-Off
- Pressure Limit Controls with 15 psi Safety Valve
- Type 430 Stainless Steel exterior enclosure, and table top (with Drain Trough which has 1.50" diameter male drain), #4 exterior finish
- Type 304 Stainless kettles, #4 exterior finish
- Separate "Start/Reset" Illuminated Switch Controls, plus Pressure Gauge
- Solid State Electronic Spark Ignition for energy savings
- Major components serviceable from the front of the unit
- 10 gallon kettles are 2/3 Steam Jacketed and include Lift-off Covers and Splash Guard
- Hot and Cold Water Faucet with Swing Spout
- Kettles have 50 psi Steam Jacket Rating, 50 psi chrome plated Safety Valves and Manual Tilting, balanced design
- Tilt Handles can be mounted on right side
- Steam Generator empties under pressure (blowdown) automatically upon each Shut-Down, Automatic Water Refill on Start-Up
- Standard voltage for controls is 115 volt, 60 Hz, single phase
- 6" Stainless Steel Legs with Adjustable Flanged Feet (FF-A)
- Secondary Low Water Cut-Off, factory installed (CALG) (Required for AZ. AR. CA. CO. CT. DE. FL. GA. HI. IL. IA. KS. MD. MA. MI. MN. MT. NE. NV. NM. NC. OK. OR. PR. RI. TN. UT. VA. WA. WV., Buffalo, NY, Wash. DC)
- Stainless Steel Base Frame (FSS)

## Short Form Specifications

Shall be CLEVELAND, Modular Cabinet Base with two 10 gallon kettles, Model 36-GM-K1010 -\_\_\_\_\_, 200M or 300M BTU Nickelguard™ Gas-Fired Steam Generator, type 430 Stainless Steel exterior enclosure, Table Top, Back Splash and 4 level adjustable feet. 2/3 Steam Jacketed type 304 Stainless Steel kettles with 50 psi Steam Jacket Rating. Console mounted Controls, Pressure Gauge and Illuminated "Start/Reset" Control Switches. Solid State Water Level Steam Generator Controls and Electronic Spark Ignition. Steam Generator drains under pressure (blowdown) after each Shut-Down with Automatic Water Refill on Start-Up. 15 psi Safety Valve

## Options & Accessories

- Power Take-Off Kit (GPTO)
- Gas, other than natural
- Type 316 Stainless Steel kettle interior for high acid food products (316)
- Food Strainers (FS)
- -Boiler Descaling Pump Kit (107142)


**NEW WATER QUALITY REQUIREMENTS  
(Boilers, Generators)**

TDS:	50-125 ppm
Hardness:	50 - 125 mm (3 - 6 gpg)
pH value:	7.0 - 8.5
CL (Chloride):	max 25 ppm
Cl <sub>2</sub> (free chlorine):	max 0.1 ppm
SiO <sub>4</sub> 2 (sulfate):	max 150 ppm
Fe (iron):	max 0.1 ppm
SiO <sub>2</sub> (silica):	max 13 ppm
NH <sub>2</sub> Cl: (mono-chloramine)	max 0.1 ppm
Total Alkalinity:	50 - 100 ppm
Water Pressure	35 - 80 PSI
Temperature:	max 104°F

**CAPACITIES:** (in 4 oz. servings,  
other sizes may be calculated.)  
10 Gallon / 36 liters . . . . .320 servings

**ELECTRIC** ⚡

50 watts for generator  
115 V-1 PH  
\*\* Do not connect to GFI outlet. See note below.

**WATER** 🚰

C1: 1/4" IPS Cold water for boiler  
C2: 3/8" NPT Cold water for faucet  
C2: 3/8" NPT Hot water for faucet

**DRAIN** 🚰

1 1/2" IPS Common Drain  
The floor drain must be located outside the confines of the equipment.  
Do not connect to any other drain.

**GAS** 🔥

NATURAL	PROPANE
3/4" IPS for 200,000	3/4" IPS for 200,000
1.00" IPS for 300,000	1.00" IPS for 300,000
Supply Pressure	Supply Pressure
4.00" W.C. Minimum	12.00" W.C. Minimum
14.00" W.C. Maximum	14.00" W.C. Maximum

**CLEARANCES**

Right: 6.00"  
Left: 6.00"  
Rear: 6.00"

**NOTES:**

Cleveland Range reserves right of design improvement or modification, as warranted.  
Many regional, state and local codes exist and it is the responsibility of the owner and installer to comply with the codes.  
Cleveland Range equipment is built to comply with applicable standards for manufacturers. Included among those approval agencies are U.L./NSF#4 and CSA (AGA, CGA).

(NOT TO SCALE)