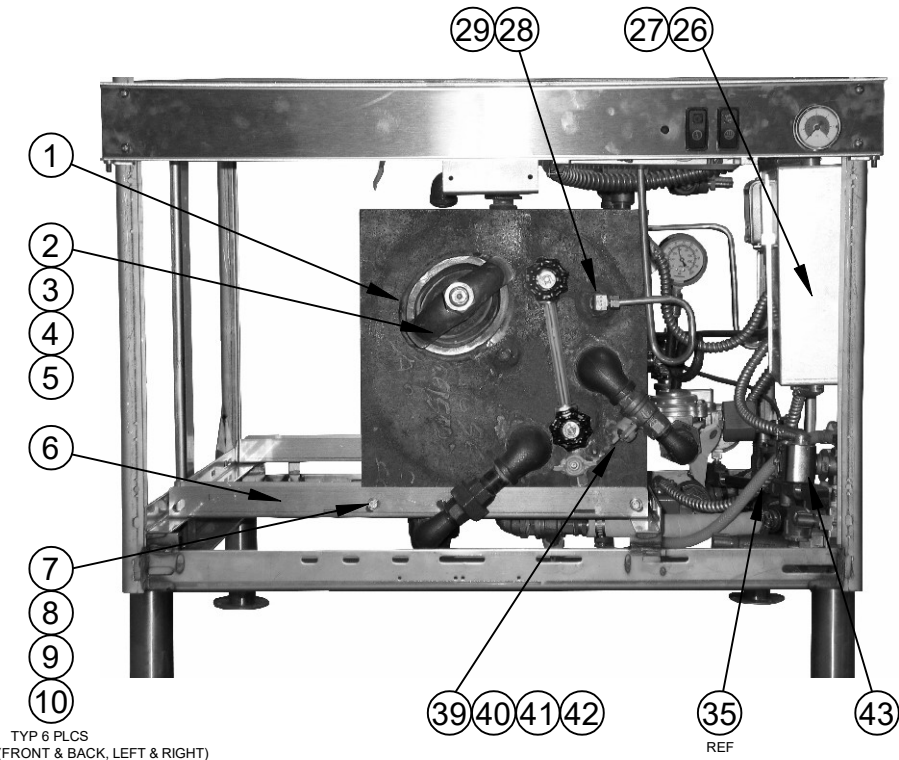
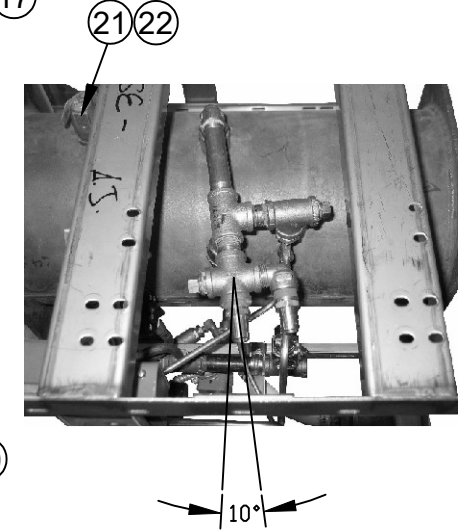
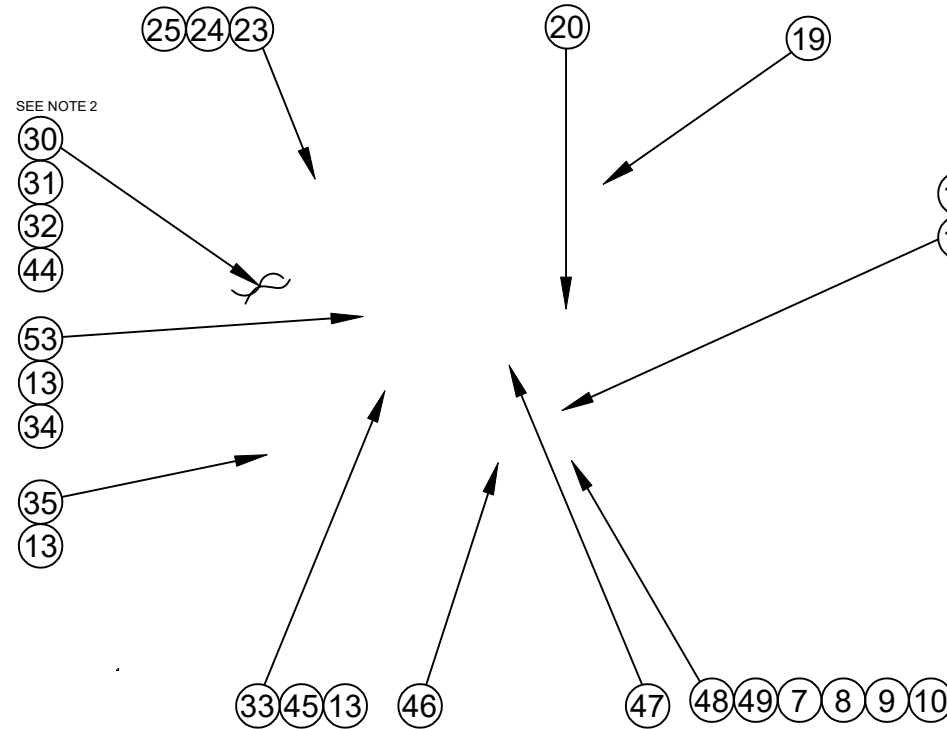


NOTES:

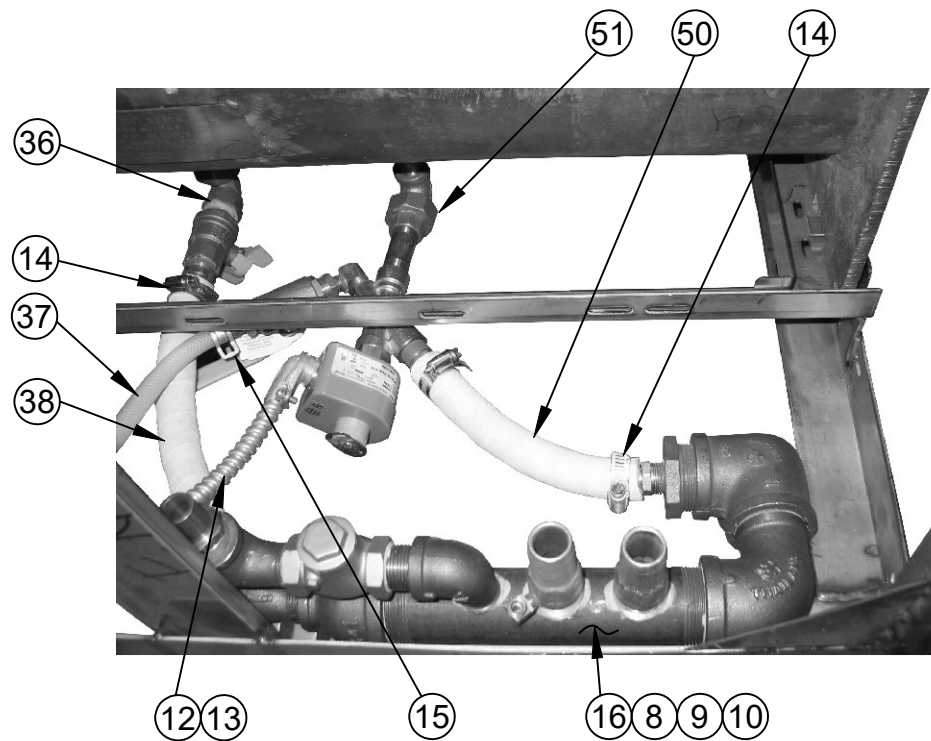
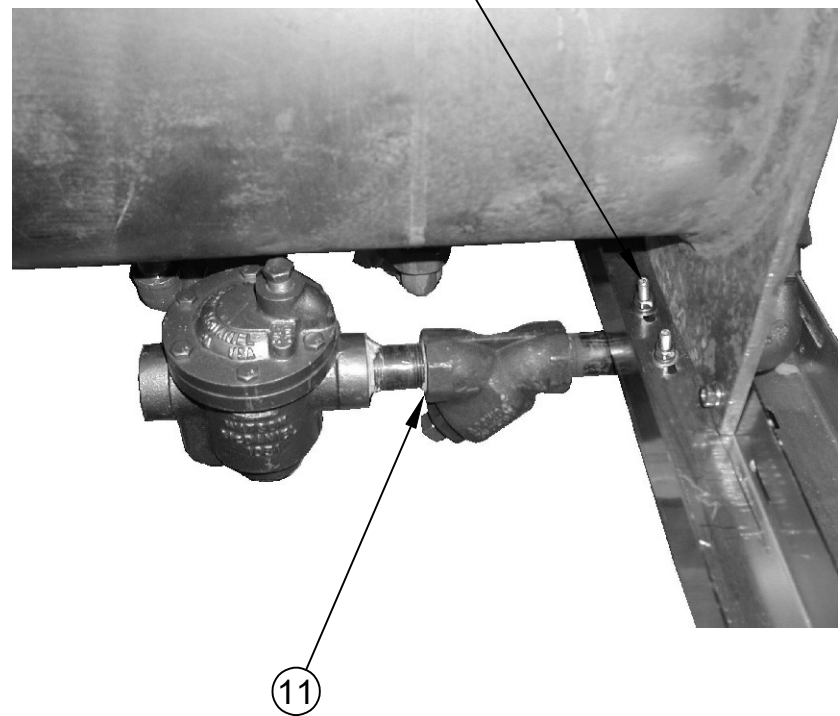
1. ALL PIPE THREADS REQUIRE THE USE OF PIPE DOPE.
2. INSERT BOLTS FROM RIGHT SIDE OF FRAME, WASHERS GO BETWEEN THE BRACKET AND THE ELECTRIC BOX.



TYP 6 PLCS  
(FRONT & BACK, LEFT & RIGHT)



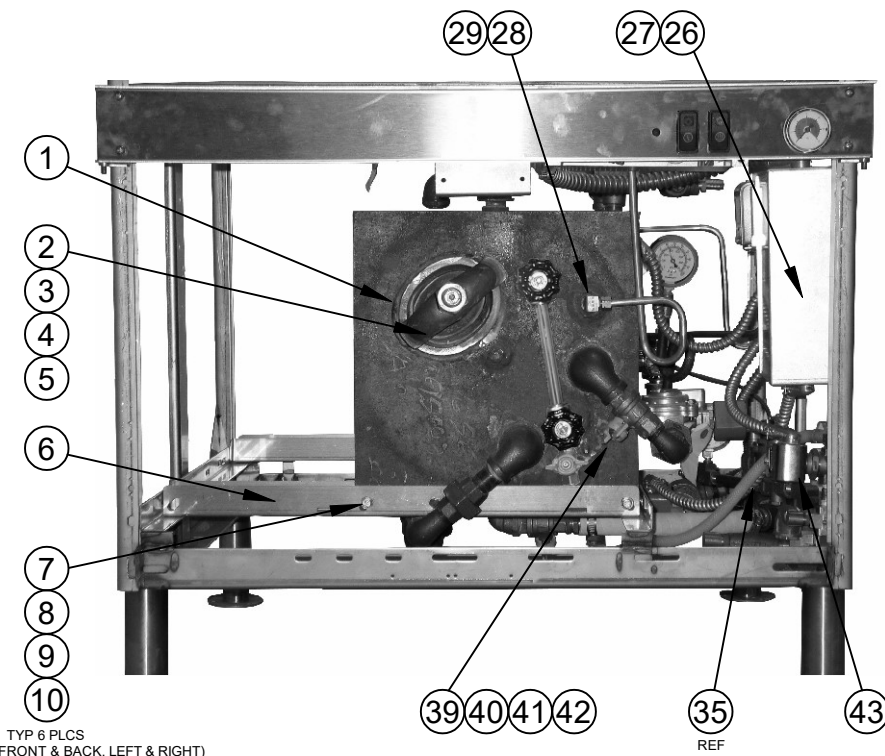
ITEM	QTY	PART NO.	DESCRIPTION
53	1	1052481300	CONDUIT, GREENFIELD, 3/8" x 13' L.G.
52	1	105970	BOLT, "U", 1/4-20, 3/4" PIPE
51	1	111303	AUTO BLOWDOWN ASSEMBLY
50	1	085110800	HOSE, WHITE EPDM, 3/4" ID x 8' L.G.
49	1	03197	CLAMP, ONE HOLE, 3/4"
48	1	111276	BRACKET, PIPING ASSEMBLY
47	1	1112975	TUBE, 3/8" OD, MANIFOLD TO OPERATING PRESSURE SWITCH
46	1	101723	STEAM INLET ASSEMBLY
45	1	106527	CONNECTOR, CONDUIT, 3/8" x 90°, THREADED
44	2	23137	WASHER, INTERNAL TOOTH, 1/4, SST
43	1	1113961	WATER INLET ASSEMBLY, 3/8CSM16
42	1	03276	VALVE, BALL, 1/4 NPT
41	1	07302	GAUGE, WATER, 5/8 x 6", GLASS
40	2	07108	GASKET, WATER GAUGE, FIBER
39	1	07178	1/2" WATER GAUGE SET
38	1	085111100	HOSE, WHITE EPDM, 3/4" ID x 11' L.G.
37	1	1058051500	HOSE, NYLON REINFORCED, 1/4" ID x 18' L.G.
36	1	111277	MANUAL BLOWDOWN ASSEMBLY
35	1	1052481600	CONDUIT, GREENFIELD, 3/8" x 18' L.G.
34	1	105245	CONNECTOR, CONDUIT, 3/8" x 90°, SNAP-IN
33	1	1052480750	CONDUIT, GREENFIELD, 3/8" x 7 1/2' L.G.
32	2	101873	NUT, 1/4-20 HEX LOCK, THIN
31	2	108232	SCREW, 1/4-20 x 1/2, HEX HEAD
30	1	300302	BOX, ELECTRIC, ASSEMBLY
29	1	1112951	TUBE, 3/8" OD, GENERATOR TO GAUGE
28	1	08217	FITTING, COMPRESSION, 3/8 T x 3/8 MPT, 90°
27	1	101281	SCREW, 10-24 x 1/2, PHILLIPS DRIVE, TRUSS HEAD
26	1	111275	COVER, ELECTRIC BOX
25	1	1052481800	CONDUIT, GREENFIELD, 1/2" x 18' L.G.
24	2	105560	BUSHING, ANTI SHORT, 1/2"
23	1	03393	CONNECTOR, CONDUIT, 1/2" x 90°, SNAP-IN
22	1	05256	ELBOW, STREET, 3/4 NPT, 90°
21	1	22131	VALVE, SAFETY, 15 PSI
20	1	1112865	TUBE, 3/8" OD, MANIFOLD TO HIGH LIMIT PRESSURE SWITCH
19	1	1113651	PIPING, STEAM OUTLET, 3/8CSM
18	1	14681	NUT, COMP. FITTING, 1/4 TUBE
17	1	007281425	TUBE, 1/4 DIA. x 14 1/4"
16	1	111364	DRAIN MANIFOLD ASSEMBLY
15	2	1073121	CLAMP, HOSE, 1/4 ID TENSION BAND
14	4	03204	CLAMP, WORM DRIVE
13	8	105561	BUSHING, ANTI SHORT, 3/8"
12	1	1052481700	CONDUIT, GREENFIELD, 3/8" x 17' L.G.
11	1	1017031	PIPING, STEAM OUTLET
10	11	14618	NUT, HEX, 1/4-20
9	11	23105	WASHER, LOCK, MEDIUM PATTERN
8	12	23116	WASHER, FLAT, 0.281 ID x 0.625 OD
7	8	18288	SCREW, 1/4-20 x 3/4, HEX HD.
6	2	899671	SUPPORT, GENERATOR MOUNTING
5	1	100333	NUT, HEX, HEAVY, 3/4-10 UNC-2B
4	1	100332	YOKE
3	1	100329	COVER, HAND HOLE
2	1	100330	GASKET, HAND HOLE
1	1	101927	STEAM COIL, ROUND, 2 PROBE



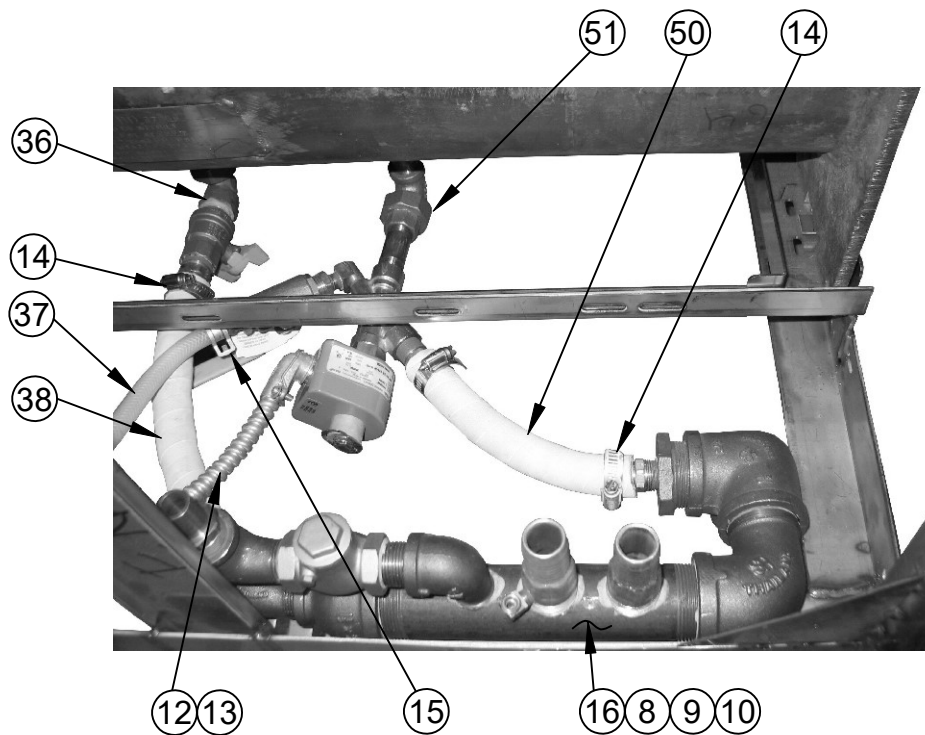
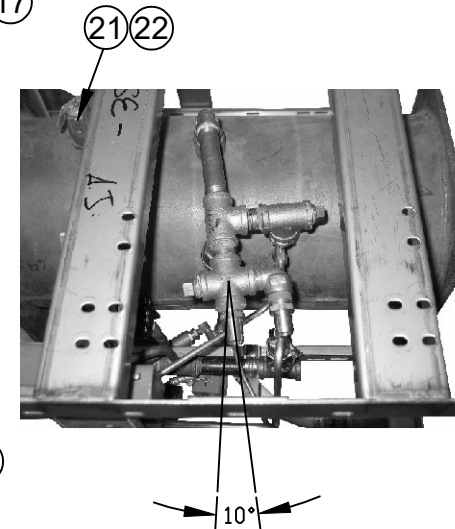
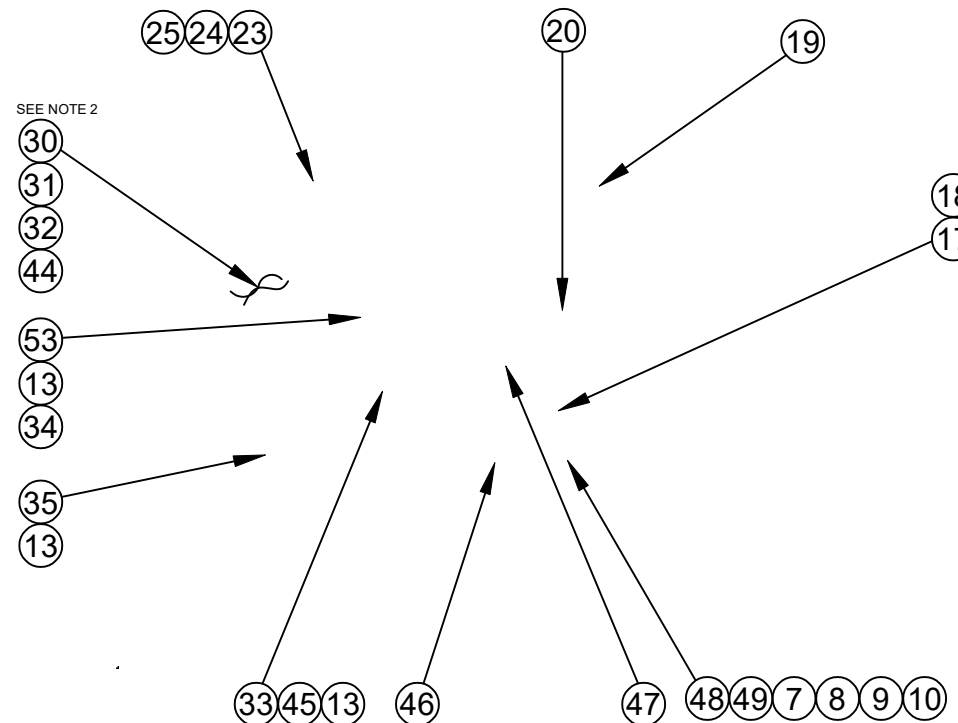
CLEVELAND RANGE, LLC			
1333 East 179th St., Cleveland, Ohio 44110-2574			
THIS DRAWING IS THE PROPERTY OF CLEVELAND RANGE. IT IS TO BE USED ONLY FOR THE PROJECT AND WITHOUT THE APPROVAL OF CLEVELAND RANGE.			
TOLERANCES (UNLESS OTHERWISE NOTED)	DO NOT SCALE PRINTED DRAWING	DRAWN BY EC	DATE 08-06-04
DECIMAL -	TITLE INSTRUCTION, 36PCSM LARGE STEAM COIL		
ANGULAR -	SIZE D	DRAWING NO. 260AXV.dwg	SHEET 1 OF 1 REV B



- NOTES:
1. ALL PIPE THREADS REQUIRE THE USE OF PIPE DOPE.
  2. INSERT BOLTS FROM RIGHT SIDE OF FRAME, WASHERS GO BETWEEN THE BRACKET AND THE ELECTRIC BOX.



TYP 6 PLCS  
(FRONT & BACK, LEFT & RIGHT)



LET.	REVISIONS	DATE	BY
A	PRODUCTION RELEASE, PER ECR 8894 R1	08-06-04	EC
B	1) ITEM 33 P/N 1052480750 QTY 1 WAS QTY 2, 2) ITEM 35 P/N 1052481800 WAS P/N 1052481200, 3) ADDED ITEM 53 P/N	2-1-06	IG
-	1052481300 QTY 1 PER ECR 8870 (REF ECR 06-015)	-	-

53	1	1052481300	CONDUIT, GREENFIELD, 3/8" x 1 1/2" L.G.
52	1	105970	BOLT, 1/4", 1 1/4-20, 3/4" PIPE
51	1	111303	AUTO BLOWDOWN ASSEMBLY
50	1	08511000	HOSE, WHITE EPDM, 3/4" ID x 8" L.G.
49	1	03197	CLAMP, ONE HOLE, 3/4"
48	1	111276	BRACKET, PIPING ASSEMBLY
47	1	1112975	TUBE, 3/8" OD, MANIFOLD TO OPERATING PRESSURE SWITCH
46	1	101723	STEAM INLET ASSEMBLY
45	1	106527	CONNECTOR, CONDUIT, 3/8" x 90°, THREADED
44	2	23137	WASHER, INTERNAL TOOTH, 1/4, SST
43	1	1115891	WATER INLET ASSEMBLY, 3/8CSM/16
42	1	03276	VALVE, BALL, 1/4 NPT
41	1	07302	GAUGE, WATER, 5/8 x 6", GLASS
40	2	07108	GASKET, WATER GAUGE, FIBER
39	1	07178	1/2" WATER GAUGE SET
38	1	08511100	HOSE, WHITE EPDM, 3/4" ID x 11 FT.LG.
37	1	1058901500	HOSE, NYLON REINFORCED, 1/4" ID x 15' L.G.
36	1	111277	MANUAL BLOWDOWN ASSEMBLY
35	1	1052481800	CONDUIT, GREENFIELD, 3/8" x 18" L.G.
34	1	105245	CONNECTOR, CONDUIT, 3/8" x 90°, SNAP-IN
33	1	1052480750	CONDUIT, GREENFIELD, 3/8" x 7' 1/2" L.G.
32	2	101873	NUT, 1/4-20 HEX LOCK, THIN
31	2	108232	SCREW, 1/4-20 x 1/2, HEX HEAD
30	1	300302	BOX, ELECTRIC, ASSEMBLY
29	1	1112951	TUBE, 3/8" OD, GENERATOR TO GAUGE
28	1	08217	FITTING, COMPRESSION, 3/8 T x 3/8 MFT, 90°
27	1	101231	SCREW, 10-24 x 1/2, PHILLIPS DRIVE, TRUSS HEAD
26	1	111275	COVER, ELECTRIC BOX
25	1	1052481800	CONDUIT, GREENFIELD, 1/2" x 18" L.G.
24	2	105560	BUSHING, ANTI SHORT, 1/2"
23	1	03383	CONNECTOR, CONDUIT, 1/2" x 90°, SNAP-IN
22	1	06269	ELBOW, STREET, 3/4 NPT, 90°
21	1	22131	VALVE, SAFETY, 15 PSI
20	1	1112965	TUBE, 3/8" OD, MANIFOLD TO HIGH LIMIT PRESSURE SWITCH
19	1	1113651	PIPING, STEAM OUTLET, 3/8PCSM
18	1	14661	NUT, COMP. FITTING, 1/4 TUBE
17	1	007281425	TUBE, 1/4 DIA. x 14 1/4"
16	1	111384	DRAIN MANIFOLD ASSEMBLY
15	2	1073121	CLAMP, HOSE, 1/4 ID TENSION BAND
14	4	03204	CLAMP, WORM DRIVE
13	8	105561	BUSHING, ANTI SHORT, 3/8"
12	1	1052481700	CONDUIT, GREENFIELD, 3/8" x 17" L.G.
11	1	1017031	PIPING, STEAM OUTLET
10	11	14618	NUT, HEX, 1/4-20
9	11	23105	WASHER, LOCK, MEDIUM PATTERN
8	12	23116	WASHER, FLAT, 0.281 ID x 0.625 OD
7	8	18288	SCREW, 1/4-20 x 3/4, HEX HD.
6	2	699671	SUPPORT, GENERATOR MOUNTING
5	1	100333	NUT, HEX, HEAVY, 3/4-10 UNC-2B
4	1	100332	YOKE
3	1	100329	COVER, HAND HOLE
2	1	100330	GASKET, HAND HOLE
1	1	101927	STEAM COIL, ROUND, 2 PROBE

CLEVELAND RANGE, LLC

1333 East 179th St., Cleveland, Ohio 44110-2574

THIS DRAWING IS THE PROPERTY OF CLEVELAND RANGE, LLC. IT IS TO BE USED ONLY FOR THE PROJECT AND SITE SPECIFICALLY IDENTIFIED IN THE TITLE. IT IS NOT TO BE REPRODUCED OR COPIED IN ANY MANNER WITHOUT THE WRITTEN APPROVAL OF CLEVELAND RANGE, LLC.

TOLERANCES UNLESS OTHERWISE NOTED	DO NOT SCALE PRINTED DRAWINGS	DRAWN BY	DATE
-	-	EC	08-06-04
DECIMAL		TITLE	
-		INSTRUCTION, 36PCSM LARGE STEAM COIL	
ANGULAR	SIZE	DRAWING NO.	SHEET 1 OF 1
-	D	260AXV.dwg	REV B