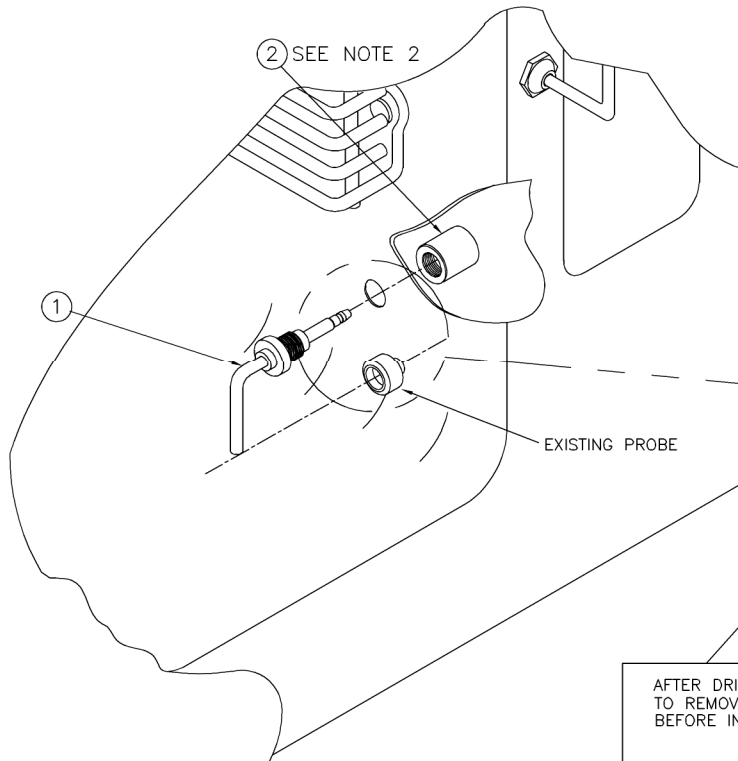


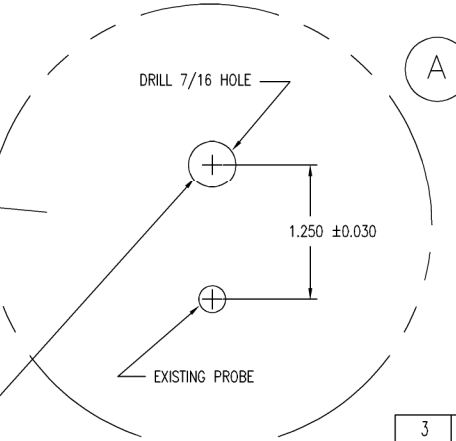
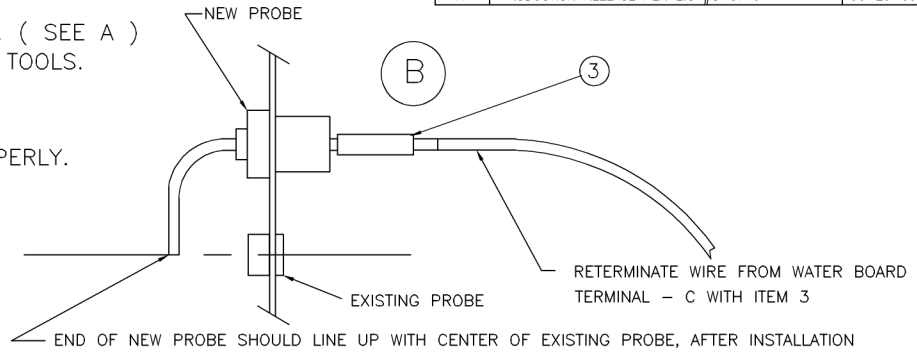
INSTRUCTIONS: SEE SPECIAL NOTES (FIGURE A)

- 1) LOCATE AND DRILL 7/16 HOLE AND DEBURR HOLE. (SEE A)
- 2) INSTALL NUT (ITEM 2) FINGER TIGHT. DO NOT USE TOOLS.
- 3) TERMINATE WIRE AND CONNECT. (SEE B)
- 4) SPLASH PAN MODIFICATION, SEE SHEET 2
- 5) TEST UNIT, THAT THE NEW PROBE FUNCTIONS PROPERLY.

LET.	REVISIONS	DATE	BY
A	PRODUCTION RELEASE PER E.O #C-5719	06-29-00	MRJ



FRONT VIEW
SHOWING BUSHING & PROBE ASSEMBLY



SPECIAL NOTE:
PROBE MOUNTING HOLE & SPLASH
PAN MODIFICATION, NOT REQUIRED
ON UNITS WITH SERIAL NUMBERS
AFTER (WC 69129-00F-01)

AFTER DRILLING 7/16 HOLE, DEBURR HOLE,
TO REMOVE BURRS & SHARP EDGES,
BEFORE INSTALLING NEW PROBE.

WARNING
DO NOT REMOVE EXISTING PROBE

SERVICE ONLY

ITEM	QTY	PART NO.	DESCRIPTION
3	1	102263	TERMINAL, BULLET, PUSH-ON, FEMALE, INSULATED
2	1	101316	PROBE NUT
1	1	109960	BUSHING & PROBE ASS'Y, STEAMCUB

TOLERANCES (EXCEPT AS NOTED)		CLEVELAND RANGE INC. 1333 East 179th St. Cleveland, Ohio 44110-2574	
DECIMAL ±0.030	SCALE NA	DRAWN BY M. JOHNSON	APPROVED BY
ANGULAR ±1°	TITLE INSTALLATION INSTRUCTION, KIT P/N 109157		
AC	DATE 6-28-00	DRAWING NO. B-260ATY SH 1 OF 2	REV A

THIS DESIGN DESCRIBES A PROPRIETARY ITEM AND IS THE PROPERTY OF CLEVELAND RANGE.
THIS DRAWING IS NOT TO BE COPIED OR USED WITHOUT THE APPROVAL OF CLEVELAND RANGE