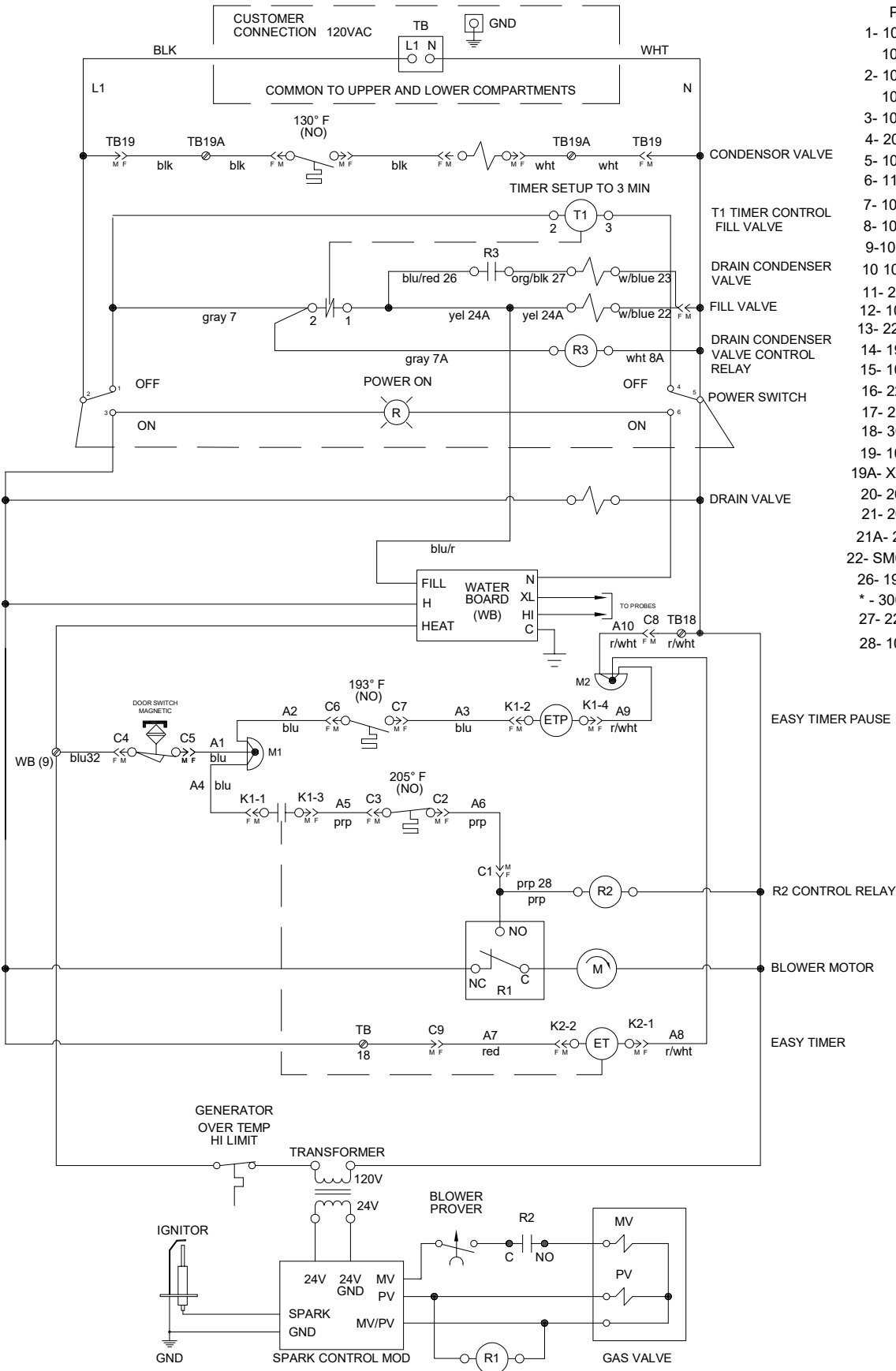


# GEMINI 10.2 ES EASY TIMER - GAS

## COMPONENT PARTS LIST

P/N	DESCRIPTION
1- 1057842	IGNITOR, NATURAL GAS
1057841	IGNITOR, PROPANE GAS
2- 109877	GAS VALVE, NATURAL
1098771	GAS VALVE, PROPANE
3- 105693	IGNITION CONTROL MODULE
4- 20528	SPARK IGNITION TRANSFORMER
5- 108995	HI LIMIT CAPILLARY SWITCH
6- 110786	BLOWER W/ SENSOR
7- 108285	24VAC RELAY
8- 105966	120VAC RELAY
9-107241	WATER LEVEL CONTROL BOARD
10 107239	LEVEL CONTROL PROBE
11- 20478	3 MINUTE INTERVAL TIMER
12- 105966	120VAC RELAY
13- 222231	DRAIN CONDENSER VALVE
14- 19993	POWER ON SWITCH (RED)
15- 108880	DOOR SWITCH - SCS
16- 22218	CONDENSER VALVE
17- 222231	FILL VALVE
18- 300154	TERMINAL BLOCK ASSEMBLY
19- 105990	TERMINAL BLOCK ASSEMBLY
19A- XXXXX	TERMINAL BLOCK ASSEMBLY
20- 20304	GROUND LUG
21- 20301	TERMINAL BLOCK SECTION (QTY. 2)
21A- 20302	TERMINAL BLOCK END
22- SM00100-3	IGNITOR CABLE ASSEMBLY
26- 19972	COMP. THERMOSTAT 193° F (NO.)
* - 300156	THERMOSTAT 198°F (HI ALTITUDE)
27- 22221	DRAIN VALVE SOLENOID
28- 109617	COMP. THERMOSTAT 205° F (NC.)



UPPER COMPARTMENT SHOWN  
DUPLICATE FOR LOWER COMPARTMENT