

Project _____
 Item _____
 Quantity _____
 FCSI Section 11400 _____
 Approved _____
 Date _____

MODULAR BASE WITH KETTLE

200M GAS-FIRED STEAM GENERATOR WITH NICKELGUARD™,
 ONE 10 GALLON KETTLE, CABINET BASE: 24" (600MM) WIDE

Models

- 24-GM-K10-200



Standard Features

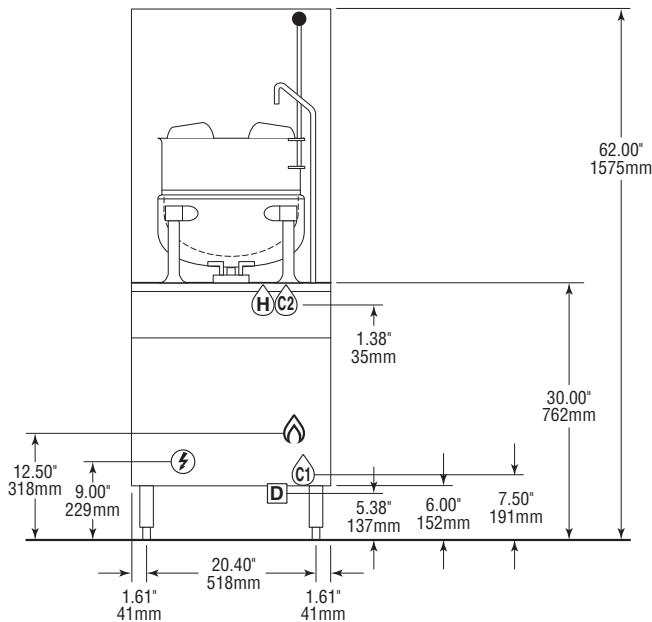
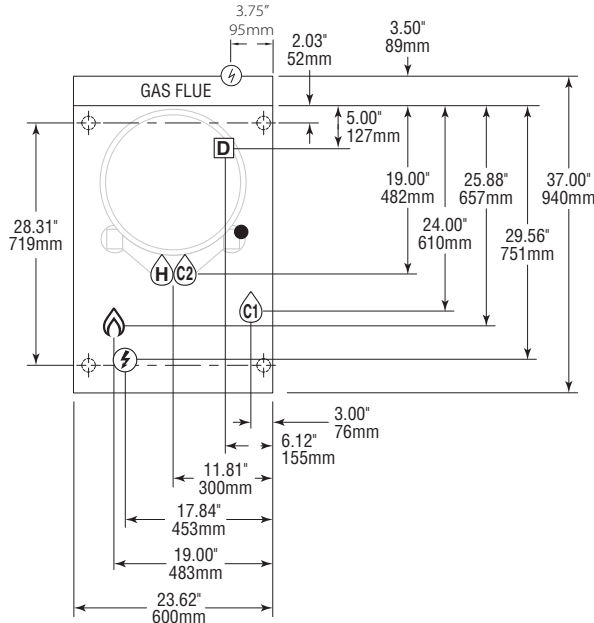
- Factory assembled Kettle/Steam Generator NickelGuard™ Base combination with one 10 gallon kettle with 200M BTU Gas-Fired Steam Generator
- Solid State steam generator Water Level Controls
- Low Water Safety Cut-Off
- Pressure Limit Controls with 15 psi Safety Valve
- Type 430 Stainless Steel exterior enclosure, and type 304 Stainless Steel table top (with Drain Trough which has 1.50" diameter male drain), #4 exterior finish
- Type 304 Stainless kettles, #4 exterior finish
- Separate "Start/Reset" Illuminated Switch Controls, plus Pressure Gauge
- Solid State Electronic Spark Ignition for energy savings
- Major components serviceable from the front of the unit
- 10 gallon kettle is 2/3 Steam Jacketed and includes a Lift-off Cover and Splash Guard
- Hot and Cold Water Faucet with Swing Spout
- Kettle has a 50 psi Steam Jacket Rating, 50 psi chrome plated Safety Valve and Manual Tilting, balanced design
- Tilt Handle can be mounted on right side
- Steam Generator empties under pressure (blowdown) automatically upon each Shut-Down, Automatic Water Refill on Start-Up
- Standard voltage for controls is 115 volt, 60 Hz, single phase
- 6" Stainless Steel Legs with Adjustable Flanged Feet (FF-A)
- Secondary Low Water Cut-Off, factory installed (CALG) (Required for AZ. AR. CA. CO. CT. DE. FL. GA. HI. IL. IA. KS. MD. MA. MI. MN. MT. NE. NV. NM. NC. OK. OR. PR. RI. TN. UT. VA. WA. WV., Buffalo, NY, Wash. DC)
- Stainless Steel Base Frame (FSS)

Short Form Specifications

Shall be CLEVELAND, Modular Cabinet Base with one 10 gallon kettle, Model 24-GM-K10-200, 200M BTU Nickelguard™ Gas-Fired Steam Generator, type 430 Stainless Steel exterior enclosure, type 304 Stainless Steel Table Top, Back Splash and 4 level adjustable feet. 2/3 Steam Jacketed type 304 Stainless Steel kettle with 50 psi Steam Jacket Rating. Console mounted Controls, Pressure Gauge and Illuminated "Start/Reset" Control Switches. Solid State Water Level Steam Generator Controls and Electronic Spark Ignition. Steam Generator drains under pressure (blowdown) after each Shut-Down with Automatic Water Refill on Start-Up. 15 psi Safety Valve

Options & Accessories

- Power Take-Off Kit (GPTO)
- Gas, other than natural
- Type 316 Stainless Steel kettle interior for high acid food products (316)
- Food Strainer (FS)
- Boiler Descaling Pump Kit (107142)



GAS

NATURAL

3/4" IPS for 200,000
 1.00" IPS for 300,000
 Supply Pressure
 4.00" W.C. Minimum
 14.00" W.C. Maximum

PROPANE

3/4" IPS for 200,000
 1.00" IPS for 300,000
 Supply Pressure
 12.00" W.C. Minimum
 14.00" W.C. Maximum

NEW WATER QUALITY REQUIREMENTS (Boilers, Generators)

TDS:	50-125 ppm
Hardness:	50 - 125 mm (3 - 6 gpg)
pH value:	7.0 - 8.5
CL (Chloride):	max 25 ppm
Cl ₂ (free chlorine):	max 0.1 ppm
SiO ₄ 2 (sulfate):	max 150 ppm
Fe (iron):	max 0.1 ppm
SiO ₂ (silica):	max 13 ppm
NH ₂ Cl: (mono-chloramine)	max 0.1 ppm
Total Alkalinity:	50 - 100 ppm
Water Pressure	35 - 80 PSI
Temperature:	max 104°F

CAPACITY: (in 4 oz. servings,
 other sizes may be calculated.)
 10 Gallon / 36 liters 320 servings

ELECTRIC

50 watts for generator
 115 V-1 PH
 ** Do not connect to GFI outlet. See
 note below.

WATER

C1: 1/4" IPS Cold water for boiler
 C2: 3/8" NPT Cold water for faucet
 C2: 3/8" NPT Hot water for faucet

DRAIN

1 1/2" IPS Common Drain
 The floor drain must be
 located outside the confines
 of the equipment.
 Do not connect to any other drain.

CLEARANCES

Right: 6.00"
 Left: 6.00"
 Rear: 6.00"

NOTES:

Cleveland Range reserves right of design improvement or modification, as warranted.
 Many regional, state and local codes exist and it is the responsibility of the owner and installer to comply with the codes.
 Cleveland Range equipment is built to comply with applicable standards for manufacturers. Included among those approval agencies are U.L./NSF#4 and CSA (AGA, CGA).

(NOT TO SCALE)