

MODULAR CABINET BASE,  
ELECTRIC STEAM GENERATOR, 24, 36 OR 48 KW, 24"  
(600MM) WIDE BASE

Project \_\_\_\_\_  
Item \_\_\_\_\_  
Quantity \_\_\_\_\_  
FCSI Section 11400 \_\_\_\_\_  
Approved \_\_\_\_\_  
Date \_\_\_\_\_

**Models**

- 24-EM-24



**Standard Features**

- Type 304 Stainless Steel exterior enclosure; TableTop with #4 finish
- Hinged Cabinet Door
- 6" Stainless Steel Legs with level adjustment
- Solid State Steam Generator Water Level Controls
- Low Water Power Cut-off
- Pressure Limit Controls with 15 psi Safety Valve
- Major components serviceable from the front of the unit
- Steam Generator empties under pressure (blowdown) automatically upon each Shut-Down. Automatic Water Refill on Start-Up
- Separate "Start/Reset" illuminated switch controls, plus Pressure Gauge
- Steam Generator Drain incorporates Water Cooling and "Jet Rinsing"
- Steam Generator is complete with Access Hole/Cover Plate and Sight Glass Gauge
- Secondary Low Water Cut-Off, factory installed (CALE)  
(Required for AZ. AR. CA. CO. CT. DE. FL. GA. HI. IL. IA. KS. MD. MA. MI. MN. MT. NE. NV. NM. NC. OK. OR. PR. RI. TN. UT. VA. WA. WV., Buffalo, NY, Wash. DC)
- Standard voltage is 208/220 volt, 60 Hz, 3 Phase, 3 Wire
- Single cold water Connection (no hot water required)
- Stainless Steel Base Frame (FSS)

**Short Form Specifications**

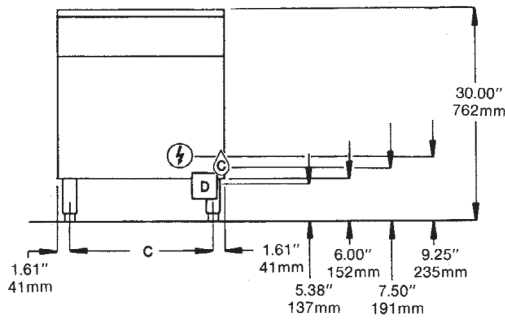
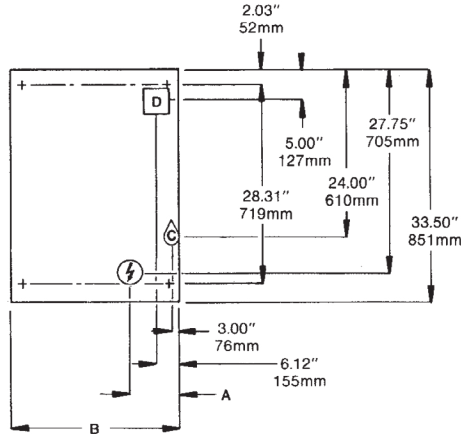
Shall be CLEVELAND Model \_\_\_\_\_ -Em \_\_\_\_\_ KW Electric Steam Generator, Modular Cabinet Base, type 304 Stainless Steel exterior enclosure, Table Top and 6" Level Adjustable Legs. Console mounted Controls, Pressure Gauge and Illuminated "Start/Reset" Control Switches. Solid State Water Level Steam Generator Controls. Steam Generator drains under pressure (blowdown) after each Shut-Down, Automatic Water Fill on Start-Up. 15 psi Safety Valve.

**Options & Accessories**

- Power Take-Off Kit (EPTO)

**Steam Flow Rating of  
Cleveland Steam Generators**

Electric KW Input	Steam Output lbs. per hour	Steam Generator H.P.
24 KW	70	2.0
36 KW	120	3.5
48 KW	150	4.3



		A	B	C
24-EM	IN	7.69	23.62	20.40
	mm	195	600	518

**WATER QUALITY REQUIREMENTS  
(Boilers, Generators)**

TTDS:	50-250 ppm
Hardness:	50 - 200 mm (3 - 12 gpg)
pH value:	7.0 - 8.5
CL (Chloride):	max 50 ppm
Cl2 (free chlorine):	max 0.1 ppm
SiO2 (silica):	max 13 ppm
NH2Cl: (mono-chloramine)	max 0.1 ppm
Total Alkalinity:	50 - 100 ppm
Water Pressure	35 - 80 PSI
Temperature:	max 104°F

ELECTRIC ⚡					WATER 💧 60 psi maximum 35 psi minimum ¼" NPT Cold Water Inlet	DRAINAGE 🗑️ 1 1/2" IPS common drain. Do not connect other units to this drain.  Do not use PVC pipe for drain.	CLEARANCE Right - 3", Left - 3", Rear - 3" (12" on control side if adjoining wall or equipment is over 30" high for service access)  Contact factory for variances to clearances.
KW		208V	220V	240V			
24	3 PHASE	AMPS PER LINE	57	63	52	26	
	1 PHASE		99	N/A	89	45	
36	3 PHASE		100	80	87	44	
48	3 PHASE		119	127	107	53	

For Power Supply, use copper wire only

**NOTES:**

Cleveland Range reserves right of design improvement or modification, as warranted.  
Many regional, state and local codes exist and it is the responsibility of the owner and installer to comply with the codes.  
Cleveland Range equipment is built to comply with applicable standards for manufacturers. Included among those approval agencies are U.L./NSF#4 and CSA (AGA, CGA).

(NOT TO SCALE)