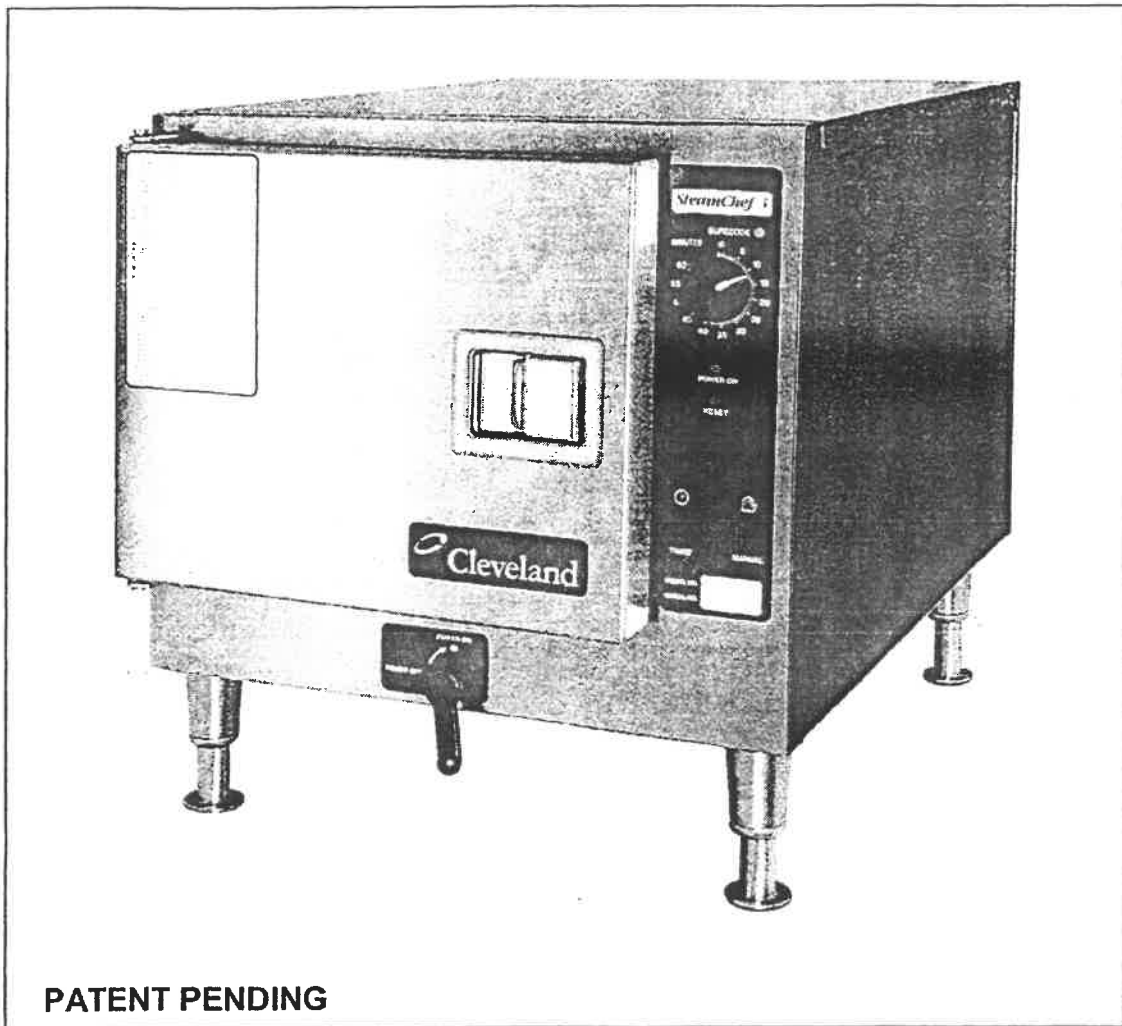


# PARTS MANUAL

Steam Cooker, Rethermalization Unit and Holding Cabinet\*  
(\*Optional)



Series: SteamChef™ Models 22CET3A

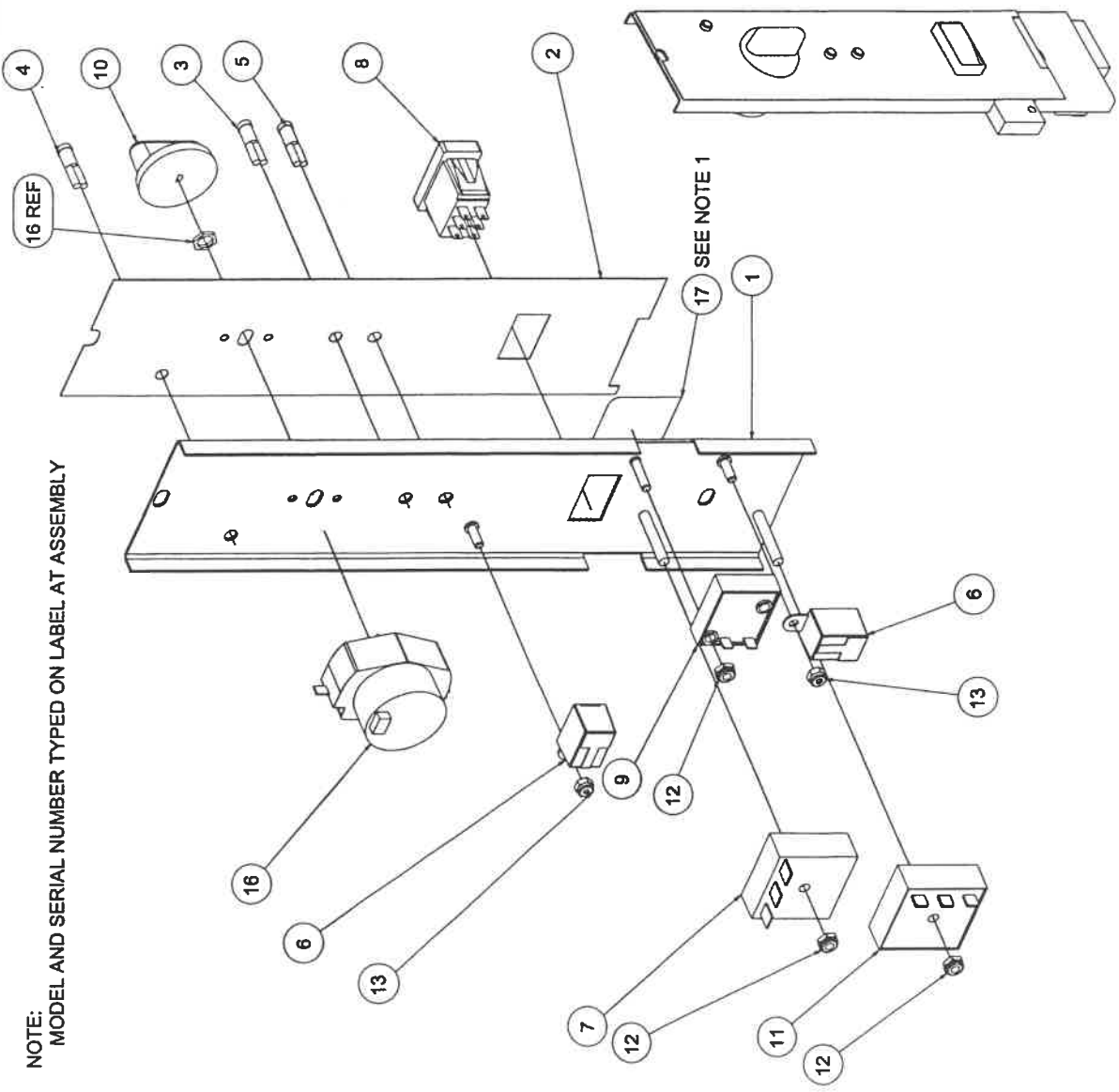
1333 East 179<sup>th</sup> Street  
Cleveland, Ohio 44110

Phone: (216) 481-4900  
Fax: (216) 481 3782  
[www.clevelandrange.com](http://www.clevelandrange.com)

 Cleveland

OCTOBER 2004

NOTE:  
MODEL AND SERIAL NUMBER TYPED ON LABEL AT ASSEMBLY



\* = NOT SHOWN

\*

ITEM	QTY	PART NO.	DESCRIPTION
18	1	300233	HARNESS, MECH., AUTOFILL & CONDENSOR
17	1	109153	LABEL, SLIP IN, MODEL NUMBER / SERIAL NUMBER
16	1	110198	TIMER, MOTOR DRIVEN, 60 MIN, 115V 60HZ W/ NUT
13	2	14692	NUT, HEX, 10-24, ELASTIC LOCK, ZINC PLTD, FASTENER
12	3	101873	NUT, HEX 1/4-20 THIN LOCK, ZINC PLTD, STEEL
11	1	300150	TIMER, SOLID STATE, 60 MINUTE FIXED DELAY
10	1	110661	KNOB, EAGLE TIMER
9	1	108890	SWITCH, DOOR STEAM CUTOFF
8	1	104224	SWITCH, ROCKER DPDT, MATTE
7	1	20477	TIMER, SOLID STATE, 3 SEC DELAY ON BREAK
6	2	41350	BUZZER, ASSY, CONTINUOUS DUTY, 120VAC, 50-60HZ
5	1	12159	LIGHT, INDICATOR, NEON, RED, 7' MIN LEAD LENGTH
4	1	109602	LIGHT, AMBER INDICATOR, NEON, 120V, 7' MIN LEAD LENGTH
3	1	109494	LIGHT, GREEN INDICATOR, NEON, 120V
2	1	110667	LABEL, CTRL, MECH., STMCHEF
1	1	110662	PANEL, CONTROL, WELDT, MECH, TIMER, STEAMCHEF, HL
ITEM	QTY	PART NO.	DESCRIPTION
ITEM	QTY	PART NO.	DESCRIPTION

**CLEVELAND RANGE, LLC**  
1333 East 179th St., Cleveland, Ohio 44110-2574

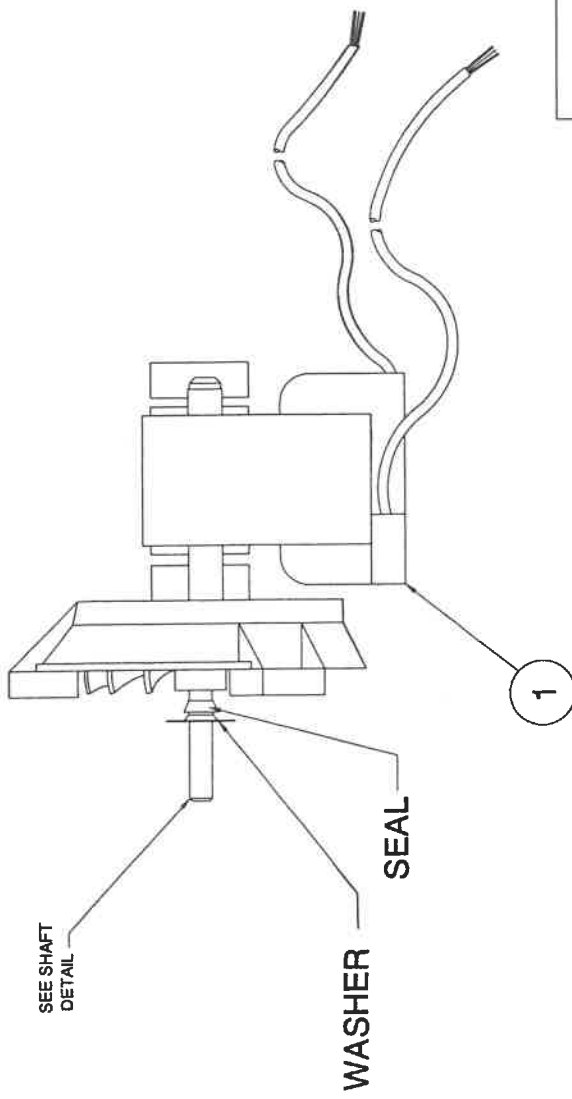
THIS DRAWING IS THE PROPERTY OF CLEVELAND RANGE. IT IS TO BE USED ONLY FOR THE PURPOSES SPECIFIED HEREIN. THE DRAWING IS NOT TO BE REPRODUCED OR TRANSMITTED IN ANY FORM OR BY ANY MEANS, ELECTRONIC OR MECHANICAL, INCLUDING PHOTOCOPYING, RECORDING, OR BY ANY INFORMATION STORAGE AND RETRIEVAL SYSTEM.

TOLERANCES (UNLESS OTHERWISE NOTED)	DO NOT SCALE	PRINTED DRAWING	DRAWN BY	LPH	DATE	8/31/2004
DECIMAL	±.030	TITLE	INSTRUCTION PANEL ASSEMBLY, MECHANICAL TIMER, STEAMCHEF 3			

ANGULAR	±1°	SIZE	B	DRAWING NO.	300337-MANIP	SHEET 1 OF 1	REV	A
---------	-----	------	---	-------------	--------------	--------------	-----	---

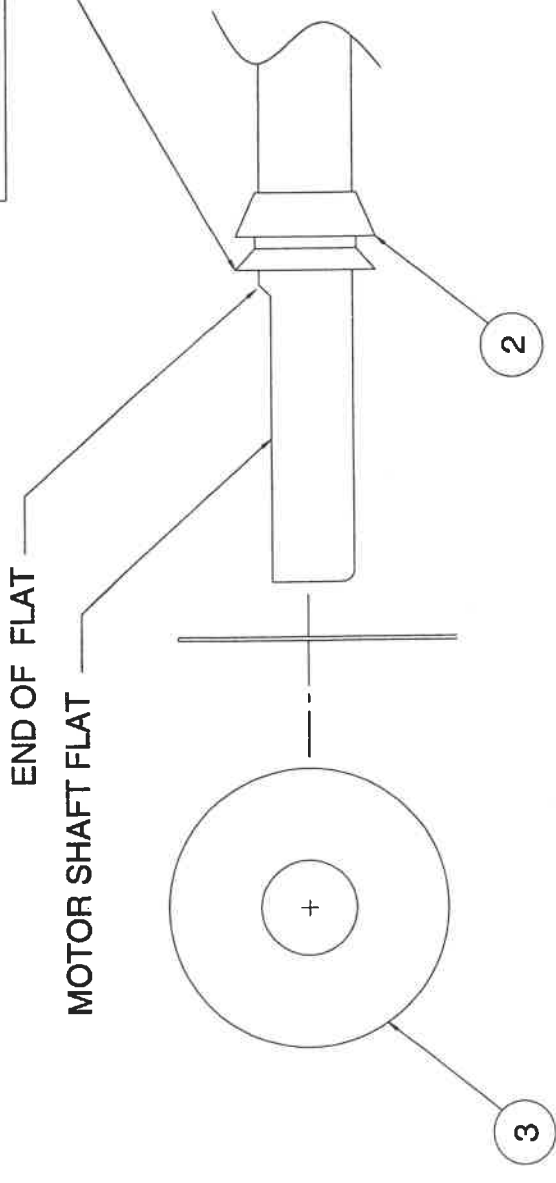
ASSEMBLED VIEW

LET.	4	REVISED	DATE	BY
A		PRODUCTION RELEASE PER E.O. 14176	07-29-03	VDS

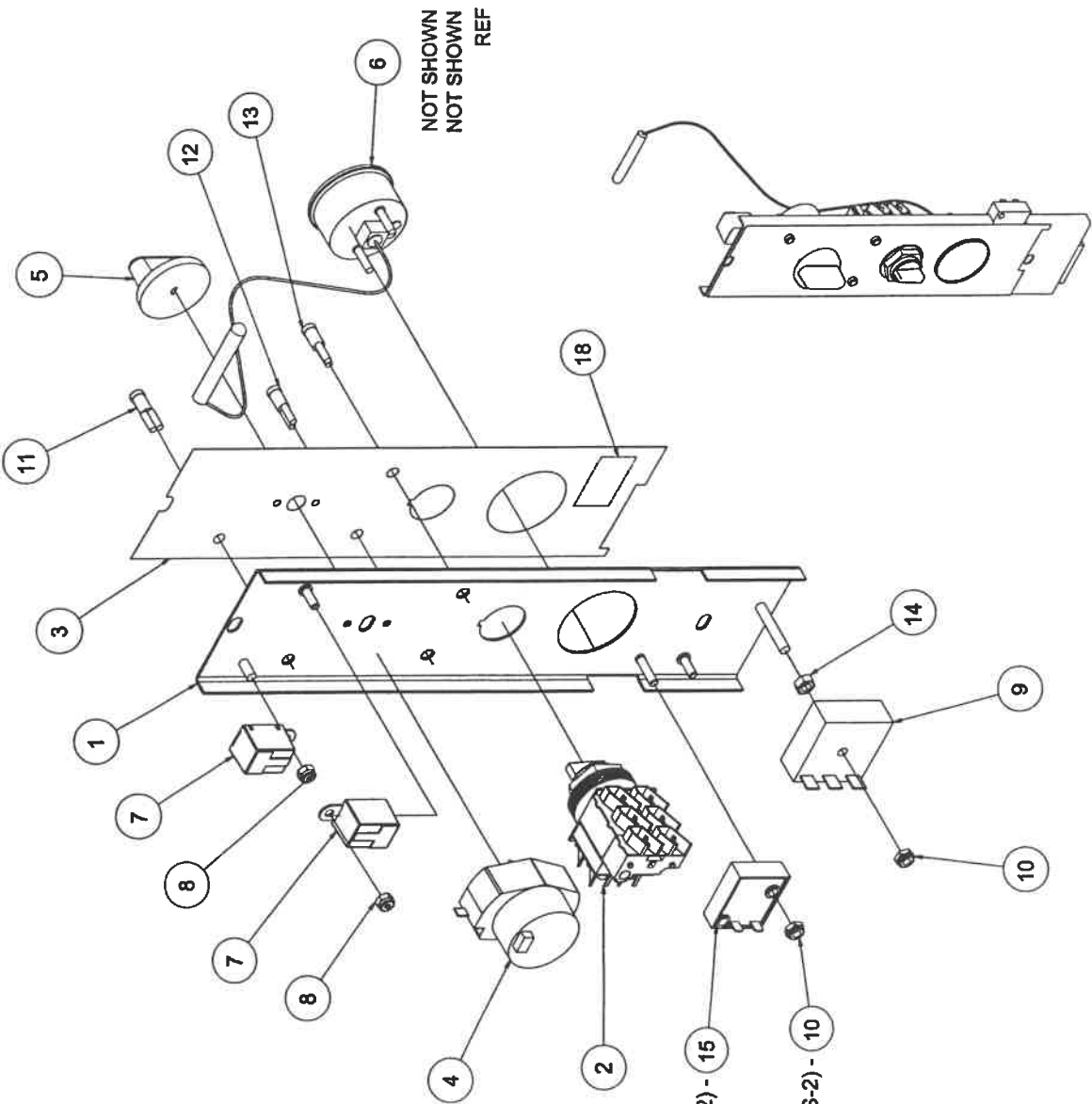


POSITION FLAIED END OF SEAL  
JUST PAST THE END OF SHAFT FLAT

SHAFT DETAIL



3	1	23143	WASHER, S.S., 0.750 X 0.250 X 0.010
2	1	111172	SEAL, V-RING
1	1	110683	MOTOR, FM
ITEM	QTY	PART NO.	DESCRIPTION
<b>CLEVELAND RANGE, LLC</b> 1533 East 179th St., Cleveland, Ohio 44110-2574 <small>THIS DRAWING IS THE PROPERTY OF CLEVELAND RANGE. IT IS TO BE USED ONLY FOR THE PURPOSES SPECIFIED IN THE TITLE. IT IS NOT TO BE REPRODUCED OR TRANSMITTED IN ANY FORM OR BY ANY MEANS, ELECTRONIC OR MECHANICAL, INCLUDING PHOTOCOPYING, RECORDING, OR BY ANY INFORMATION STORAGE AND RETRIEVAL SYSTEM.</small>			
TOLERANCES UNLESS OTHERWISE SPECIFIED		DRAWN BY	DATE
DECIMAL		VDS	07-29-03
ANGULAR		TITLE	
±1°		MOTOR ASSY, BLOWER, W/ SEAL STEAMCHEF	
SIZE	DRAWING NO.	SHEET 1 OF 1	REV
C	300277		A



NOT SHOWN  
NOT SHOWN  
REF

ITEM	QTY	PART NO.	DESCRIPTION
18	1	109153	LABEL, SLIP-IN, MODEL NO/SERIAL NO.
17	1	300270	HARNES, WIRE, CTRL PANEL, MECH TIMER W/HOLD
16	8	20351	TERMINAL, SLIPON FULL-INSUL
15	-	108880	SWITCH, DOOR STEAM CUTOFF
14	1	14617	NUT, HEX 1/4-20 STEEL OXIDE FINISH
13	1	108494	LIGHT, GREEN INDICATOR, NEON, 120V
12	1	12159	LIGHT, INDICATOR, NEON, RED, 7" MIN LEAD LENGTH
11	1	108602	LIGHT, AMBER INDICATOR, NEON, 120V, 7" MIN LEAD LENGTH
10	1	101873	NUT, HEX 1/4-20 THIN LOCK, ZINC PLTD, STEEL
9	1	20477	TIMER, SOLID STATE, 3 SEC DELAY ON BREAK
8	2	14682	NUT, HEX, 10-24, ELASTIC LOCK, ZINC PLTD, FASTENER
7	2	41350	BUZZER, ASSY, CONTINUOUS DUTY, 120VAC, 50-60HZ
6	1	111156	THERMOMETER, REMOTE READING, 0 TO 240° F
5	1	110661	KNOB, EAGLE TIMER
4	1	110188	TIMER, MOTOR DRIVEN, 60 MIN, 115V 60HZ
3	1	1106671	LABEL, CONTROL PANEL, MECH. TIMER/HOLD, STEAM/CHIEF
2	1	300275	SWITCH ASSY, 3 POSITION STEAM/CHIEF, W/HOLD
1	1	1111651	PANEL, CTRL., W/DMNT, MECH. TIMER, CHIEF W/HOLD, HR

**CLEVELAND RANGE, LLC**  
 1333 East 179th St., Cleveland, Ohio 44116-2574

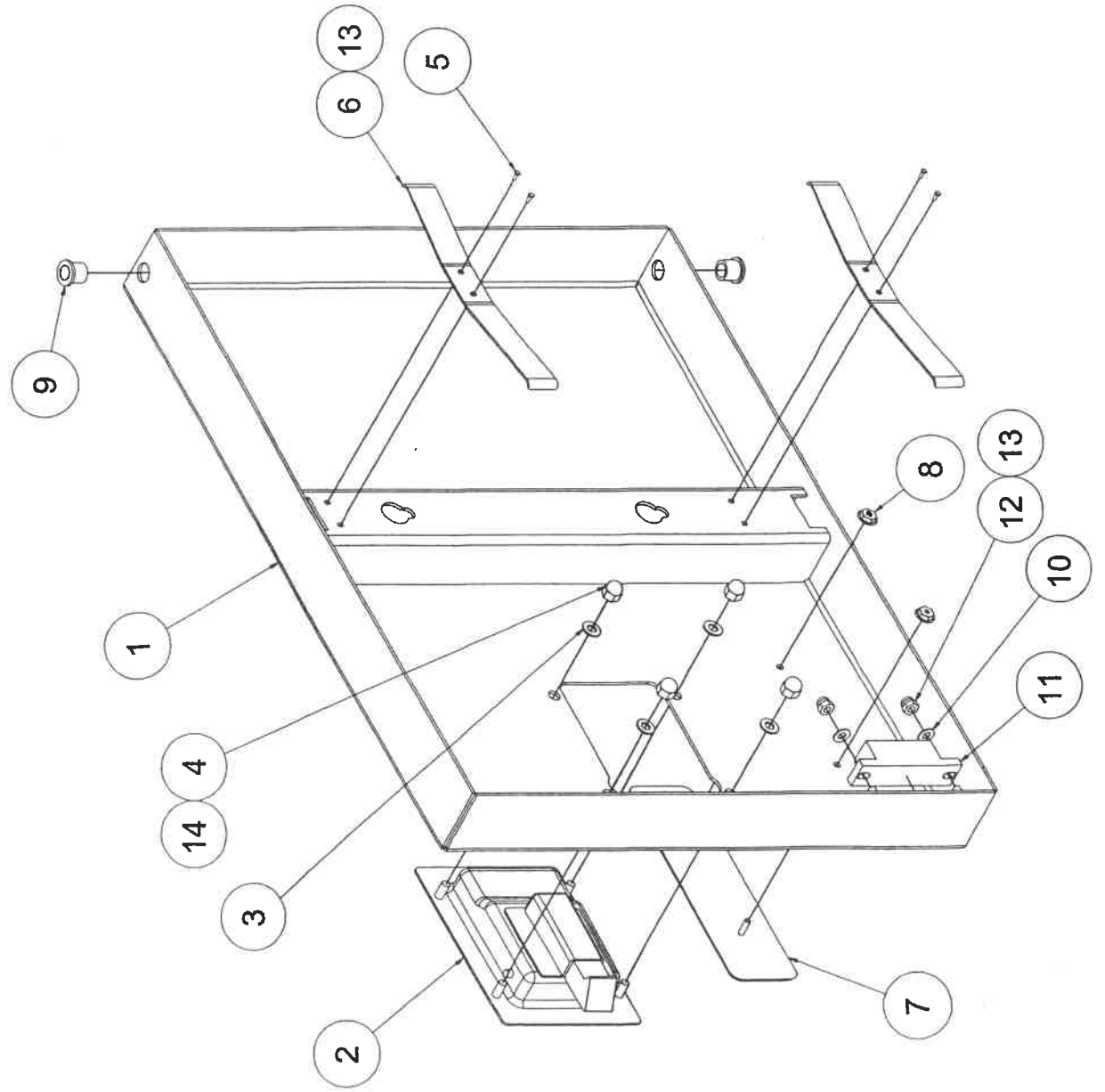
THIS DESIGN REMAINS A PROPRIETARY ITEM AND IS THE PROPERTY OF CLEVELAND RANGE. THIS DRAWING IS NOT TO BE COPIED OR USED WITHOUT THE APPROVAL OF CLEVELAND RANGE.

TOLERANCES (UNLESS OTHERWISE NOTED)	DO NOT SCALE	PRINTED DRAWING	DRAWN BY	DATE
DECIMAL ±.030			IGetzl	10/7/2004

TITLE: PANEL ASSEMBLY, MECH. TIMER W/HOLD, HR, CHIEF

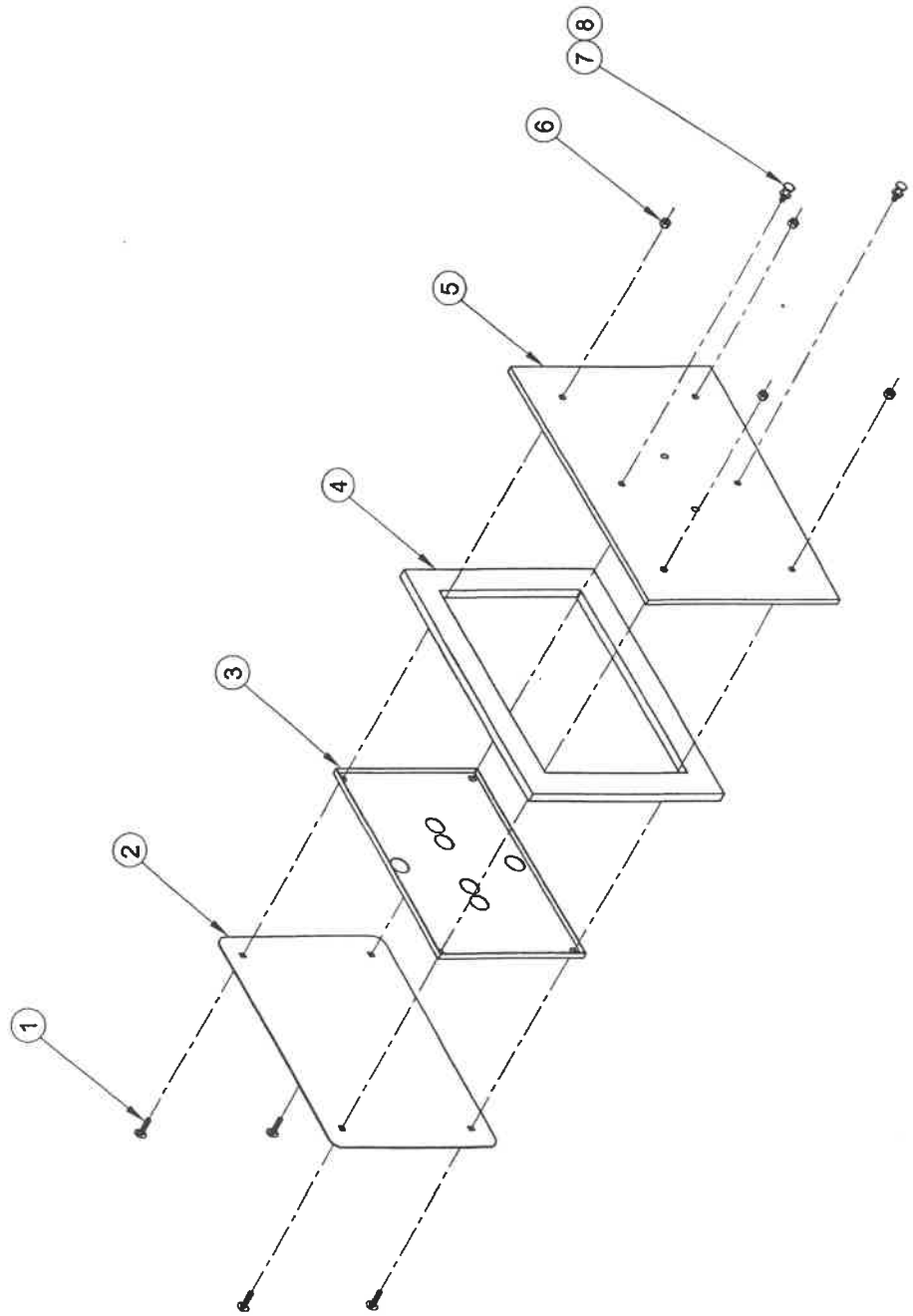
SIZE: B DRAWING NO.: 3002681-MANIP REV: A SHEET 1 OF 1

LET.	REVISIONS	DATE	BY
------	-----------	------	----



14	AR	104146	LOCKTITE #222 LOW STRENGTH
13	AR	00933	SEALANT, RTV, CLEAR
12	.	109164	NUT, HEX, ACORN, 8-32, SST
11	.	108879	MAGNET, DOOR STEAM CUTOFF
10	-	101336	WASHER, FLAT, #8, PLTD STL
9	2	103641	BUSHING, DOOR HINGE
8	2	104987	NUT, WASHER STYLE, THD GC FOR 1/8 DIA STUD
7	1	105901	LABEL, NAMEPLATE, CLEVELAND, CAST
6	2	102228	SPRING, DOOR, 3/8 PAN
5	4	18357	RIVET, 0.125 DIA FLUSH BREAK, SIS
4	4	14679	NUT, #10-24 ACORN, SST
3	4	101655	WASHER, FLAT, #10, SST
2	1	103643	LATCH, DOOR-PADDLE TYPE
1	1	110485	OUTER DOOR, STEAMCHIEF 3 WELDMENT - HINGED LEFT
ITEM	QTY	PART NO.	DESCRIPTION
ITEM	QTY	PART NO.	DESCRIPTION
<b>CLEVELAND RANGE, LLC</b>			
1333 Ebbt 179th St, Cleveland, Ohio 44110-2574			
<small>THIS DESIGN DESCRIBES A PROPRIETARY ITEM AND IS THE PROPERTY OF CLEVELAND RANGE. THIS DRAWING IS NOT TO BE COPIED OR USED WITHOUT THE APPROVAL OF CLEVELAND RANGE.</small>			
TOLERANCES (UNLESS OTHERWISE NOTED)	DO NOT SCALE	DRAWN BY	DATE
DECIMAL	PRINTED DRAWING	LPH	7/2/2004
ANGULAR	TITLE	DOOR ASSEMBLY, STEAMCHIEF W/SSCS OPTION	
±.030	SIZE	DRAWING NO.	REV
±1°	B	110640SERV-MANP	SHEET 1 OF 1 A

LET.	REVISIONS	DATE	BY
------	-----------	------	----



ITEM	QTY	PART NO.	DESCRIPTION
8	ADHESIVE, LOCKTITE, BLUE		
7	2	19923	STUD, INNER DOOR MOUNTING
6	4	14665	NUT, HEX LOCK, 1/4-20
5	1	100745	WELDMENT, INNER DOOR
4	1	07138	GASKET, DOOR, 3 PAN COMPT.
3	1	66214	RETAINER, GASKET, INNER
2	1	66595	PLATE, GASKET RETAINER
1	4	104719	BOLT, CARRIAGE, 1/4-20 x 1.00

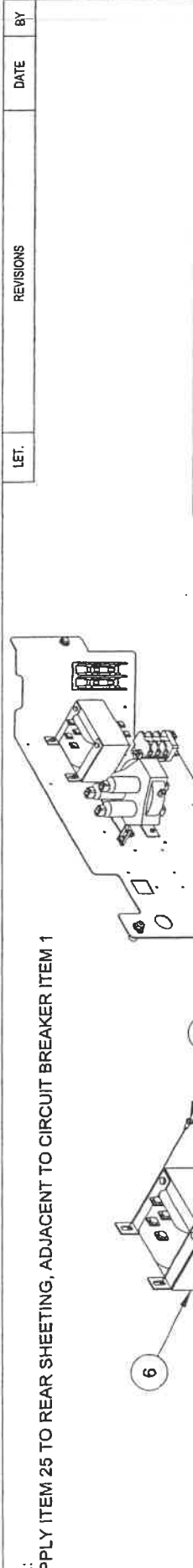
**CLEVELAND RANGE, LLC**  
 1333 East 179th St., Cleveland, Ohio 44110-2574

THIS DRAWING IS THE PROPERTY OF CLEVELAND RANGE. THIS DRAWING IS NOT TO BE COPIED OR REPRODUCED WITHOUT THE APPROVAL OF CLEVELAND RANGE.

DO NOT SCALE (UNLESS OTHERWISE NOTED)	PRINTED DRAWING	DRAWN BY	PJD	DATE	02-28-91
TOLERANCES	TITLE				
DECIMAL	DOOR, INNER ASSEMBLY 3 PAN COMPARTMENT				

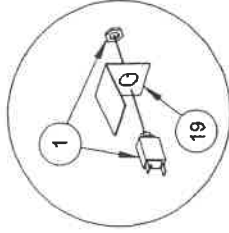
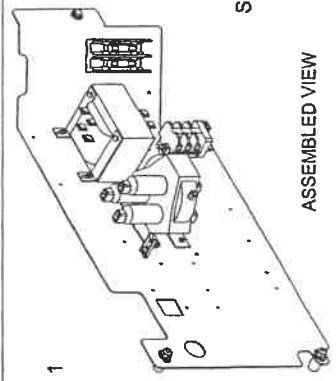
ANGULAR	SIZE	DRAWING NO.	REV
-	B	104101-MANP	D

NOTE:  
1: APPLY ITEM 25 TO REAR SHEETING, ADJACENT TO CIRCUIT BREAKER ITEM 1

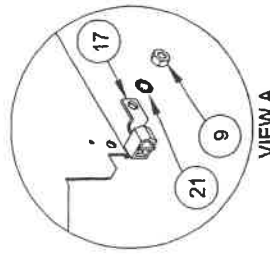


SEE NOTE 1 \*  
\*  
\*  
\*  
\*

ASSEMBLED VIEW



CIRCUIT BREAKER AND SHIELD  
REFERENCE COMPONENTS  
INSTALLED AT ASSEMBLY



VIEW A

SEE VIEW A  
FROM REAR

ITEM	QTY	PART NO.	DESCRIPTION
25	1	108346	LABEL, CIRCUIT BREAKER
24	1	300341	HARNES, FUSE BLOCK
23	1	300340	WIRE GROUP, CONTACTOR, 3PH
22	2	300238	WIRE ASSY., TRANSFORMER JUMPER
21	1	23187	WASHER, LOCK, INTERNAL TOOTH 1/4" SST
20	2	19555	SPACER, 1/4" I.D. X 1/2 O.D.
19	1	108848	BRACKET, CIRCUIT BREAKER SHIELD
18	1	19288	SCREW, 1/4-20 X 3/4, HEX, HD, ZINC PLATED
17	1	12331	LUG, GROUND, SOLDERLESS
16	3	23116	WASHER, FLAT, .281 ID X .625 OD X .065 THK, SST
15	1	23105	WASHER, LOCK, 1/4", SST
14	1	19170	SCREW, HEX HD, 1/4-20x5/8, SST
13	1	111381	COMPONENT PANEL, CHEF 3.6 GAS AND ELECTRIC HL
12	1	108612	CLIP, WIRE, VERTICAL, 0.740" X 0.420"
11	8	106754	SCREW, 6-32 X 3/8, HEX/SLOT-WASHER HD.
10	2	106126	SCREW, 8-32 X 1/2, TORX/SLOT-PAN HD
9	3	14618	NUT, HEX, 1/4-20, STAINLESS STEEL
8	2	106127	SCREW, 6-32 X 1/2, TORX/PAN HD
7	1	300022	CONTACTOR, MERCURY, 35 AMP, 3 POLE
6	1	300254	TRANSFORMER, 200VA, 240V/480V PRIMARY
5	2	109380	FUSE, 3.5 AMP
4	1	109374	BLOCK, FUSE, 2 POLE, 30 AMP
3	3	101541	BLOCK, TERMINAL SECTION 85 - AMPERE BOX TYPE
2	1	101540	END SEGMENT, SECTIONAL-TERMINAL BLOCK, 85 AMP
1	1	300255	BREAKER, CIRCUIT 1.5 AMP
ITEM	QTY	PART NO.	DESCRIPTION

CLEVELAND RANGE, LLC  
1333 East 178th St., Cleveland, Ohio 44110-2874

THIS DESIGN BECOMES A PROPRIETARY ITEM AND IS THE PROPERTY OF CLEVELAND RANGE.  
THIS DRAWING IS NOT TO BE COPIED OR USED WITHOUT THE APPROVAL OF CLEVELAND RANGE.

TOLERANCES  
(UNLESS OTHERWISE NOTED)

DECIMAL  
±.030

ANGULAR  
±1°

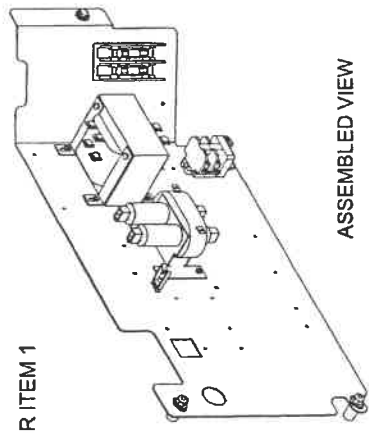
PRINTED DRAWING  
LPH

TITLE  
PANEL, ASSEMBLY, HIGH  
VOLTAGE, 3 PHASE, HL

DATE  
10-04-2004

REV SHEET 1 OF 1  
DRAWING NO. 300343-MANP  
SIZE B  
BY A

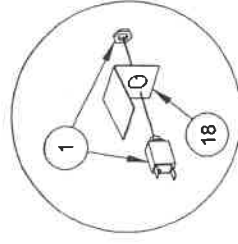
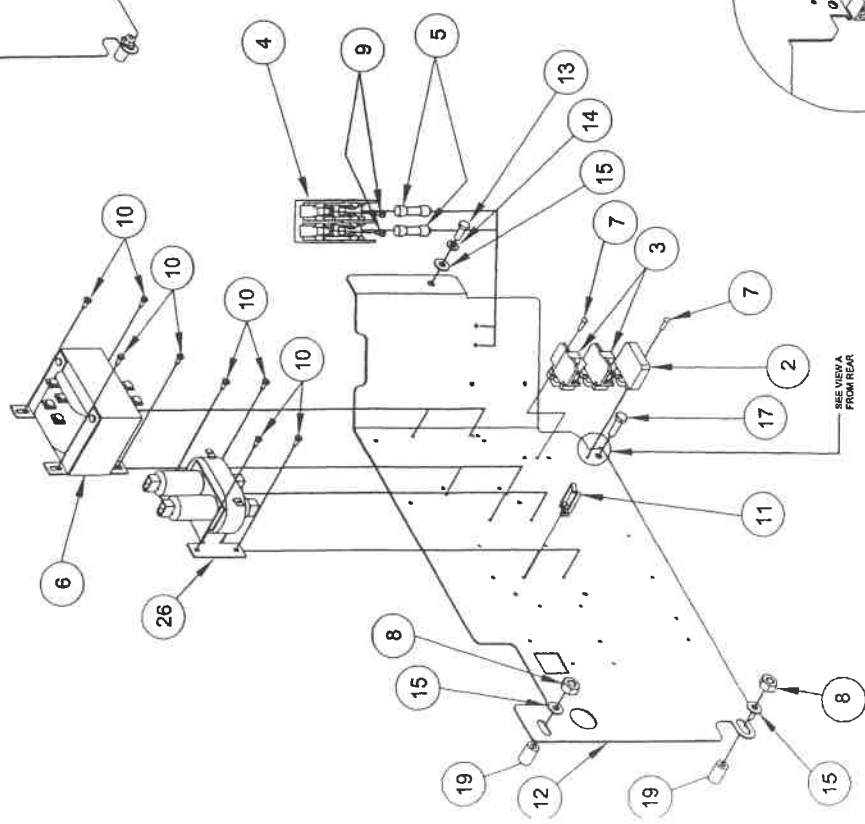
NOTE:  
1: APPLY ITEM 24 TO REAR SHEETING, ADJACENT TO CIRCUIT BREAKER ITEM 1



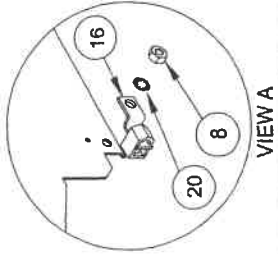
SEE NOTE 1 \* \* \* \*

ITEM	QTY	PART NO.	DESCRIPTION
25	1	104234	CONTACTOR, 50 AMP, 2 POLE, MERCURY
24	1	108346	LABEL, CIRCUIT BREAKER
23	1	300341	HARNESS, FUSE BLOCK
22	1	300342	WIRE GROUP, CONTACTOR, 1PH
21	2	300238	WIRE ASSY., TRANSFORMER JUMPER
20	1	23137	WASHER, LOCK, INTERNAL TOOTH 1/4" SST
19	2	19555	SPACER, 1/4" I.D. X 1/2 O.D.
18	1	108848	BRACKET, CIRCUIT BREAKER SHIELD
17	1	19288	SCREW, 1/4-20 X 3/4, HEX, HD, ZINC PLATED
16	1	12331	LUG, GROUND, SOLDERLESS
15	3	23116	WASHER, FLAT, .281 ID x .625 OD x .065 THK, SST
14	1	23105	WASHER, LOCK, 1/4", SST
13	1	19170	SCREW, HEX HD, 1/4-20x5/8, SST
12	1	111381	COMPONENT PANEL, CHEF 3.6 GAS AND ELECTRIC HL
11	1	108612	CLIP, WIRE, VERTICAL, 0.740" X 0.420"
10	8	106754	SCREW, 6-32 X 3/8, HEX/SLOT-WASHER HD.
9	2	106126	SCREW, 8-32 X 1/2, TORX/SLT. PAN HD
8	3	14618	NUT, HEX, 1/4-20, STAINLESS STEEL
7	2	106127	SCREW, 6-32 X 1/2, TORX/PAN HD
6	1	300254	TRANSFORMER, 200VA, 240V/480V PRIMARY
5	2	109380	FUSE, 3.5 AMP
4	1	109374	BLOCK, FUSE, 2 POLE, 30 AMP
3	2	101541	BLOCK, TERMINAL SECTION 65 - AMPERE BOX TYPE
2	1	101540	END SEGMENT, SECTIONAL TERMINAL BLOCK, 65 AMP
1	1	300255	BREAKER, CIRCUIT 1.5 AMP

ITEM	QTY	PART NO.	DESCRIPTION
<b>CLEVELAND RANGE, LLC</b> 1333 East 179th St., Cleveland, Ohio 44110-2574 <small>THIS DRAWING IS THE PROPERTY OF CLEVELAND RANGE. IT IS TO BE USED ONLY FOR THE PROJECT AND DATE SPECIFIED. IT IS NOT TO BE REPRODUCED OR USED WITHOUT THE APPROVAL OF CLEVELAND RANGE.</small>			
TOLERANCES (UNLESS OTHERWISE NOTED)		DO NOT SCALE	PRINTED DRAWING
DECIMAL	±.030	DRAWN BY	LPH
ANGULAR	±1°	DATE	10-04-2004
		TITLE <b>PANEL, ASSEMBLY,                  HIGH VOLTAGE, 1 PHASE</b>	
		DRAWING NO.	300344-MANP
		SIZE	B
		SHEET 1 OF 1	REV A

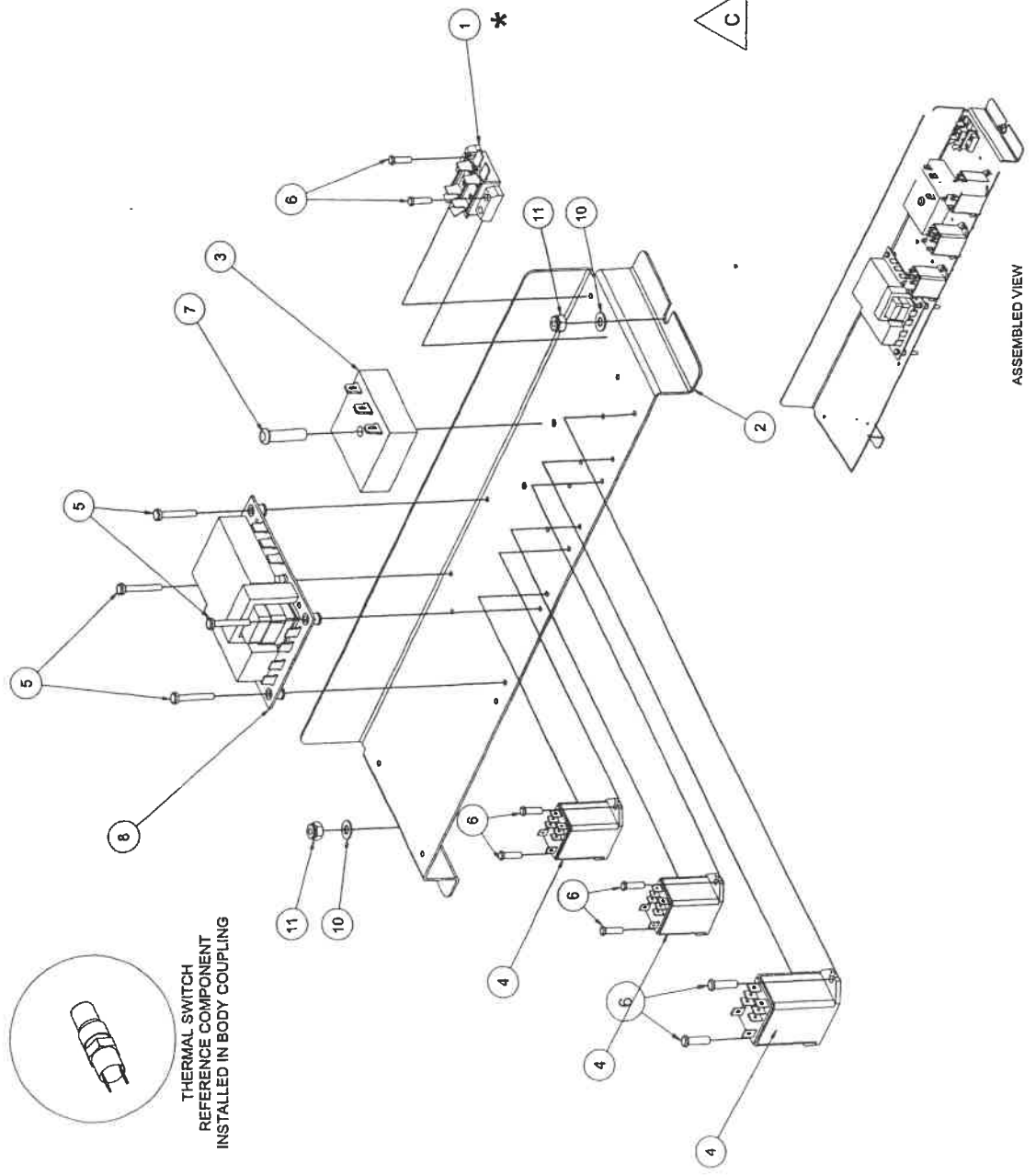


CIRCUIT BREAKER AND SHIELD REFERENCE COMPONENTS INSTALLED AT ASSEMBLY



\* - NOT SHOWN

LET.	REVISIONS	DATE	BY
------	-----------	------	----



ASSEMBLED VIEW

\* = NOT SHOWN

ITEM	QTY	PART NO.	DESCRIPTION
12	1	300335	HARNESSE, MAIN
11	2	14672	NUT, HEX, 10-32, ELASTIC LOCK, ZINC PLTD
10	2	101655	WASHER, FLAT, #10, SST
9	1	19972	SWITCH, THERMAL CLOSE 193 DEG. F
8	1	107241	BOARD, WATER LEVEL CONTROL
7	1	106124	SCREW, TORXSLOT #10-32 X 1 LG
6	8	106127	SCREW, 6-32 X 1/2, TORXPAN HD
5	4	106128	SCREW, 6-32 X 1 TORXPAN HD
4	3	106966	RELAY, DPDT-W/MTG TABS
3	1	20478	TIMER, SOLID STATE INTERV 3 MINUTE
2	1	111154	PLATE, COMPONENT MOUNTING, STEAMCHEF
1	1	44168	TERMINAL, BLOCK ASM, 2 POLE
ITEM	QTY	PART NO.	DESCRIPTION

<b>CLEVELAND RANGE, LLC</b> 1333 East 179th St., Cleveland, Ohio 44110-2574			
TOLERANCES UNLESS OTHERWISE NOTED DECIMAL $\pm .030$	DO NOT SCALE PRINTED DRAWING TITLE PANEL, ASSY, COMPONENT, W/O HOLD	DRAWN BY LPH	DATE 9/24/2004
SIZE <b>B</b>	DRAWING NO. <b>300334-MANP</b>	SHEET 1 OF 1	
ANGULAR $\pm 1^\circ$	REF <b>C</b>		

2 ORIENT, ON OF  
ITEMS, 1,3,5,6,9

3 SEALANT USED ON,  
ITEMS MARKED (13)

4 NOTE PARTS TO BE  
SHIPPED TO INSTAL

5 ALL FITTINGS TO BE  
FREE OF TRASH / CF

\*

\*

\*

11

3

2

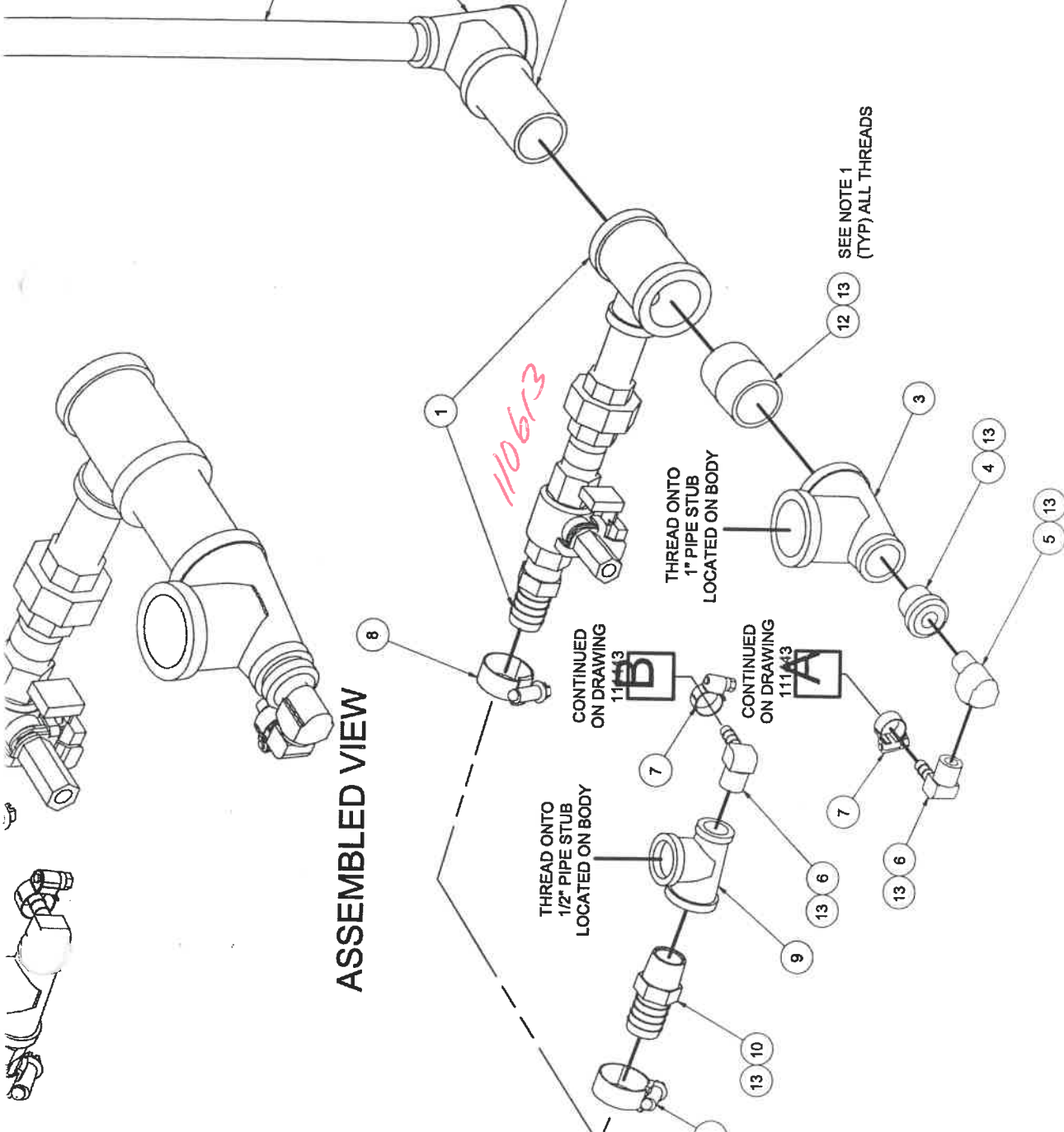
ITEM	QTY	PART NO.	DESCRIPTION
13	AIR	00909	SEALANT, PIPE DOPE
12	1	14370	NIPPLE, 1.00 NPT X CLOSE SCH40, BRASS
11	1	110804	NIPPLE, .50NPT X 17.00 SCH40, BRASS TOE
10	1	06241	FTG, HOSE BARB, 3/4HX1/2MPT, BR.
9	1	110852	TEE, 1/2" X 1/4" X 1/2" BRASS
8	2	03207	HOSE, CLAMP, LINED, WORM DRIVE, MAX OC
7	2	106526	CLAMP, HOSE, WORM DRIVE, 3/8 TO 5/8X5/16
6	2	105786	FTG, HOSE BARB, 1/4HX1/4MPT, 90°, BRASS
5	1	05235	ELBOW, STREET 1/4 X 90° BR, LONG PATTERN
4	1	02549	BUSHING, CONDENSER, CONVECTION STEAL
3	2	111153	TEE, 1" X 1/2" X 1", BRASS
2	1	1109961	NIPPLE 1 NPT X 2.875 SCH 40, TBE, BRASS
1	1	111444	ASSEMBLY, DRAIN / POWER SWITCH, STEAM

**CLEVELAND RANGE, LLC**  
1333 East 179th St., Cleveland, Ohio 44110-2674

THIS DRAWING IS NOT TO BE COPIED, REPRODUCED, OR TRANSMITTED IN ANY FORM OR BY ANY MEANS WITHOUT THE WRITTEN PERMISSION OF CLEVELAND RANGE, LLC.

TOLERANCES UNLESS OTHERWISE SPECIFIED:  
DIMENSIONS: ± 0.030  
ANGLES: ± 1°

DO NOT SCALE  
PRINTED DRAWING  
DRAWN BY: LPH  
TITLE: INSTRUCTION ASSEMBLY, PIPING, WATER S  
SIZE: C  
DRAWING NO.: 111480



05233  
111532  
108786  
02549

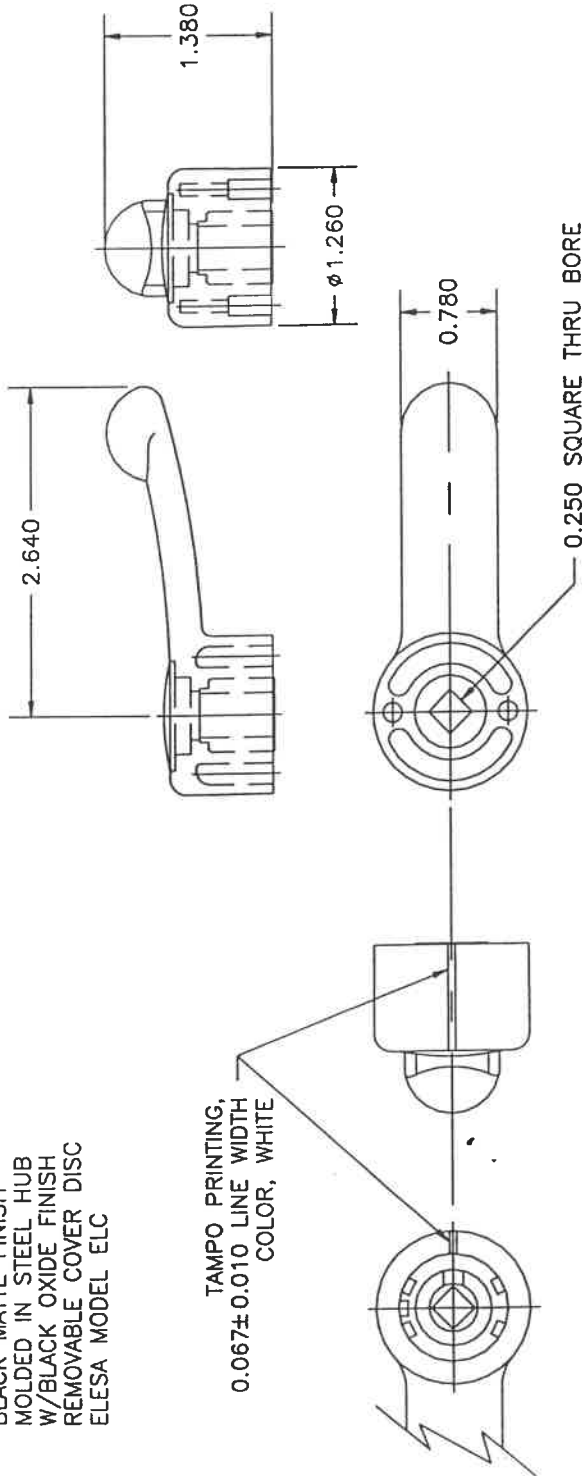
\* = REFERENCE PART ASSEMBLED BY INSTALLER

NOTE


14556

ALL DIMENSIONS REFERENCE ONLY.

SPECIFICATIONS:  
 GLASS FIBER REINFORCED POLYMER  
 BLACK MATTE FINISH  
 MOLDED IN STEEL HUB  
 W/BLACK OXIDE FINISH  
 REMOVABLE COVER DISC  
 ELESA MODEL ELC



APPROVED SOURCE:

 ELESA U.S.A. CORP.  
 P/N XP212120EJ482/0

Handle Spacer Bushing clip for bushings clip for Rod  
 110652 110699 108990 102187 110742

2 mats 1/8  
 14675  
 9/16 socket  
 110713



LET.	REVISIONS	DATE	BY
A	PRODUCTION RELEASE PER EO #C-6225	02-22-02	DS
B	VENDOR PART No. WAS 6MCA6D/C1, PER EO #C-6075R7	04-17-02	DS
C	VENDOR WAS J.W. WINCO INC. P/N 1VCA6/C1	06-19-02	DSZ
D	PER EO# C-6082 (REF ECR# 02-04J)	-	-
	ADDED PAINTED LINE, PER EO #C-6416	12-03-03	DS

ITEM	QTY	PART NO.	DESCRIPTION
			CLEVELAND RANGE, LLC 1333 East 179th St., Cleveland, Ohio 44110-2574 <small>THIS DESIGN DESCRIBES A PROPRIETARY ITEM AND IS THE PROPERTY OF CLEVELAND RANGE. THIS DRAWING IS NOT TO BE COPIED OR USED WITHOUT THE APPROVAL OF CLEVELAND RANGE.</small>
			DO NOT SCALE PRINTED DRAWING TITLE LEVER, CONTROL MODIFIED W 1/4" SQUARE THRU BORE
			DATE 02-22-02
			DRAWN BY DS
			SIZE B
			DRAWING NO. 110652
			ANGULAR -
			SHEET 1 OF 1
			REV D

VIA UE w/s wires  
 110613