

Installation Instructions

UNISTAND25 Equipment Stand for Directly Stacking SteamCraft® and SteamChef™ Steamers

The Installation of Cleveland Range steamers on this stand should only be performed by Cleveland Range authorized technicians. Read entire installation procedure before beginning.

This stand is intended for directly stacking (2) SteamCraft® model 21CET8 steamers* or (2) SteamChef™ model 22CET3A steamers* or (1) SteamChef™ 6 model 22CCT6 steamers*.

UNISTAND25 (P/N 111717) PARTS LIST

Item No.	Part No.	Description	Quantity
1	260AZF	Instructions for Installing Steamers on Unistand25	1
2	111764	Unistand25 Equipment Stand Assembly	1

***Important:** To directly stack (2) SteamCraft® model 21CET8 Steamers, an additional SteamCraft® Direct Stack Mounting Kit, P/N 107166, will be needed.

To directly stack (2) SteamChef™ model 22CET3A steamers, an additional SteamChef™ Direct Stack Mounting Kit, P/N 111771, will be needed.

To directly stack (1) SteamChef™ 6 model 22CCT6 steamer, an additional SteamChef™ 6 Direct Stack Mounting Kit, KE004074, will be needed.

The above kits include all the required spacers, brackets, fasteners, hose, and fittings necessary to properly stack these steamers.

Each kit includes its own set of Installation Instructions. These are P/N 260ALA (direct stacked 21CET8 steamers) and 260AZG (direct stacked 22CET3A steamers). SteamChef™ 6 installation instruction is included in this document. Refer to these instructions to complete the direct stacked steamer installation.

SteamChef™ 6 Stand Mounting Kit, P/N KE004074 (Not Included with Stand)

1	KE604153	FOOT ADAPTER; STACK STAND LEG; 22CCT6	4
2	111013	Washer, Fender, 17/32" ID x 1½" OD, SST	4
3	23153	Washer, Lock, ½, SST	4
4	111012	Screw, Hex Head, ½-13 x ¾" Long, SST	4

See Pages 2 - 4 for Installation of SteamChef™ 6 Steamers

18301 St. Clair Street
Cleveland, Ohio 44110
Phone: (216) 481-4900
Fax: (216) 481-3782
www.clevelandrange.com



SteamChef™ 6 Steamer Installation

(Model 22CCT6)

In addition to knowledge of this procedure, installer must be familiar with the instructions supplied with each SteamChef™ 6 steamer. These instructions are part of Cleveland Range P/N KE004048 and KE004049.

For this installation, SteamChef™ 6 Stand Mounting Kit, P/N KE004074, is required and must be ordered separately as it is not included with stand.

To Mount the SteamChef™ 6 steamer on the UNISTAND25 you must first take out the Aluminum Foot Leveling for leg P/N KE604161 and replace all 4 legs with new S.S. adapters P/N KE604153 that are included in the SteamChef™ 6 Stand Mounting Kit, P/N KE004074 as shown in the below Pictures.

1. By using a Snap Ring Tool Remover, Remove the Snap Ring from the bottom of the foot leveler P/N KE604161
2. Unscrew the Foot Leveler P/N KE604161 from all 4 legs and Replace them with the new S.S. adapters P/N KE604153 (See Pictures Below)



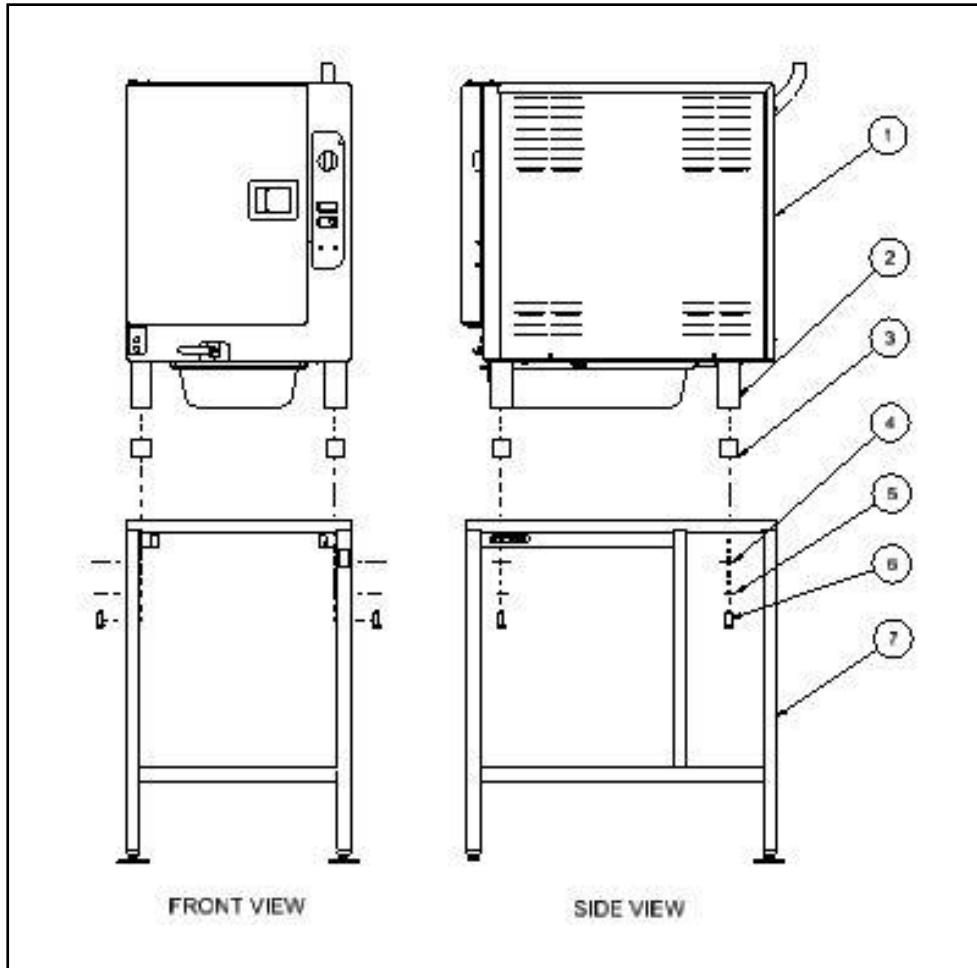
Figure 1

SteamChef™ 6 Re-Placement with new Foot Adapter

3. Screw four legs with new SS adapters of SteamChef™ 6 into nuts inside bottom of steamer as shown in Figure 2 (Items 1 and 2) on the following page.
4. Align steamer so that mounting bolts come up through holes marked “B” in Figure 3 (Page 4)
5. Rest the S.S. foot adapters from each leg of the steamer onto stand so the foot adapters holes are concentric with the holes on UNISTAND25 and resting on the top of stand. (See Figure 2)
6. Secure steamer to stand using four special Washers nuts P/N 111013 (Item 4), four 1/2 Lock washers P/N 23153 (Item 5), and four 1/2-13 Hex head Screws P/N 111012

(Item 6) from UNISTAND25 Parts kit as shown in Figure 4. Tighten the 1/2-13 Hex head screws so that the SteamChef™ 6 is secure to stand.

7. Complete installation of steamer as outlined in its installation manual.



*Supplied-with or Part-of SteamChef™ 6 Steamer

Figure 2
SteamChef™ 6 Mounting Instructions
(Model 22CCT6 shown on Unistand25)

1	-	SteamChef™ 6 Steamer (SteamChef™ 6 22CCT6 Shown)	1
2	KE003943*	Weldment; Leg; 22CCT6	4
3	KE604153	Foot Adapter; Stand Leg; 22CCT6	4
4	111013	Washer, Fender, 17/32" ID x 1½" OD, SST	4
5	23153	Washer, Lock, ½, SST	4
6	111012	Screw, Hex Head, ½-13 x ¾" Long, SST	4
7	111764	Unistand25 Equipment Stand Assembly	1
Item No.	Part No.	Description	Quantity

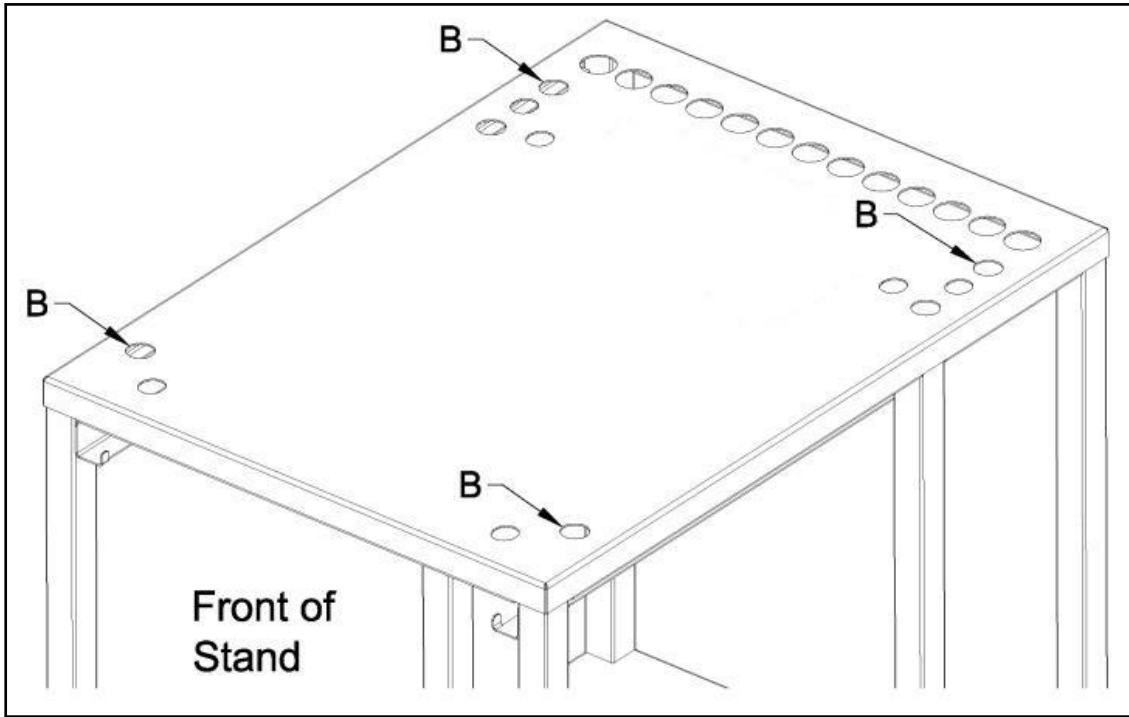


Figure 3
SteamChef™ 6 Electric Mounting

This Page for Internal Record Only, Not for Printing

Cleveland Range, LLC

18301 St. Clair St, Cleveland, Ohio 44110

Drawing No. 260AZF

Revision Index Page

LET	REVISION HISTORY	DATE	BY
A	PRODUCTION RELEASE PER EO #C-6884R1	11-23-05	JSB
B	REVISED TO INCLUDE 22CCT6 (STEAMCHEF 6) PER ECO-002000	09-13-19	FG