
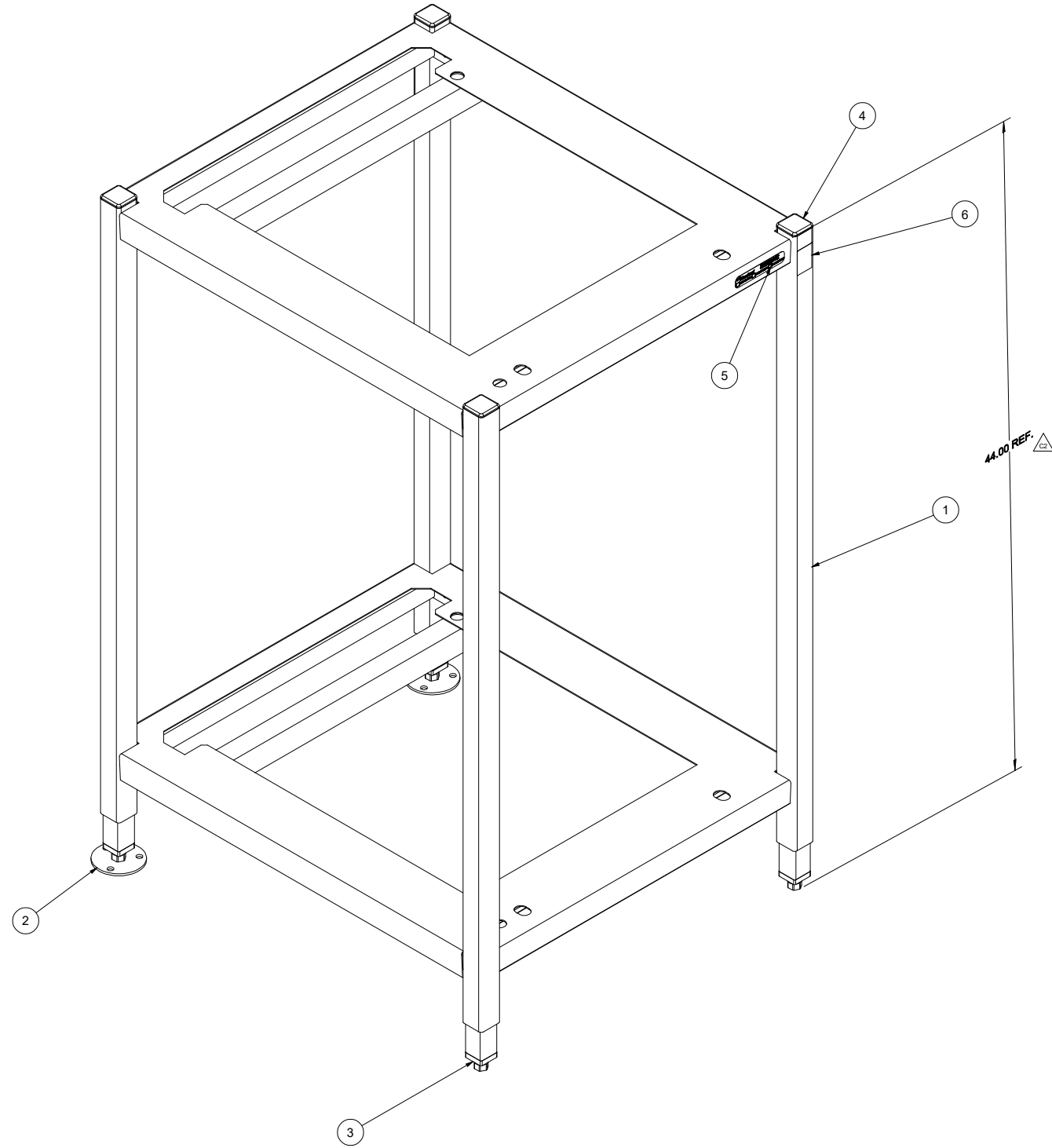




NOTE:
1) BEFORE APPLYING ITEM 5 TO THE STAND, PUNCH OUT THE SQUARE TO THE LEFT OF ES26304466G 

LET.	DESCRIPTION	DATE	BY
B	CREATED DRAWING, ITEM 5 WAS 111473; PER ECR-08-267	03-03-10	MM
C	1) ADDED SALES MODEL NO. IN TITLE BLOCK, 2) ADDED	08-27-10	DS
-	44" REF. DIM, 3) ADDED NOTE 1,	-	-
-	4) ITEM 11 WAS PIN 19444, WAS QTY 2; PER ECR-12-136	04-18-12	TJW



	NOT SHOWN	11	1	113856	CARTON, COMBI STAND, 29 3/4 X 28 X 47 HIGH
	NOT SHOWN	10	1	41946	PALLET, SHIPPING SERVICE BOILER
	NOT SHOWN	9	4	100144	SEAT, 1/2" BANDING
	NOT SHOWN	8	0.026	01024	SRTAP; 2200' ROLL; .024 X 5/8 X 16 X 3 PLYESTER
	NOT SHOWN	7	1	113124	KIT; GAS CHEF-ES STACKED SHEETMETAL AND PLUMBING
		6	1	110587	LABEL, SANITATION, UL CLASS. NSF #2
SEE NOTE 1 		5	1	113307	LABEL, EQUIPMENT STAND, ES26304466E, ES26304439G, ES26304466G
		4	4	111455	PLUG, 1-1/2" SQUARE, RIBBED
		3	2	100241	FOOT, ADJUSTABLE (FOR 1.250 SQ. TUBE)
		2	2	100413	FOOT ASSY, ADJUSTABLE (FOR 1.250 SQ. TUBING), ANCHORABLE TIEDOWN
		1	1	111486	WELDMNT, FRAME & SHELVES, STACKING STAND, STEAMCHEF 6

ITEM	QTY	PART NO.	DESCRIPTION
CLEVELAND RANGE, LLC 1333 East 179th St., Cleveland, Ohio 44110-2574			
<small>THIS DRAWING DESCRIBES A PROPRIETARY ITEM AND IS THE PROPERTY OF CLEVELAND RANGE. THE DRAWING IS NOT TO BE COPIED OR USED WITHOUT THE APPROVAL OF CLEVELAND RANGE.</small>			
TOLERANCES <small>(UNLESS OTHERWISE NOTED)</small> DECIMAL ± 0.030 ANGULAR $\pm 1^\circ$	DO NOT SCALE PRINTED DRAWINGS	DRAWN BY MM	DATE 3/3/2010
TITLE EQUIPMENT STAND, ASSEMBLY GAS (22CGT3.1/6.1) STACKED (ES26304466G)		SIZE D	DRAWING NO. 113130G
		SHEET 1 OF 1	REV C