

**Instructions for Installation of
Conversion Kits
22CGT3.1 and 22CGT6.1
114767 and 114768**

WARNING

This conversion kit shall be installed by a qualified service agency in accordance with the manufacturer's instructions and all applicable codes and requirements of the authority having jurisdiction. If the information in these instructions is not followed exactly, a fire, an explosion or production of carbon monoxide may result causing property damage, personal injury or loss of life. The qualified service agency is responsible for the proper installation of this kit. The installation is not proper and complete until the operation of the converted appliance is checked as specified in the manufacturer's instructions supplied with the kit.

<<AVERTISSEMENT

Cette trousse de conversion doit être installée par un service d'entretien qualifié, selon les instructions du fabricant et selon toutes les exigences et tous les codes pertinent de l'autorité compétente. Assurez-vous de bien suivre les instructions dans cette notice pour réduire au minimum le risqué d'incendie, d'explosion ou la production de monoxyde de carbone pouvant causer des dommages matériels, des blessures ou la mort. Le service d'entretien qualifié est responsable de l'installation de cette trousse. L'installation n'est pas adéquate ni complète tant que le bon fonctionnement de l'appareil converti n'a pas été vérifié selon les instructions du fabricant fournies avec la trousse.>>

1333 East 179th Street
Cleveland, Ohio 44110

Phone: (216) 481-4900
Fax: (216) 481-3782
www.clevelandrange.com

The logo for Cleveland Range, featuring a stylized 'C' symbol to the left of the word 'Cleveland' in a bold, italicized sans-serif font.

GENERAL INSTRUCTIONS FOR ALL KITS

The kits described in these instructions are for converting the following models:

22CGT3.1

22CGT6.1

The kits described in these instructions are intended for installation on models used at altitudes less than 2000 ft (610m). For higher altitudes, consult the factory for additional conversion requirements.

Read the entire installation procedure for the applicable kit before beginning the installation.

CAUTION: The gas supply shall be shut off prior to disconnecting the electrical power, before proceeding with the conversion.

TABLE OF CONTENTS

PROPANE TO NATURAL CONV 114767	2 of 10
NATURAL TO PROPANE CONV 114768	2 of 10
INSTALLATION PROCEDURE	3 of 10

CAUTION: Verify that you have both the proper conversion kit and the correct kit contents before proceeding with the conversion. Also, verify correct gas supply pressure. (4.5" and 14.0" w.c. for natural gas; 11.0" and 14.0" w.c for propane.

22CGT3.1/22CGT6.1 PROPANE TO NATURAL CONVERSION KIT CONTENTS 114767

PART NUMBER	DESCRIPTION	QUANTITY
1304301	PACKING CARTON	1
1118521	ORIFICE 1.55 mm DMS	3
113352	LABEL, GAS CONVERSION KIT DATA	1
113353	LABEL, GAS CONVERSION BY, DATE INFO	1
113440	LABEL, GAS CONVERSION, DEVICE	2
23429	WIRE TIRE, NYLON	2
260BFS	INSTRUCTIONS, GAS CONVERSION, MCO	1

22CGT3.1/22CGT6.1 NATURAL TO PROPANE CONVERSION KIT CONTENTS 114768

PART NUMBER	DESCRIPTION	QUANTITY
1304301	PACKING CARTON	1
1118551	ORIFICE 1.30mm	3
113352	LABEL, GAS CONVERSION KIT DATA	1
113353	LABEL, GAS CONVERSION BY, DATE INFO	1
113440	LABEL, GAS CONVERSION, DEVICE	2
23429	WIRE TIRE, NYLON	2
260BFS	INSTRUCTIONS, GAS CONVERSION, MCO	1

INSTALLATION PROCEDURE

- 1) CAUTION: Shut off gas supply PRIOR to disconnecting electrical power. Then proceed with the conversion procedure after reviewing entire installation procedure.
- 2) Remove the right side panel and burner access panel assemblies so you can see the burner box assembly and the gas manifold inside the steamer. Refer to the exploded view, lower front view, and side views on pages 6-9 for reference purposes.
- 3). Disconnect gas line at compression fitting on burner box sides so it is easier to move the burner box covers out of the way. Refer to view of burner box on page 11 for reference purposes.
- 4) Replace orifices inside burner box assembly with orifices in the conversion kit. It may be necessary to loosen the screws on side of burner box that hold the burners in place so orifices can be replaced. Gently move the burner support up and to the back so the burner tube rings no longer encircle the orifices. Remove the three orifices in the manifold inside the burner boxes and replace with the ones included in the kit Use pipe thread sealant approved for gas fuels on the orifice threads.
- 5) After installing the replacement orifices, move the burner support up and back so the rings at the end of the burners encircle the orifices. Reinstall burners so orifices fit inside the ring at end of burners and tighten side mount screws.
- 6) Reconnect electrical power, then turn on gas supply. Turn on steamer.
- 7) Perform leak test using leak test solution on all joints in the gas supply, especially the compression fitting connecting the gas supply tube to the manifold and the orifices that have been replaced. Tighten any leaking joints if necessary.
- 8) Unscrew the plug on the outlet pressure tap on the gas valve and connect manometer. Unscrew pressure regulator cap on gas valve.
- 9) Increase pressure by turning the spring cap clockwise or decrease pressure by turning the spring cap counter clockwise unit pressure is correct (Natural Gas 3.5 in wc, LP 3.5 in wc). This unit uses the same manifold pressure for both propane and natural gas. Disconnect manometer, replace pressure tap plug and pressure regulator cap.

NOTE: Verify that the flame is blue when full ignition takes place.

- 13) Complete gas conversion labels 113352 and 113353 and apply them near the original rating plate – either to the inside surface of the lower front combustion cover, or to the lower-back corner of the left exterior side panel, whichever applies. Avoid covering the original rating plate, louvers, or other labels.



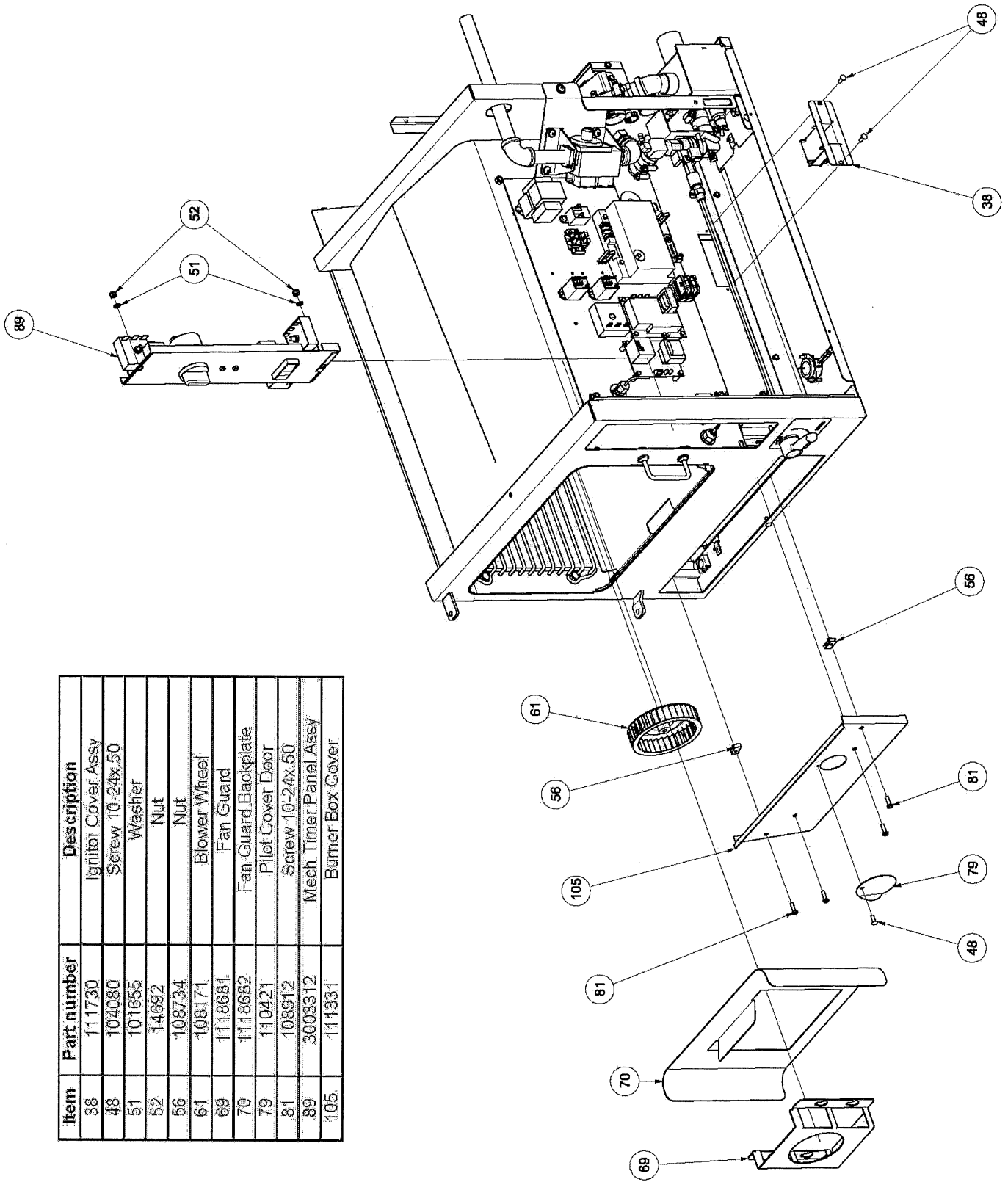
		Cleveland Range, LLC, Cleveland, Ohio, USA	
Model No.	CONSULT RATING PLATE	Serial No.	CONSULT RATING PLATE
No. de Modèle	CONSULTEZ-VOUS	No. de Série	CONSULTEZ-VOUS
	LA PLAQUE SIGNALÉTIQUE		LA PLAQUE SIGNALÉTIQUE
This appliance was converted to <input type="text" value="NATURAL"/> gas			
Cet appareil a été convertie au gaz			
With Kit No.	<input type="text" value="114767"/>		
À l'aide de la trousse no			
Btu/hr	<input type="text" value="32,000"/>		
Btu/h			
Manifold pressure W.C.	<input type="text" value="3.5"/>		
Pression d'alimentation CE			
Inlet gas pressure W.C. min.	<input type="text" value="4.5"/>	max.	<input type="text" value="14.0"/>
Pression d'arrivée de gaz CE			
113352			

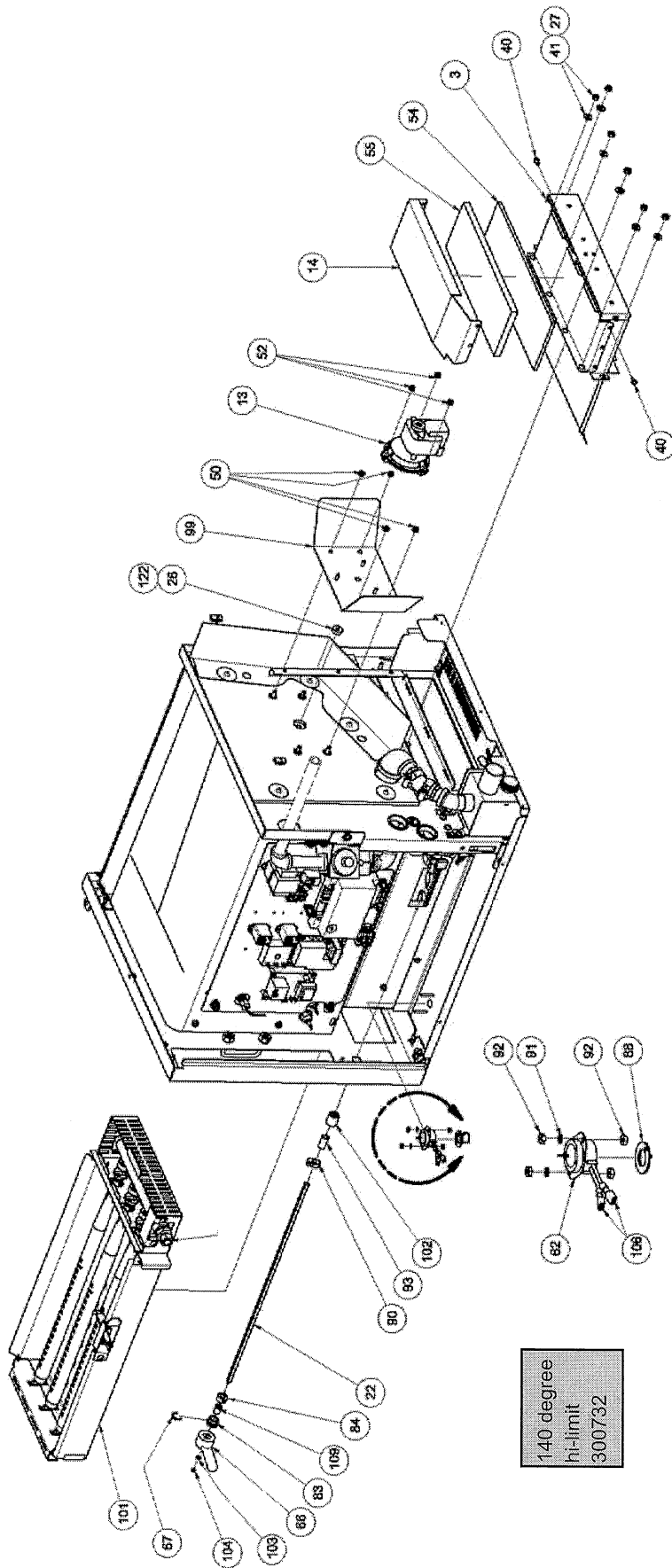
This appliance was converted on		<input type="text" value="DAY"/>	<input type="text" value="MONTH"/>	<input type="text" value="YEAR"/>
<<Cet appareil a été convertie le		Day/Anné	Month/Mois	Year/Jour
to		<input type="text" value="NATURAL"/> gas		
pour fonctionner au gaz				
with kit no	<input type="text" value="114767"/>			
à l'aide de la trousse				
by	<input type="text" value="YOUR COMPANY NAME"/>			
par	Name of Organization / Nom de L'Organisme			
of	<input type="text" value="YOUR COMPANY ADDRESS"/>			
de	Address of Organization / Adresse de L'Organisme			
which accepts the responsibility that this conversion has been properly made.				
qui accepte l'entière responsabilité de la qualité de la conversion.>>				
113353 B				

14) Fill in the appropriate gas on labels 113440. Place one on the manifold and the other on the gas valve. Replace the lower front panel, left side panel, and right side lower panel assemblies.

15) The conversion is complete. Any leftover parts may be discarded.

Item	Part number	Description
38	111730	Ignitor Cover Assy
48	104080	Screw 10-24x.50
51	101655	Washer
52	14692	Nut
56	108734	Nut
61	108171	Blower Wheel
69	1118681	Fan Guard
70	1118682	Fan Guard Backplate
79	110421	Pilot Cover Door
81	108912	Screw 10-24x.50
89	3003312	Mech Timer Panel Assy
105	111331	Burner Box Cover



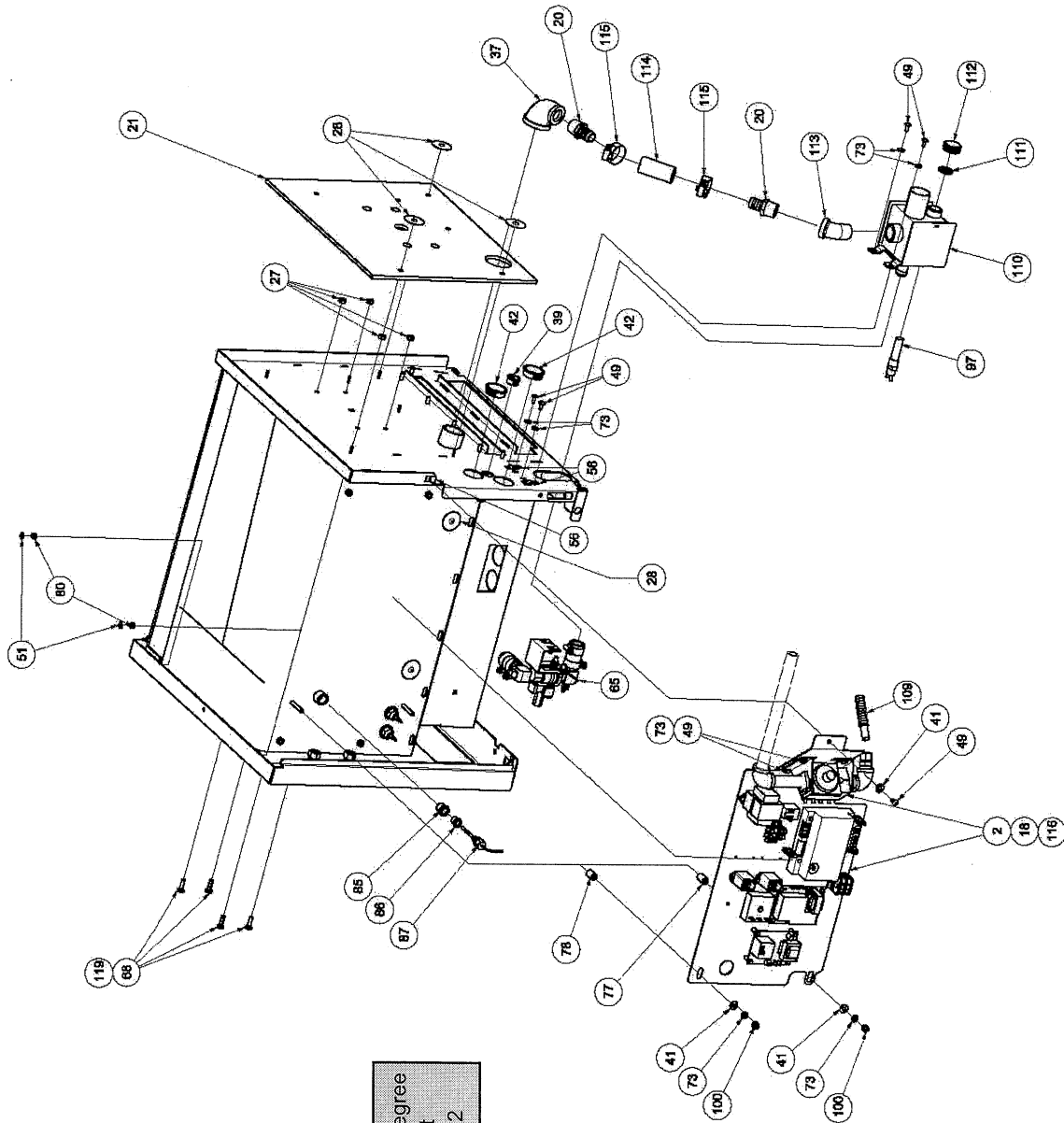


140 degree
hi-limit
300732

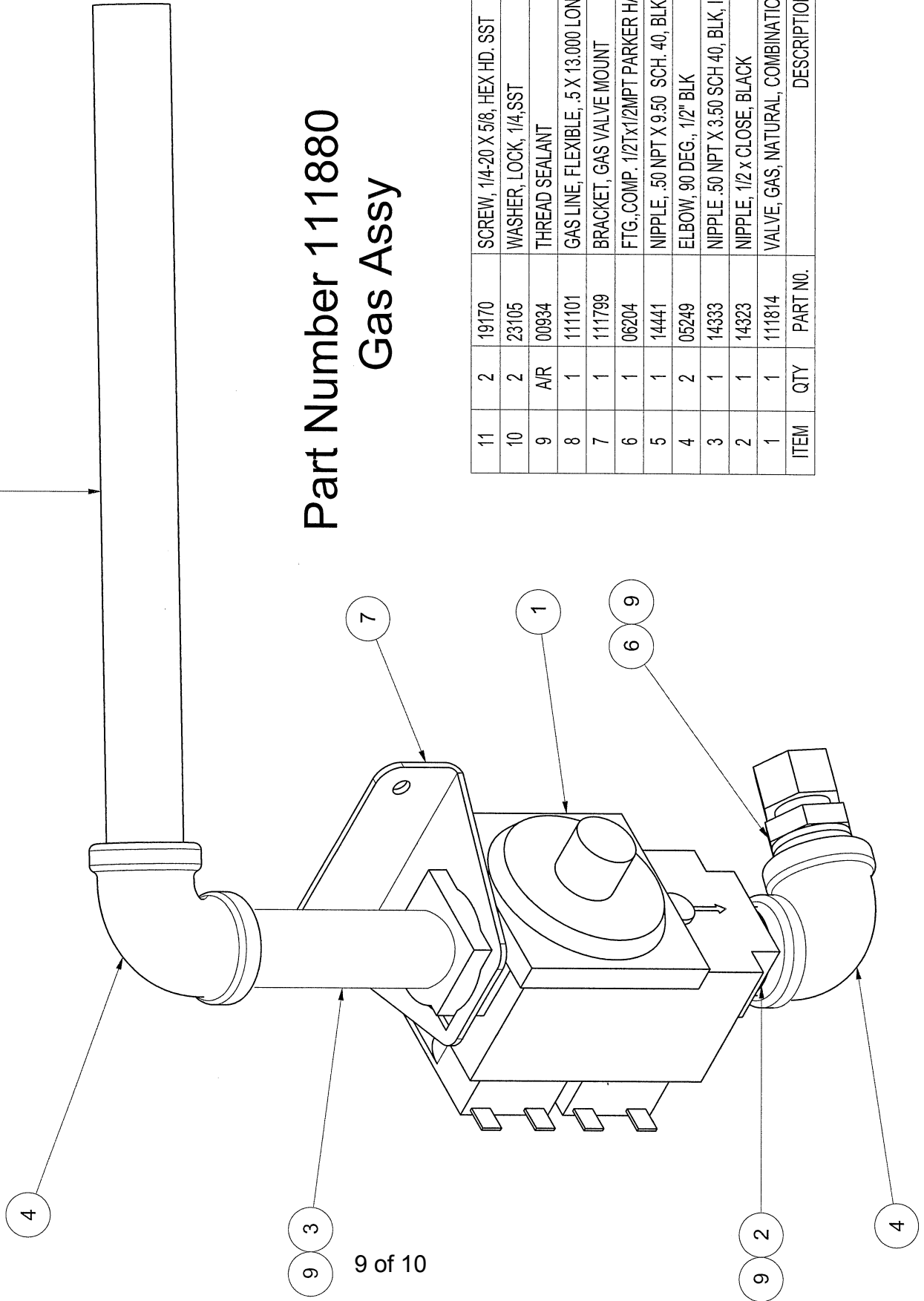
DETAIL B

Item	Part number	Description	Item	Part number	Description
3	112986	Flue Adapter Assy	83	112975	Base Pan
13	110683	Blower Motor	84	112260	Shaft Collar
14	112983	Flue Adapter Retainer	88	104082	Steam Injector Gasket
22	111351	Knob Shaft	90	106526	Hose Clamp
26	111272	Seal	91	101337	Lock Washer
27	14618	Nut 1/4-20	92	14598	Nut
40	19148	Screw#10x.50	93	112600	5/16 Neoprene Tubing
41	23116	Washer	99	112899	Motor Mounting Plate
50	101873	Nut 1/4-20	101	112992	Burner Tray Assy
52	14692	Nut 10-24	102	110713	9/16 Socket
54	113024	Flue Adapter Insulation Thin	103	101336	Washer
55	113023	Flue Adapter Insulation Thick	104	110749	Nut
62	300719	High Limit	106	20372	Terminal
66	1110694	Control Lever Spacer	109	112244	Bushing
67	102187	Retaining ring	122	111299	Food Grade Grease

Item	Part number	Description
2	111890	Gas Valve Assy Nat
18	300725	Component Panel Assy
20	06240	Hose Barb
21	111870	Rear Insulation
27	14618	Nut 1/4-20
28	101953	Insulation Clip
37	05270	Reducing Elbow 1/4x 3/4
39	02600	Bushing
41	23116	Washer
42	102581	Bushing
48	101231	Screw 10-24x.50
51	101695	Washer
56	108734	Nut 1/4-20
65	113043	Drain Assy
68	111290	Shoulder Screw
73	23105	Lock Washer
77	19555	Spacer
78	19552	Spacer
80	14672	Lock Nut
85	02594	Bushing
86	02609	Bushing
87	108068	Thermocouple
87	106288	130 Deg Thermoswitch
100	14665	Nut 1/4-20
109	11244	Bushing
110	113038	Condenser Box
111	108094	Washer
112	106031	Cap
113	05282	45 Elbow
114	08511	3/4 Hose
115	03204	Hose clamp
116	300679	Component Panel Harness
119	00906	Loctite



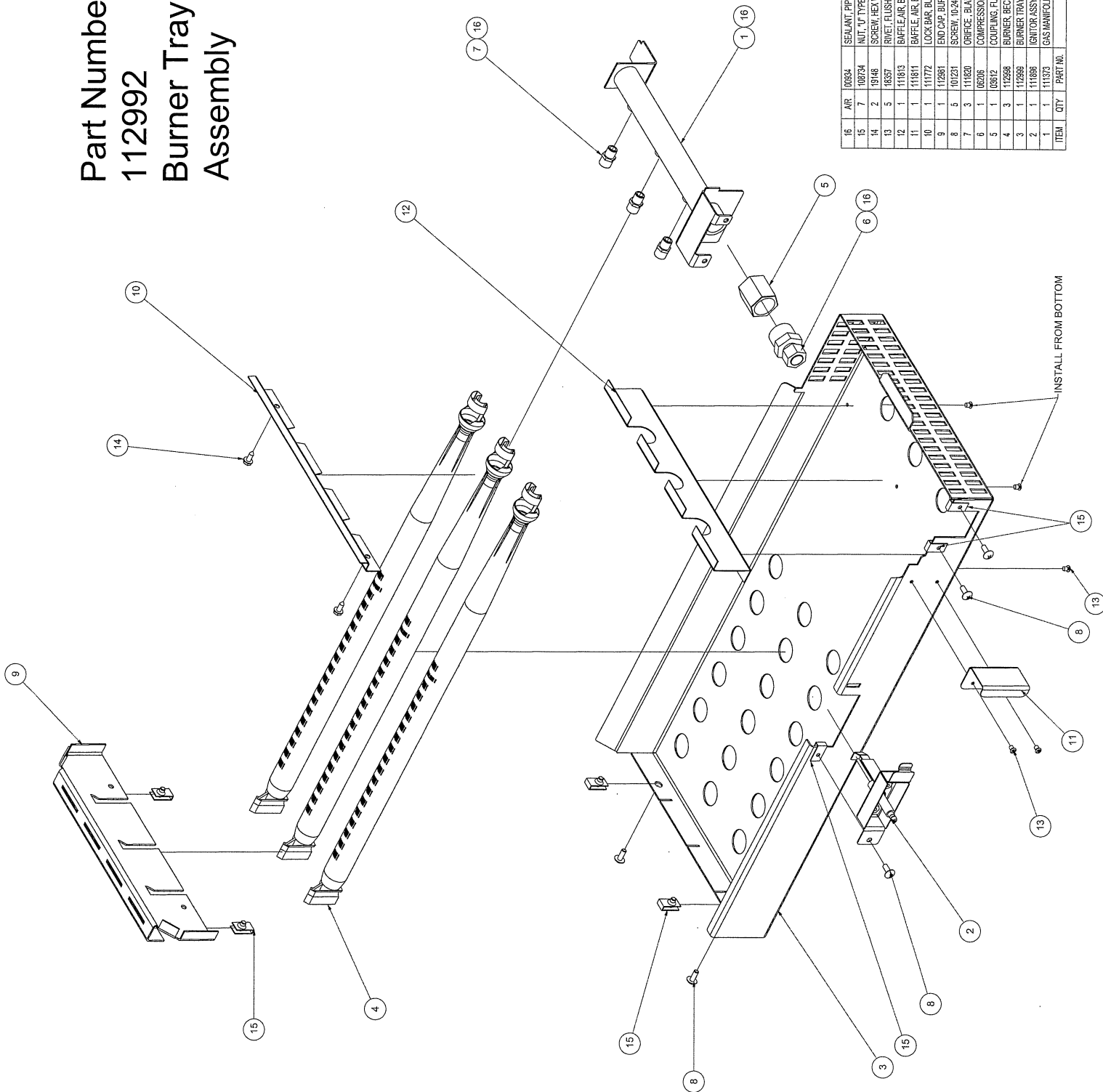
9
5



Part Number 111880 Gas Assy

ITEM	QTY	PART NO.	DESCRIPTION
11	2	19170	SCREW, 1/4-20 X 5/8, HEX HD. SST
10	2	23105	WASHER, LOCK, 1/4,SST
9	AIR	00934	THREAD SEALANT
8	1	111101	GAS LINE, FLEXIBLE, .5 X 13.000 LONG, SST
7	1	111799	BRACKET, GAS VALVE MOUNT
6	1	06204	FTG., COMP. 1/2TX1/2MPT PARKER HANIFIN 68CA-8-8
5	1	14441	NIPPLE, .50 NPT X 9.50 SCH. 40, BLK, TBE
4	2	05249	ELBOW, 90 DEG., 1/2" BLK
3	1	14333	NIPPLE .50 NPT X 3.50 SCH 40, BLK, IRN, TBE
2	1	14323	NIPPLE, 1/2 x CLOSE, BLACK
1	1	111814	VALVE, GAS, NATURAL, COMBINATION, 1/2" NPT, 24VAC

Part Number 112992 Burner Tray Assembly



ITEM	QTY	PART NO.	DESCRIPTION
16	1	00634	SEALANT, PIPE DOPE
15	7	100734	NUT, 1/2" TYPE EXTRUDED #10-24 UNC-2B THREAD
14	2	19148	SCREW, HEX WASHER HD, #10 X 1/2, TYPE AB, ZINC PLTD
13	5	18367	RINGET FLUSH BREAK, 0.125 DIA, 0.1250, 187 GRP, SST
12	1	111813	BAFFLE, AIR, BURNER SURROUND, H.L.
11	1	111811	BAFFLE, AIR, BURNER SURROUND, H.L.
10	1	111772	LOCK BAR, BURNER TUBE, CHEF, GAS, H.L.
9	1	112811	END CAP, BURNER TRAY
8	5	101231	SCREW, 10-24 X 0.500, SST, PHILLIPS TRUSS HEAD
7	3	111820	ORIFICE, BLANK, BECKETT BURNER
6	1	02016	COMPRESSION FTS
5	1	02612	COUPLING, FULL, 3/4" BR
4	3	112986	BURNER, BECKETT, TUBE, 1", STEANCHIEF
3	1	112992	BURNER TRAY, CHEF, 3/8" GAS H.L.
2	1	111899	IGNITOR ASSY, GAS CHEF
1	1	111873	GAS MANIFOLD WELDMENT, H.L.