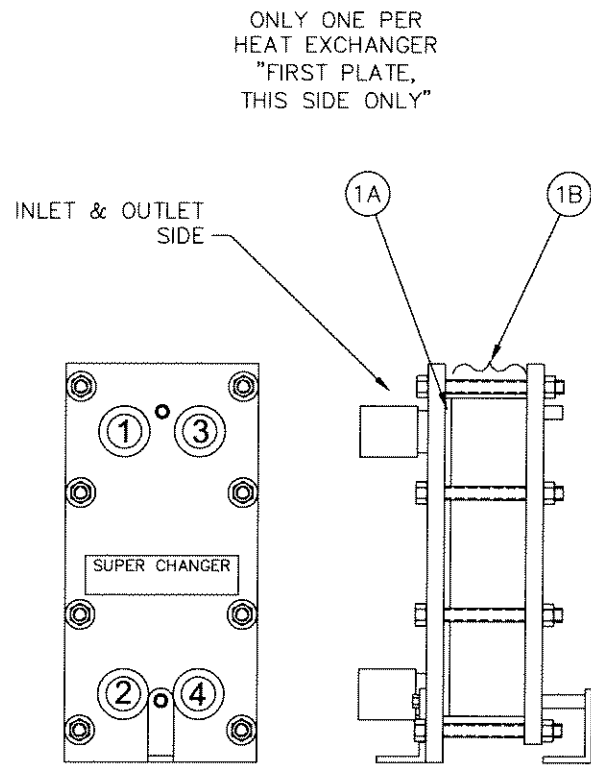


CT-2000, 2000# COOK TANK **REPLACEMENT PARTS DRAWINGS**

<u>DRAWING#:</u>	<u>DESCRIPTION:</u>	<u>SERIAL#:</u>
B600134	CT-2000 COOK TANK	8540,8684
B600039	ACTUATOR, HINGE, COVER	8540,8684
B600135	PLUMBING LINES, CT-2000	8540,8684
B600130	CT-1000-2000 CONTROL BOX W/DIGITAL INTERFACE	8540
B600133	CT-1000-2000 CONTROL BOX W/TOUCH SCREEN	8684
B600136	BASKET SYSTEM, CT-2000	8540,8684

<u>SERIAL#:</u>	<u>SYSTEM VOLTAGE:</u>
8540	460V-3PH-60HZ
8684	208V-3PH-60HZ



HEAT EXCHANGER PLATE LOCATION DETAIL

CT-2000 REPLACEMENT PARTS LIST		
ITEM	PART NO.	DESCRIPTION
1	MSC00-0000036	HEAT EXCHANGER
1A	MSS00-0000012	PLATE, REPLACEMENT, END PLATE
-	SED00-0000002	GASKET, REPLACEMENT, END PLATE
1B	MSS00-0000011	PLATE, REPLACEMENT, MID-PLATES
-	SED00-0000001	GASKET, REPLACEMENT, MID-PLATES
2	ELB01-0000013	SOLENOID
-	SP999-9900005	KIT, REPAIR
-	SP988-8800002	COIL, REPLACEMENT
3	ELB00-5000015	SOLENOID
-	SP999-9900002	KIT, REPAIR
-	SP988-8800002	COIL, REPLACEMENT
4	MSB01-0000001	STRAINER
-	MSB01-0000004	SCREEN, REPLACEMENT
5	MSB01-0000002	BALLVALVE
6	MSB02-0000004	BALLVALVE
7	ELB02-0000003	BALLVALVE, ELECTRIC ACTUATED
8	ELB01-0000014	SOLENOID
-	SP999-9900008	KIT, REPAIR
-	SP988-8800003	COIL, REPLACEMENT
9	VAB00-7500010	VALVE, SAFETY
10	MSC00-7500009	TRAP, STEAM
11	MSB00-7500004	VALVE, CHECK
12	TSENSOR00006	SENSOR, TEMPERATURE
13	ELH03-0000017	PUMP
-	2P800-0000009	KIT, REBUILD
14	MSB02-0000010	VALVE, BUTTERFLY
15	MSB02-0000009	METER, FLOW (OPTIONAL)
16	MSB00-5000004	VALVE, BALL
17	MSB02-0000001	STRAINER
-	MSB02-0000002	SCREEN, REPLACEMENT
18	ELB02-0000002	SOLENOID
-	SP999-9900092	KIT, REPAIR
-	SP988-8800001	COIL, REPLACEMENT

IN ORDER TO MAINTAIN A HIGH QUALITY OF SERVICE:

1. WHEN ORDERING A PART HAVE THIS INFORMATION READY AS WELL AS THE PART NUMBER:
SITE NAME/LOCATION, UNIT SERIAL NUMBER AND UNIT VOLTAGE.
2. CLEVELAND RANGE RESERVES THE RIGHT TO CHANGE ANY PART NUMBER WITHOUT NOTICE.
3. **OBsolete ITEMS ARE AVAILABLE AS REPLACEMENT PARTS BUT ARE NO LONGER USED IN CURRENT PRODUCTION MODELS.**

PROJECT	TITLE		PLUMBING LINES, CT-2000
	REVISIONS		REPLACEMENT PARTS
JOB NO.	DATE	LET.	CHECKED BY
DWG. NO. B600135			
DRAWN BY JES			
DATE 12-18-08			
SHEET 2 of 2			
SCALE NONE			

Cleveland

Cleveland Range LLC, Plant 3

1250 Reames Road, Baltimore, Maryland U.S.A. 21220, PH(410) 391-3600, FAX(410) 391-9042

THIS DRAWING DESCRIBES A CONFIDENTIAL & PROPRIETARY ITEM AND/OR PROJECT AND IS THE PROPERTY OF CLEVELAND RANGE. THIS DRAWING IS NOT TO BE COPIED OR USED WITHOUT THE PREVIOUS WRITTEN APPROVAL OF CLEVELAND RANGE.



CONTROL BOX WITH CL-20 DIGITAL INTERFACE

CT-1000 CONTROL BOX REPLACEMENT PARTS		
ITEM	PART NO.	DESCRIPTION
1	MSJ00-0000005	24 HOUR CHART PAPER 'F
2	EL8C0-0000042	PARTLOW 8000, SINGLE PEN
-	EL977-7700019	REPLACEMENT PEN MOTOR
-	EL977-7700021	REPLACEMENT PEN ARM
-	EL977-7700018	REPLACEMENT CHART MOTOR
-	EL977-7700020	REPLACEMENT TOUCH PAD
-	ELP00-0000037	REPLACEMENT DOOR
-	ELP00-0000036	REPLACEMENT DOOR WINDOW
-	MSP00-0000002	RED REPLACEMENT PEN
-	MSP00-0000001	GREEN REPLACEMENT PEN
3	EL8C0-0000050	DIGITAL DISPLAY CONTROLLER
4	NPYELLOW00110	NAMEPLATE
5	2EP00-8800006	TURN SWITCH
6	NPRED00000019	NAMEPLATE WARNING
7	2EP00-8800011	RED INDICATOR LIGHT
-	ELV00-6000001	REPLACEMENT BULB
8	NPYELLOW00136	NAMEPLATE
9	EL8C0-0000069	PLC LINKING CABLE W/9 PIN PLUG
10	EL8C0-0000054	CONTROLLER W/O 9 PIN CONV. BOARD
-	EL8C0-0000068	9 PIN CONVERTER BOARD
11	EL8C0-0000053	24V POWER SUPPLY
12	EL8C0-0000051	DLC CONTROLLER
13	EL8C0-0000056	CUSTOM LINKING CABLE
14	ELPSW-0000007	LOW VOLTAGE DISCONNECT
15	ELPSW-0000001	HIGH VOLTAGE DISCONNECT
16	-----	MOTOR FUSE BY VOLTAGE
-	ELV06-0000010	FUSE, 208V
-	ELV06-0000001	FUSE, 460V
17	ELPSW-0000047	MOTOR STARTER
-	ELV00-0000004	HEATER PACK, 208V
-	ELV00-0000013	HEATER PACK, 460V
18	ELV02-5000011	FUSE
19	ELV02-5000001	FUSE
20	ELPSW-0000002	RELAY
-	ELPSW-0000003	BASE, RELAY

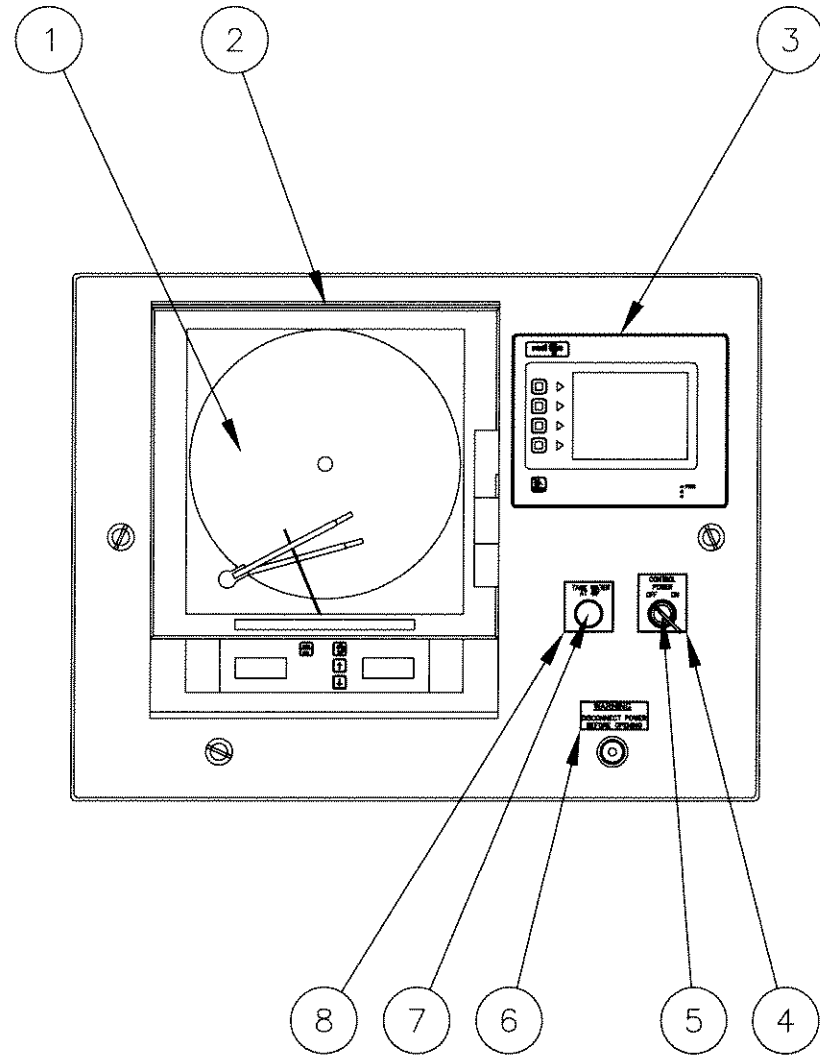
CT-2000 CONTROL BOX REPLACEMENT PARTS		
ITEM	PART NO.	DESCRIPTION
1	MSJ00-0000005	24 HOUR CHART PAPER 'F
2	EL8C0-0000042	PARTLOW 8000, SINGLE PEN
-	EL977-7700019	REPLACEMENT PEN MOTOR
-	EL977-7700021	REPLACEMENT PEN ARM
-	EL977-7700018	REPLACEMENT CHART MOTOR
-	EL977-7700020	REPLACEMENT TOUCH PAD
-	ELP00-0000037	REPLACEMENT DOOR
-	ELP00-0000036	REPLACEMENT DOOR WINDOW
-	MSP00-0000002	RED REPLACEMENT PEN
-	MSP00-0000001	GREEN REPLACEMENT PEN
3	EL8C0-0000050	DIGITAL DISPLAY CONTROLLER
4	NPYELLOW00110	NAMEPLATE
5	2EP00-8800006	TURN SWITCH
6	NPRED00000019	NAMEPLATE WARNING
7	2EP00-8800011	RED INDICATOR LIGHT
-	ELV00-6000001	REPLACEMENT BULB
8	NPYELLOW00136	NAMEPLATE
9	EL8C0-0000069	PLC LINKING CABLE W/9 PIN PLUG
10	EL8C0-0000054	CONTROLLER W/O 9 PIN CONV. BOARD
-	EL8C0-0000068	9 PIN CONVERTER BOARD
11	EL8C0-0000053	24V POWER SUPPLY
12	EL8C0-0000051	DLC CONTROLLER
13	EL8C0-0000056	CUSTOM LINKING CABLE
14	ELPSW-0000007	LOW VOLTAGE DISCONNECT
15	ELPSW-0000001	HIGH VOLTAGE DISCONNECT
16	-----	MOTOR FUSE BY VOLTAGE
-	ELV06-0000004	FUSE, 208V
-	ELV06-0000010	FUSE, 460V
17	ELPSW-0000047	MOTOR STARTER
-	ELV00-0000012	HEATER PACK, 208V
-	ELV00-0000001	HEATER PACK, 460V
18	ELV02-5000011	FUSE
19	ELV02-5000001	FUSE
20	ELPSW-0000002	RELAY
-	ELPSW-0000003	BASE, RELAY

IN ORDER TO MAINTAIN A HIGH QUALITY OF SERVICE:

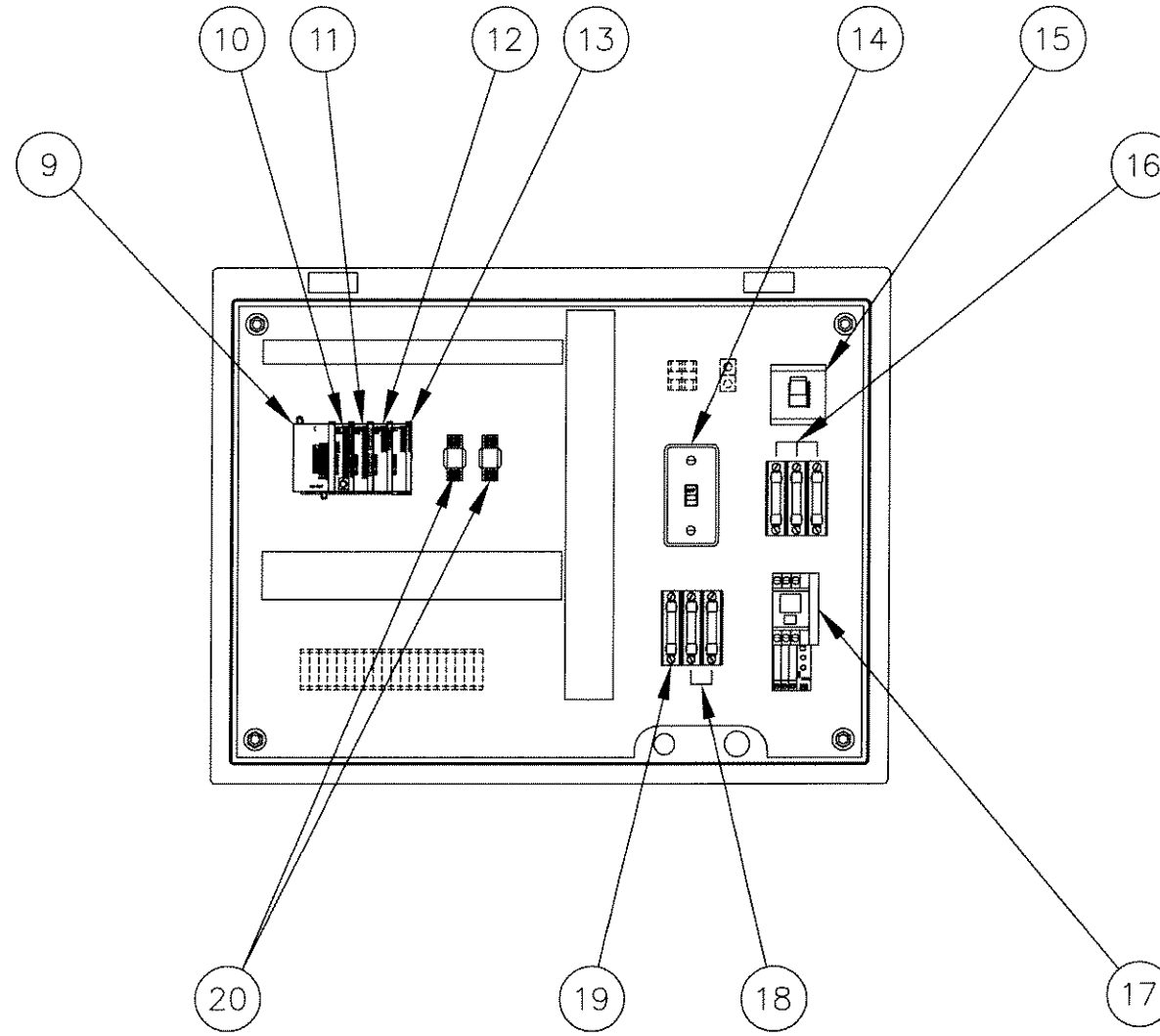
1. WHEN ORDERING A PART HAVE THIS INFORMATION READY AS WELL AS THE PART NUMBER:
SITE NAME/LOCATION, UNIT SERIAL NUMBER AND UNIT VOLTAGE.
2. CLEVELAND RANGE RESERVES THE RIGHT TO CHANGE ANY PART NUMBER WITHOUT NOTICE.
3. **OBsolete ITEMS ARE AVAILABLE AS REPLACEMENT PARTS BUT ARE NO LONGER USED IN CURRENT PRODUCTION MODELS.**

PROJECT	TITLE CT-1000-2000 CONTROL BOX W/DIGITAL INTERFACE REPLACEMENT PARTS	JOB NO.	
JOB NO.	DWG. NO. B600130 DRAWN BY JES DATE 12-17-08 SHEET 2 of 2 SCALE NONE	SHEET	SCALE
		CHECKED BY	REV -
		Cleveland Range LLC, Plant 3 1250 Reames Road, Baltimore, Maryland U.S.A. 21220, PH(410) 391-3600, FAX(410) 391-9042	
THIS DRAWING DESCRIBES A CONFIDENTIAL & PROPRIETARY ITEM AND/OR PROJECT AND IS THE PROPERTY OF CLEVELAND RANGE. THIS DRAWING IS NOT TO BE COPIED OR USED WITHOUT THE PREVIOUS WRITTEN APPROVAL OF CLEVELAND RANGE.			

CONTROL BOX WITH G-306 TOUCH SCREEN



CONTROL BOX EXTERIOR



CONTROL BOX INTERIOR

PROJECT

JOB NO.

TITLE		CT-1000 & 2000 CONTROL BOX, TOUCH SCREEN REPLACEMENT PARTS	
LET.	DATE	REVISIONS	JOB NO.
			DWG. NO. B600133
			DRAWN BY JES
			DATE 2-18-08
			SHEET 1 of 2
			SCALE NONE
CHECKED BY		REV	



Cleveland

Cleveland Range LLC, Plant 3
1250 Reames Road, Baltimore, Maryland U.S.A. 21220, PH(410) 391-3600, FAX(410) 391-9042

THIS DRAWING DESCRIBES A CONFIDENTIAL & PROPRIETARY ITEM AND/OR PROJECT AND IS THE PROPERTY OF CLEVELAND RANGE.
THIS DRAWING IS NOT TO BE COPIED OR USED WITHOUT THE PREVIOUS WRITTEN APPROVAL OF CLEVELAND RANGE.

SHEET

1 of 2


CONTROL BOX WITH G-306 TOUCH SCREEN

CT-1000 CONTROL BOX REPLACEMENT PARTS		
ITEM	PART NO.	DESCRIPTION
1	MSJ00-0000005	24 HOUR CHART PAPER 'F'
2	EL8C0-0000042	PARTLOW 8000, SINGLE PEN
-	EL977-7700019	REPLACEMENT PEN MOTOR
-	EL977-7700021	REPLACEMENT PEN ARM
-	EL977-7700018	REPLACEMENT CHART MOTOR
-	EL977-7700020	REPLACEMENT TOUCH PAD
-	ELP00-0000037	REPLACEMENT DOOR
-	ELP00-0000036	REPLACEMENT DOOR WINDOW
-	MSP00-0000002	RED REPLACEMENT PEN
-	MSP00-0000001	GREEN REPLACEMENT PEN
3	EL8C0-0000095	TOUCH SCREEN
4	NPYELLOW00110	NAMEPLATE
5	2EP00-8800006	TURN SWITCH
6	NPRED00000019	NAMEPLATE WARNING
7	2EP00-8800011	RED INDICATOR LIGHT
-	ELV00-6000001	REPLACEMENT BULB
8	NPYELLOW00136	NAMEPLATE
9	EL8C0-0000086	24 VOLT POWER SUPPLY
10	EL8C0-0000085	PROGRAMMABLE CONTROLLER
11	EL8C0-0000096	EXPANDER
12	EL8C0-0000097	EXPANDER
13	EL8C0-0000098	EXPANDER
14	ELPSW-0000007	LOW VOLTAGE DISCONNECT
15	ELPSW-0000001	HIGH VOLTAGE DISCONNECT
16	-----	MOTOR FUSE BY VOLTAGE
-	ELV06-0000010	FUSE, 208V
-	ELV06-0000001	FUSE, 460V
17	ELPSW-0000047	MOTOR STARTER
-	ELV00-0000004	HEATER PACK, 208V
-	ELV00-0000013	HEATER PACK, 460V
18	ELV02-5000011	FUSE
19	ELV02-5000001	FUSE
20	ELPSW-0000002	RELAY
-	ELPSW-0000003	BASE, RELAY

CT-2000 CONTROL BOX REPLACEMENT PARTS		
ITEM	PART NO.	DESCRIPTION
1	MSJ00-0000005	24 HOUR CHART PAPER 'F'
2	EL8C0-0000042	PARTLOW 8000, SINGLE PEN
-	EL977-7700019	REPLACEMENT PEN MOTOR
-	EL977-7700021	REPLACEMENT PEN ARM
-	EL977-7700018	REPLACEMENT CHART MOTOR
-	EL977-7700020	REPLACEMENT TOUCH PAD
-	ELP00-0000037	REPLACEMENT DOOR
-	ELP00-0000036	REPLACEMENT DOOR WINDOW
-	MSP00-0000002	RED REPLACEMENT PEN
-	MSP00-0000001	GREEN REPLACEMENT PEN
3	EL8C0-0000095	TOUCH SCREEN
4	NPYELLOW00110	NAMEPLATE
5	2EP00-8800006	TURN SWITCH
6	NPRED00000019	NAMEPLATE WARNING
7	2EP00-8800011	RED INDICATOR LIGHT
-	ELV00-6000001	REPLACEMENT BULB
8	NPYELLOW00136	NAMEPLATE
9	EL8C0-0000086	24 VOLT POWER SUPPLY
10	EL8C0-0000085	PROGRAMMABLE CONTROLLER
11	EL8C0-0000096	EXPANDER
12	EL8C0-0000097	EXPANDER
13	EL8C0-0000098	EXPANDER
14	ELPSW-0000007	LOW VOLTAGE DISCONNECT
15	ELPSW-0000001	HIGH VOLTAGE DISCONNECT
16	-----	MOTOR FUSE BY VOLTAGE
-	ELV06-0000004	FUSE, 208V
-	ELV06-0000010	FUSE, 460V
17	ELPSW-0000047	MOTOR STARTER
-	ELV00-0000012	HEATER PACK, 208V
-	ELV00-0000001	HEATER PACK, 460V
18	ELV02-5000011	FUSE
19	ELV02-5000001	FUSE
20	ELPSW-0000002	RELAY
-	ELPSW-0000003	BASE, RELAY

IN ORDER TO MAINTAIN A HIGH QUALITY OF SERVICE:

1. WHEN ORDERING A PART HAVE THIS INFORMATION READY AS WELL AS THE PART NUMBER:
SITE NAME/LOCATION, UNIT SERIAL NUMBER AND UNIT VOLTAGE.
2. CLEVELAND RANGE RESERVES THE RIGHT TO CHANGE ANY PART NUMBER WITHOUT NOTICE.
3. **OBsolete ITEMS ARE AVAILABLE AS REPLACEMENT PARTS BUT ARE NO LONGER USED IN CURRENT PRODUCTION MODELS.**

PROJECT	CT-1000 & 2000 CONTROL BOX, TOUCH SCREEN REPLACEMENT PARTS	JOB NO.	
LET.	DATE	REVISIONS	JOB NO.
			DWG. NO. B600133
			DRAWN BY JES
			DATE 2-18-08
			SHEET 2 of 2
			SCALE NONE
		CHECKED BY	REV -
 Cleveland			
Cleveland Range LLC, Plant 3 1250 Reames Road, Baltimore, Maryland U.S.A. 21220, PH(410) 391-3600, FAX(410) 391-9042			
THIS DRAWING DESCRIBES A CONFIDENTIAL & PROPRIETARY ITEM AND/OR PROJECT AND IS THE PROPERTY OF CLEVELAND RANGE. THIS DRAWING IS NOT TO BE COPIED OR USED WITHOUT THE PREVIOUS WRITTEN APPROVAL OF CLEVELAND RANGE.			
JOB NO.	SHEET		2 of 2

