

# SteamCraft® Ultra 3 Stacked

TWO COMPARTMENT, TWIN ELECTRIC STEAM GENERATOR, 8 KW EACH

Project \_\_\_\_\_  
 Item \_\_\_\_\_  
 Quantity \_\_\_\_\_  
 FCSI Section 11400 \_\_\_\_\_  
 Approved \_\_\_\_\_  
 Date \_\_\_\_\_

Steamcraft® Generator Style High Speed Convection Steamers

## Models

- (2)21-CET-8



## Standard Features

- Cooking Capacity for up to three 12" x 20" x 2 1/2" deep Cafeteria Pans per compartment.
- Open Base Style unit features a slender 21" wide space saving design. (see options and accessories for cabinet base)
- Innovative Electric Steam Generator: Twin vertical electric atmospheric steam generators operate independently. Two 8.5 KW Fire Bar Heating Elements per generator. Strong 14 Gauge Stainless Steel Construction. Each generator is fully insulated.
- Easy Access Generator Cleaning Port: Two generator cleaning ports located on the outside top of the unit.
- Instant Steam Standby Mode: Holds generator at steaming temperature. Allows unit to start cooking instantly.
- Durable 14 Gauge Stainless Steel Construction: For compartment door, cavity, front and steam generator.
- Two 60 Minute Electro-Mechanical Timer & Switch for manual operation. Audible signal for cooking time completion.
- Separate Main Power Switch for "On/Off".
- Exclusive Steam Cooking Distribution System: Exclusive Convection Jets produce a high velocity convection steam without fans. Coved Corner design in cooking compartment distributes heat evenly and is easy to keep clean. Creased top & bottom enhance drainage. Cold Water Condenser for each compartment maintains a dry steam. Fully-insulated cooking compartment for thermal efficiency. Removable Stainless Steel Slide Racks for easy cleaning.
- Exclusive "Cool to the Touch" Compartment Door Design: Free floating inner door with reversible door gasket provides an air tight seal. Stainless Steel Slam/Latch Door Latch mechanism for reliability.
- Automatic Generator Drain: Contains a "Water Jet" Spray Rinse Cleaning Cycle to keep drain line clear.
- Left-Hand Door Hinging: Compartment Doors hinged left, controls on the right.
- Exclusive Automatic Remote Probe Type Water Level Control: Separate from the generator for easy access.
- Stainless Steel Adjustable Legs: With level adjustment and rear flanged feet for bolting to floor.
- Available in most voltages, single and three phase.
- Compartment Door Steam Shut Off Switch (SCS)

## Short Form Specifications

Shall be CLEVELAND, Two compartment, SteamCraft® Ultra 3 Stacked, Floor model steamer, Model (2)21-CET-8, \_\_\_\_\_Volts, \_\_\_\_\_Phase. 60 minute mechanical timer, Steam Standby mode. Heavy duty all stainless steel construction. Rear mounted, insulated steam generator with Remote Probe Type Water Level Controls and Automatic Steam Generator. Blowdown with "Water Jet" drain cleaning feature.

## Options & Accessories

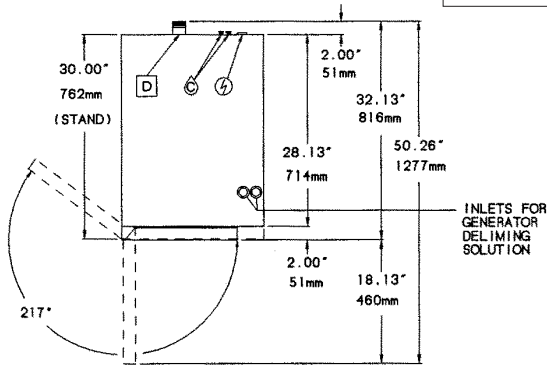
- Right-Hand Door Hinging, Controls on the Left (DHR)
- Electronic Timer with Compensating Load Feature. (ETC)
- Cafeteria pans in depths of 1", 2 1/2", 4" and 6"
- Dissolve® Descale Solution, 6 one gallon container w/ quart markings (106174)
- Voltages other than standard.
- Water Filters

**COMPARTMENT HAS CAPACITY FOR:**

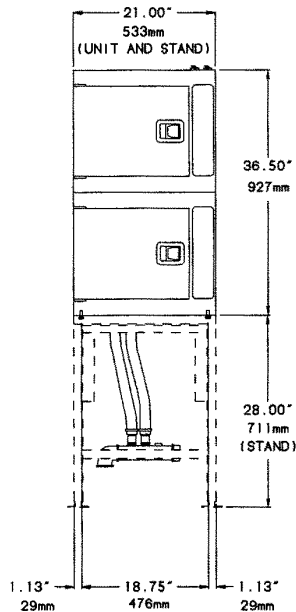
- Three, 12" x 20" x 21/2" deep Cafeteria Pans
- Two, 12" x 20" x 4" deep Cafeteria Pans
- One, 12" x 20" x 6" deep Cafeteria Pans

**NEW WATER QUALITY REQUIREMENTS (Boilers, Generators)**

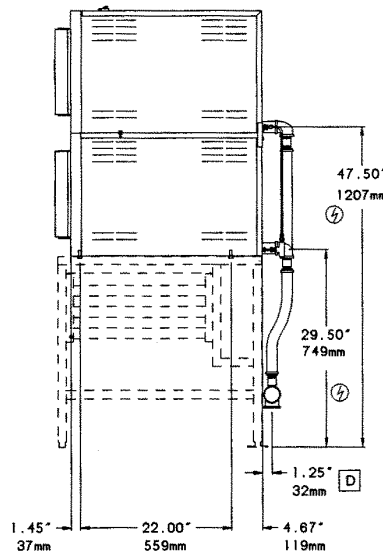
TDS:	50-125 ppm
Hardness:	50 - 125 mm (3 - 6 gpg)
pH value:	7.0 - 8.5
CL (Chloride):	max 25 ppm
Cl2 (free chlorine):	max 0.1 ppm
SiO42 (sulfate):	max 150 ppm
Fe (iron):	max 0.1 ppm
SiO2 (silica):	max 13 ppm
NH2Cl: (mono-chloramine)	max 0.1 ppm
Total Alkalinity:	50 - 100 ppm
Water Pressure	35 - 80 PSI
Temperature:	max 104°F



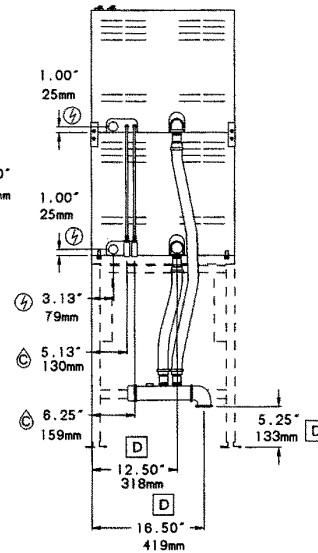
TOP VIEW



FRONT VIEW



RIGHT SIDE VIEW



REAR VIEW

**\*Note:** The diagrams above are shown with the model (2)21-CET-8 mounted on the optional ES21301S Stacking Equipment Stand.

ELECTRIC ⚡ ⚡				WATER 💧				DRAINAGE 📦		CLEARANCE	
Two separate electrical connections are required				Cold water: 35 psi min., 60 psi max.				1½" N.P.T. tube Do not connect other units to this drain. Drain line must be vented. No PVC pipe for drain.		Right - 3", Left - 3", Rear - 3" (12" on control side if adjoining wall or equipment is over 30" high for service access) <b>Contact factory for variances to clearances.</b>	
<b>3 Ph</b>				Two 3/4" NH-F (Garden Thread) Connections. Use NSF approved hose. - one for Condenser - one for Steam Generator							
3 Ph											
Volts	Watts each/total	Amps each/total	Wire	Volts	Watts each/total	Amps each/total	Wire				
208	8,300/16600	39.9/79.8	2	208	8,300/16600	23.6/47.2	3				
220	6,974/13948	31.7/63.4	2	240	8,300/16600	20.5/41.0	3				
240	8,300/16600	34.6/69.2	2	440	6,974/13948	9.4/18.8	3				
				480	8,300/16600	10.3/20.6	3				

**NOTES:**

Cleveland Range reserves right of design improvement or modification, as warranted.  
Many regional, state and local codes exist and it is the responsibility of the owner and installer to comply with the codes.  
Cleveland Range equipment is built to comply with applicable standards for manufacturers. Included among those approval agencies are U.L./NSF#4 and CSA (AGA, CGA).

(NOT TO SCALE)