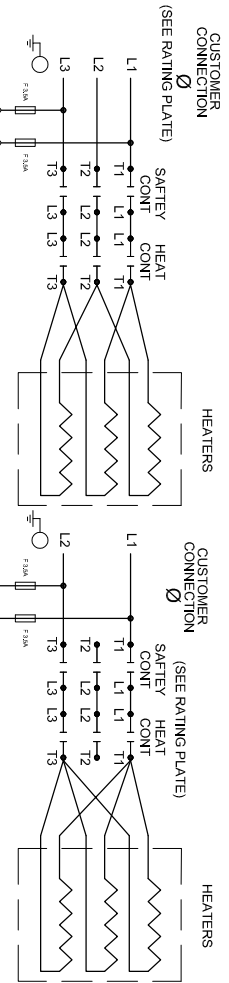
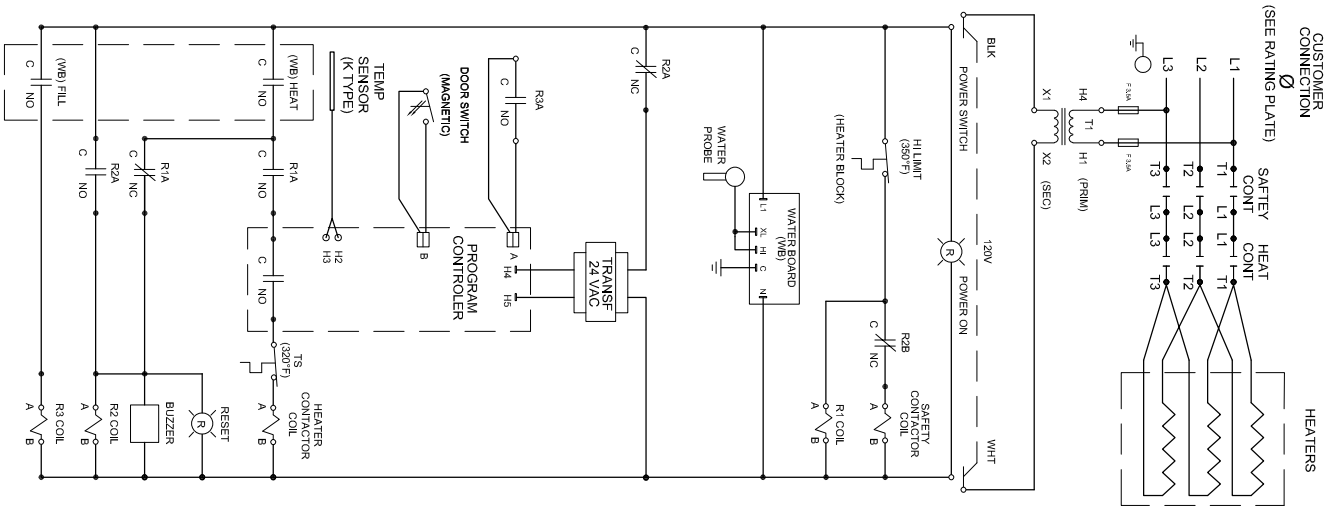


SteamCub ELECTRONIC TIMER

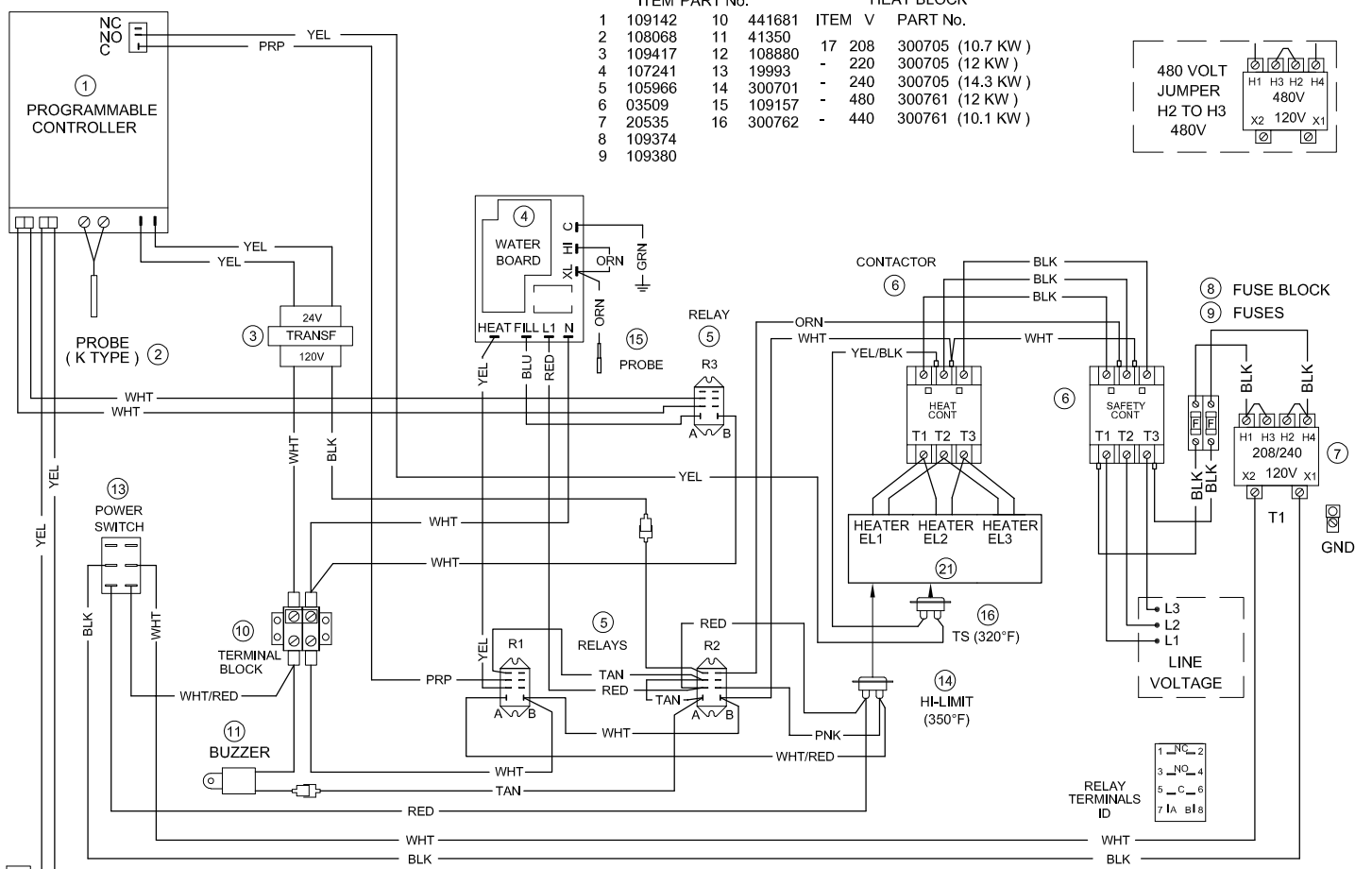
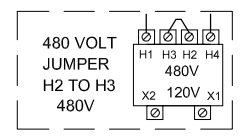


208/220/240V SINGLE PHASE UNITS
MUST USE 75 AMP. CONTACTORS
P/N 03506

(SEE NOTE BELOW)

SteamCub ELECTRONIC TIMER

ITEM	PART No.	ITEM	V	PART No.	HEAT BLOCK
1	109142	10	441681		
2	108068	11	41350		
3	109417	12	108880	17	208 300705 (10.7 KW)
4	107241	13	19993	-	220 300705 (12 KW)
5	105966	14	300701	-	240 300705 (14.3 KW)
6	03509	15	109157	-	480 300761 (12 KW)
7	20535	16	300762	-	440 300761 (10.1 KW)
8	109374				
9	109380				



CUSTOMER CONNECT AT SAFETY CONTACTOR T1, T2 & T3