

SteamCub™
 PRESSURELESS STEAM COOKER,
 RETHERMALIZER & HOLDING CABINET

Project _____
 Item _____
 Quantity _____
 FCSI Section 11400 _____
 Approved _____
 Date _____

Models

- 1SCMCS



Standard Features

- Boilerless Pressureless Steam Cooker and Rethermalizer.
- Capacity: Full Size Steam Table Pans:
 - Five: 2 1/2" x 12" x 20" (1/1 GN, 65mm)
 - Ten: 1" x 12" x 20" (1/1GN, 40mm)
- Easy installation, no drain line or water connections are required.
- 60 Mechanical Timer with ON/OFF Main Power Switch with a Heat On, Low Water Indicator Lights and High Temperature Safety Light and Shut-off (Reset Light).
- 6" (152mm) Skid Resistant Stainless Steel Adjustable Legs with Flanged Feet.
- 8 gauge stainless steel inner cooking compartment, 14 gauge stainless steel outer compartment with two piece compartment door for an airtight, leak-proof seal.
- Reversible Door Gasket.
- 12 kW total output, with easy to remove 1 kW heating elements (9 each) cast into aluminum blocks.
- Electronic Low-Water Shut-Off Safety Indicator with audible alarm, High Temperature Safety Shut-Off and LED "Heat On" Indicator Light.
- Separate Power ON/OFF Control includes an Automatic Pre-Heat when power is turned "ON".
- Easy-Access Manual Drain Valve located in front, Pan Slide Guides located under unit to fit 12" x 20" (1/1GN) Pans. Includes one 4" x 12" x 20" stainless steel pan (1/1GN-102mm).
- Approvals: cUL, NSF #4.

Short Form Specifications

Shall be a Cleveland SteamCub™, Model 1SCMCS, one compartment steamer. 60-minute mechanical timer with a low water indicator and alarm. a heat-on indicator light. 12 kW power rating. Capacity for five 2 1/2" deep full size steam table pans. 8 gauge stainless steel inner cooking compartment, 14 gauge stainless steel outer compartment with two piece compartment door.

Options & Accessories

- Equipment Stand Model UniStand34.
- POSK Pull-Out Shelf Kit for UniStands (P/N 111724).
- URK Pan Rack Kit UniStands (P/N 111726)
- Optional Voltages, 480 Volt (VOS2).
- Single Phase Operation.



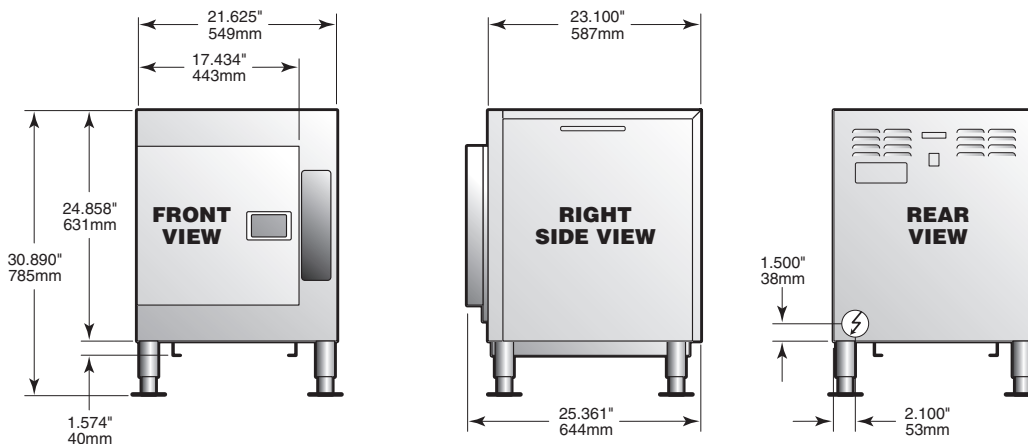
WATER QUALITY REQUIREMENT

The recommended minimum water quality standards whether untreated or pre-treated, based upon 10 hours of use per day, and a Daily Blowdown, are as follows:

TOTAL DISSOLVED SOLIDS	less than 60 parts per million
TOTAL ALKALINITY	less than 20 parts per million
SILICA	less than 13 parts per million
pH FACTOR	greater than 7.5
CHLORINE	less than 30 parts per million

Consult a local water treatment specialist for an on site water analysis for recommendations concerning steam generator feed water treatment (if required), in order to remove or reduce harmful concentrations of minerals. The use of highly mineralized water will mean that more frequent servicing of the steam generator will be necessary. The fact that a water supply is potable is not proof that it will be suitable for the generator.

- Compartment has capacity for:
Five, 12" x 20" x 2½" deep Cafeteria Pans.



ELECTRICAL ⚡ (Contact factory if installed above 3,500 feet)

WATTS	VOLTS	PHASE	WIRES	CYCLE HERTZ	AMPS	SUPPLY CONNECTION WIRE SIZE (COPPER)*
-------	-------	-------	-------	-------------	------	---------------------------------------

Standard Wattage

Three Phase - 12 kW Standard

10,725	208	3	3	60	29.8	8
12,000	220	3	3	60	31.5	8
14,280	240	3	3	60	34.4	8
10,085	440	3	3	60	13.2	12
12,000	480	3	3	60	14.4	12

WATTS	VOLTS	PHASE	WIRES	CYCLE HERTZ	AMPS	SUPPLY CONNECTION WIRE SIZE (COPPER)*
-------	-------	-------	-------	-------------	------	---------------------------------------

Standard Wattage

Single Phase - 12 kW Standard

10,725	208	1	2	60	51.6	6
12,000	220	1	2	60	54.5	4
14,280	240	1	2	60	59.5	4
10,085	440	1	2	60	22.9	10
12,000	480	1	2	60	25.0	8

* For supply connection use only copper wire suitable for at least 75°C. (167°F).

Note: Consult local authorities for venting and installation requirements.

* For supply connection use only copper wire suitable for at least 75°C (167°F).

NOTES:

Cleveland Range reserves right of design improvement or modification, as warranted. Many regional, state and local codes exist and it is the responsibility of the owner and installer to comply with the codes. Cleveland Range equipment is built to comply with applicable standards for manufacturers. Included among those approval agencies are U.L./NSF#4 and CSA (AGA, CGA).

(NOT TO SCALE)