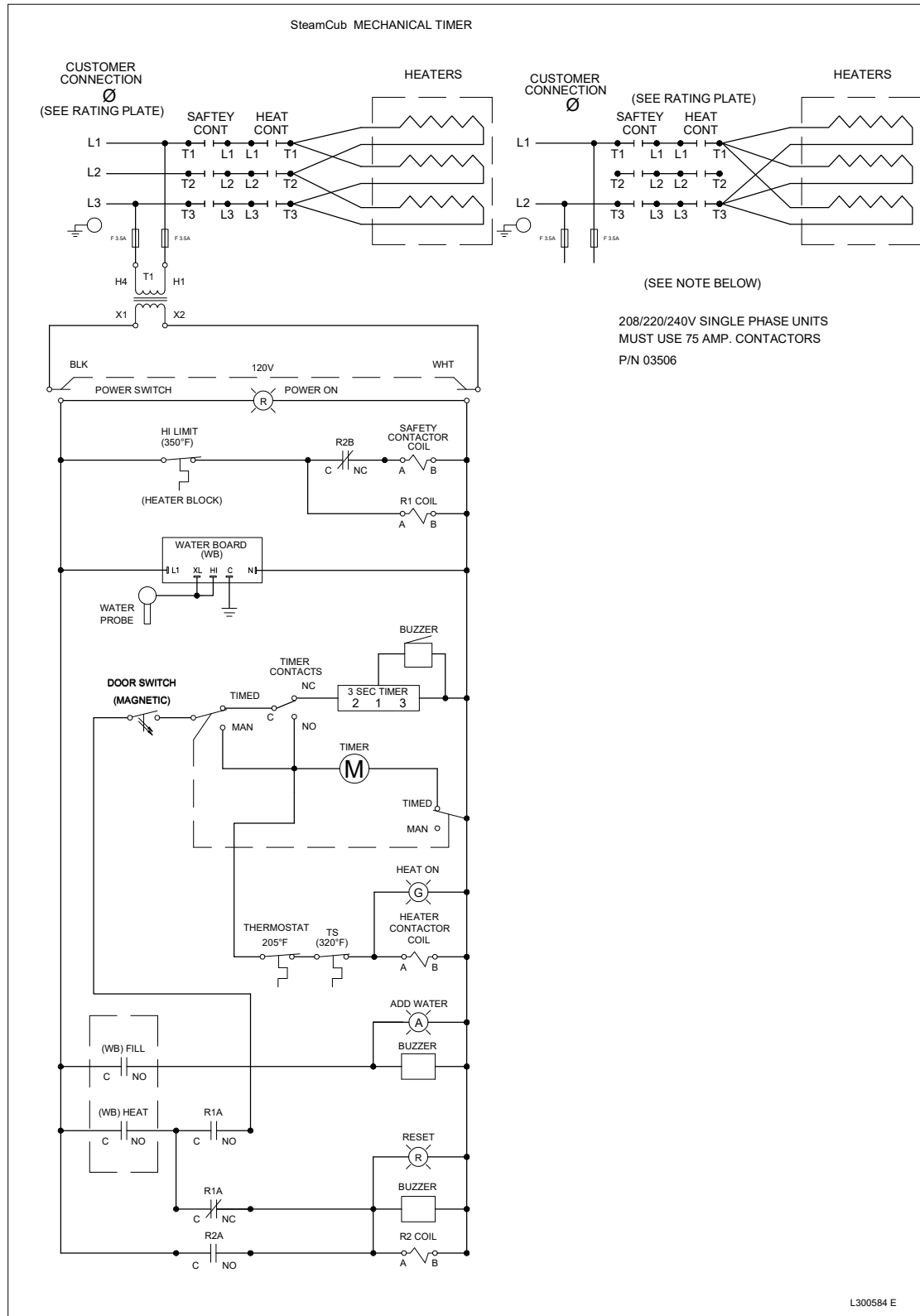


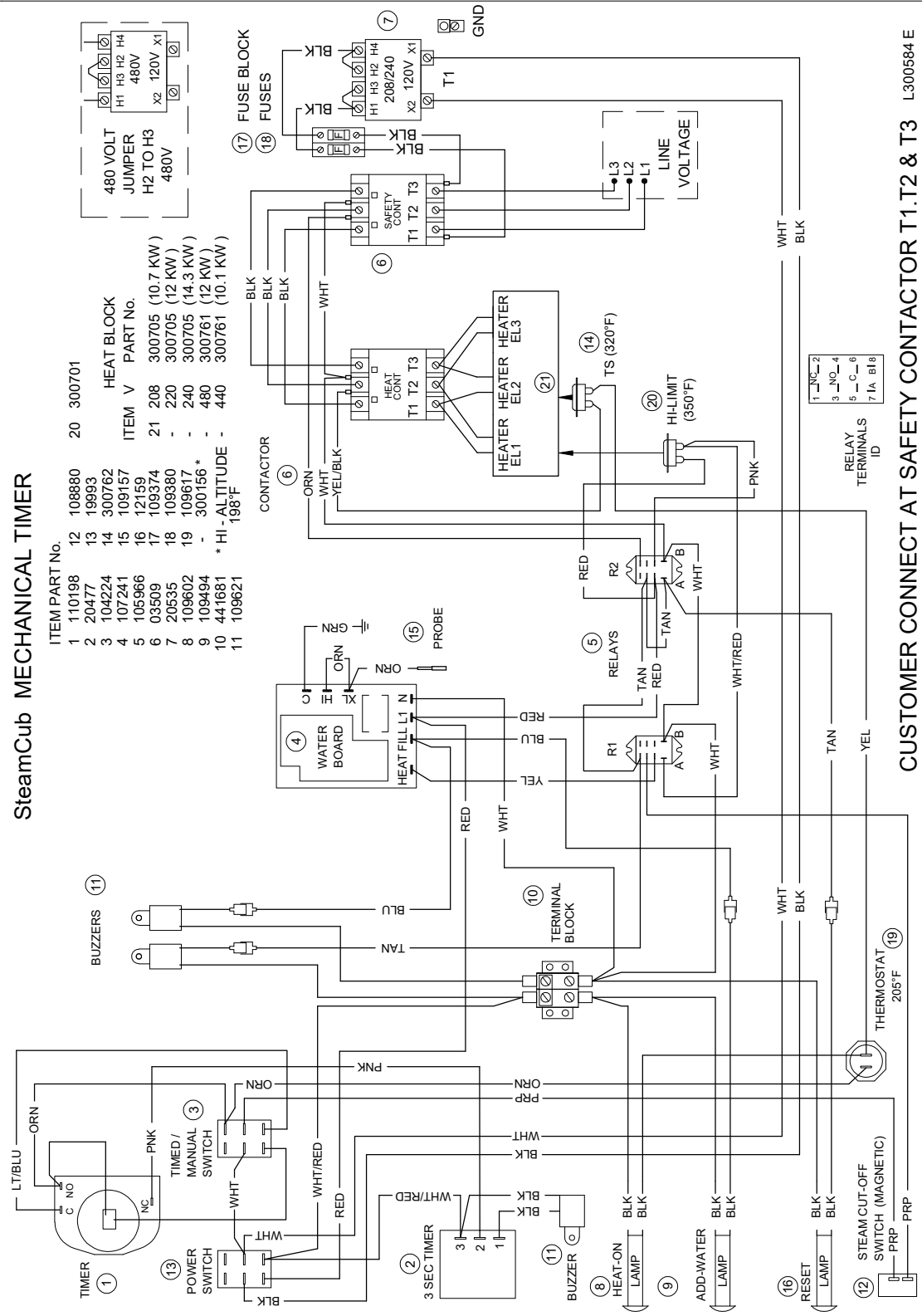
LET.	REVISIONS	DATE	BY
A	PRODUCTION RELEASE PER E.O.# C-7165R1	08-09-06	VDS
B	PICTORIAL CHANGE, CONTACTOR WIRING, ECR- 07-052	03-06-07	VDS
C	PICTORIAL CHANGE, CAST HEATER BLOCK WIRING.	04-11-11	VDS
-	ECR-11-087	-	-
D	ADD LAYOUT VIEWS; REVISED NOTE PER ECR-11-396	02-15-12	IG
E	MOVED 320F T.S. BEFORE 350F T.S., PC160122	04-19-16	VDS



SteamCub MECHANICAL TIMER

ITEM PART NO.	ITEM V	HEAT BLOCK PART No.
1 110198	12 108880	20 300701
2 20477	13 19993	
3 104224	14 300762	
4 107241	15 109157	
5 105966	16 12159	
6 03509	17 109374	21 208 300705 (10.7 KW)
7 20535	18 109380	- 220 300705 (12 KW)
8 109602	19 109617	- 240 300705 (14.3 KW)
9 109494	- 300156 *	- 480 300761 (12 KW)
10 441681	* HI - ALTITUDE	- 440 300761 (10.1 KW)
11 109621	- 198°F	

480 VOLT JUMPER H2 TO H3 480V



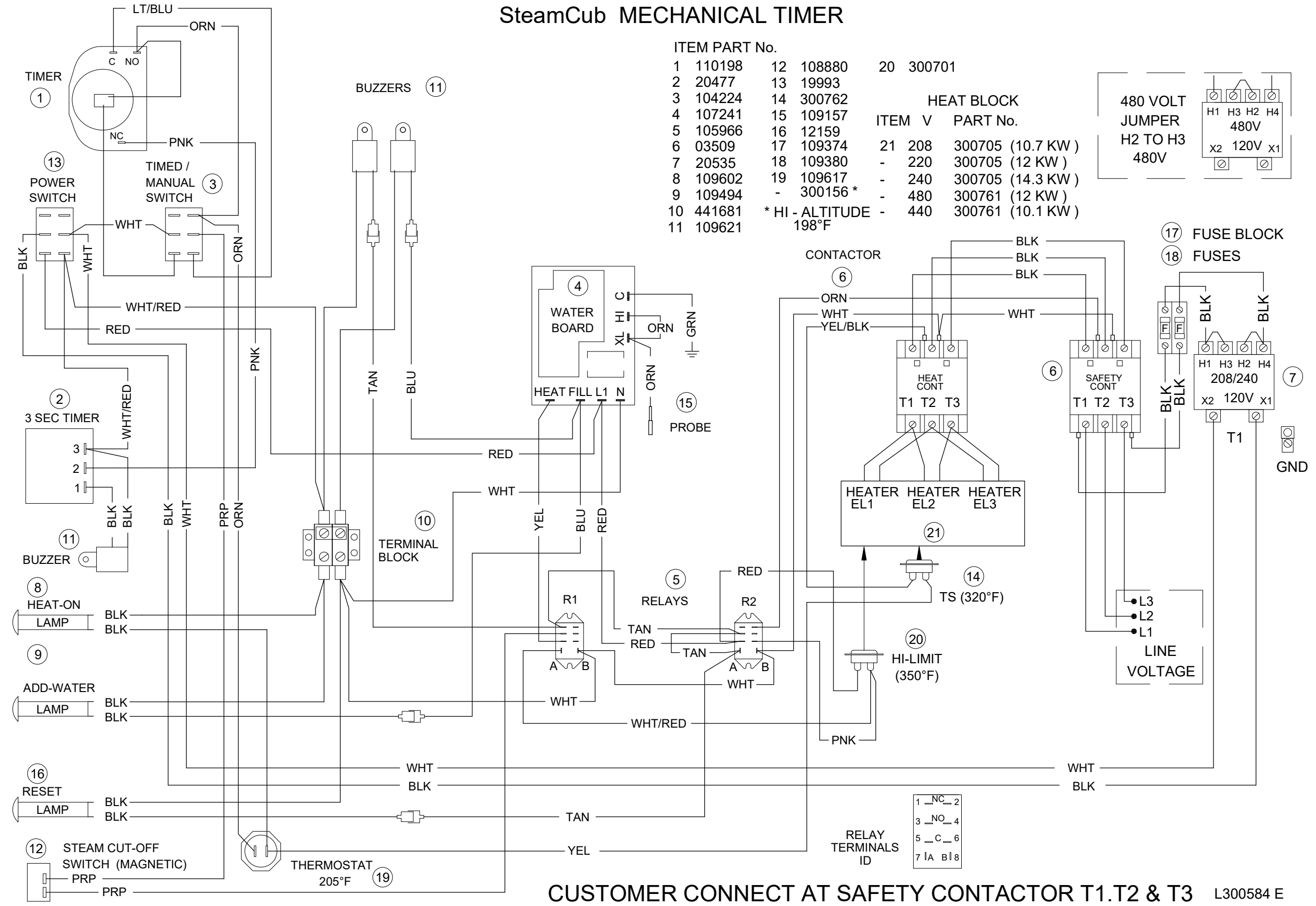
CUSTOMER CONNECT AT SAFETY CONTACTOR T1, T2 & T3 L300584 E

FOR PAPER WIRE DIAGRAM PRINTING
 1.) CONSTRUCTION: TO BE PRINTED ON 8.5" X 11" LABEL PRINTING PAPER (2 SHEETS)

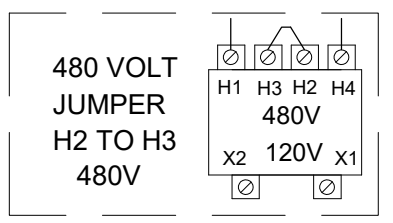
ITEM	QTY	PART NO.	DESCRIPTION
CLEVELAND RANGE, LLC 1333 East 179th St., Cleveland, Ohio 44110-2574			
<small>THIS DESIGN REQUIRES A PROPRIETARY ITEM AND IS THE PROPERTY OF CLEVELAND RANGE. THIS DRAWING IS NOT TO BE COPIED OR USED WITHOUT THE APPROVAL OF CLEVELAND RANGE.</small>			
TOLERANCES (UNLESS OTHERWISE NOTED)	DO NOT SCALE PRINTED DRAWING	DRAWN BY VDS	DATE 08-06-06
DECIMAL N/A	TITLE LABEL, WIRE DIAGRAMS, STEAMCUB MCS, W/SAFETY CONT (THREE PHASE)		
ANGULAR ±1°	SIZE D	DRAWING NO. 300584	SHEET 1 OF 1 REV E

L300584 E

SteamCub MECHANICAL TIMER

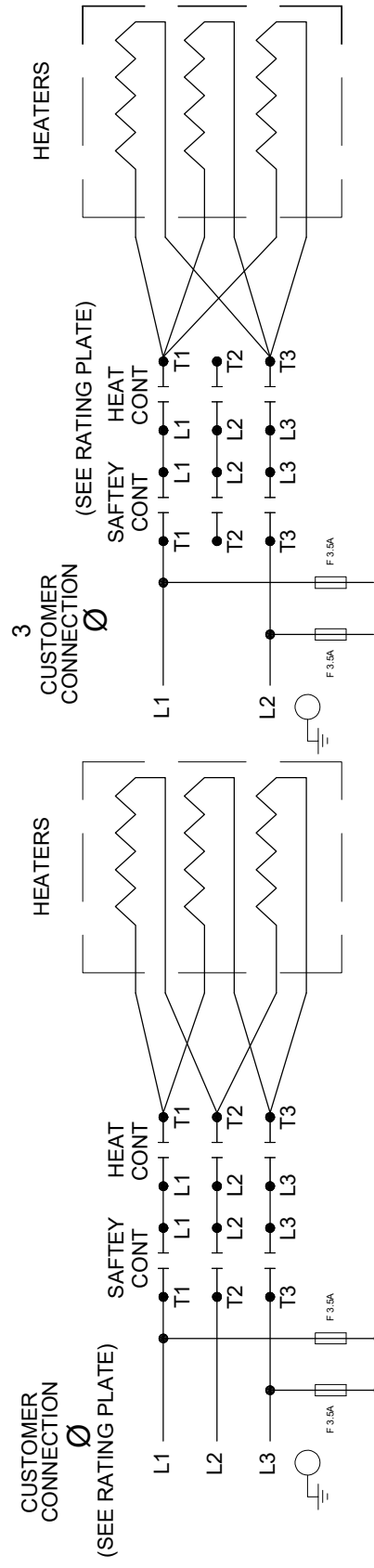


ITEM	PART No.	ITEM	V	PART No.	
1	110198	12	108880	20	300701
2	20477	13	19993		
3	104224	14	300762		
4	107241	15	109157		
5	105966	16	12159		
6	03509	17	109374	21	208
7	20535	18	109380	-	220
8	109602	19	109617	-	240
9	109494	-	300156 *	-	480
10	441681	* HI - ALTITUDE	-	440	300761 (12 KW)
11	109621	198°F			300761 (10.1 KW)



CUSTOMER CONNECT AT SAFETY CONTACTOR T1.T2 & T3 L300584 E

SteamCub MECHANICAL TIMER



(SEE NOTE BELOW)

208/220/240V SINGLE PHASE UNITS
MUST USE 75 AMP. CONTACTORS
P/N 03506

