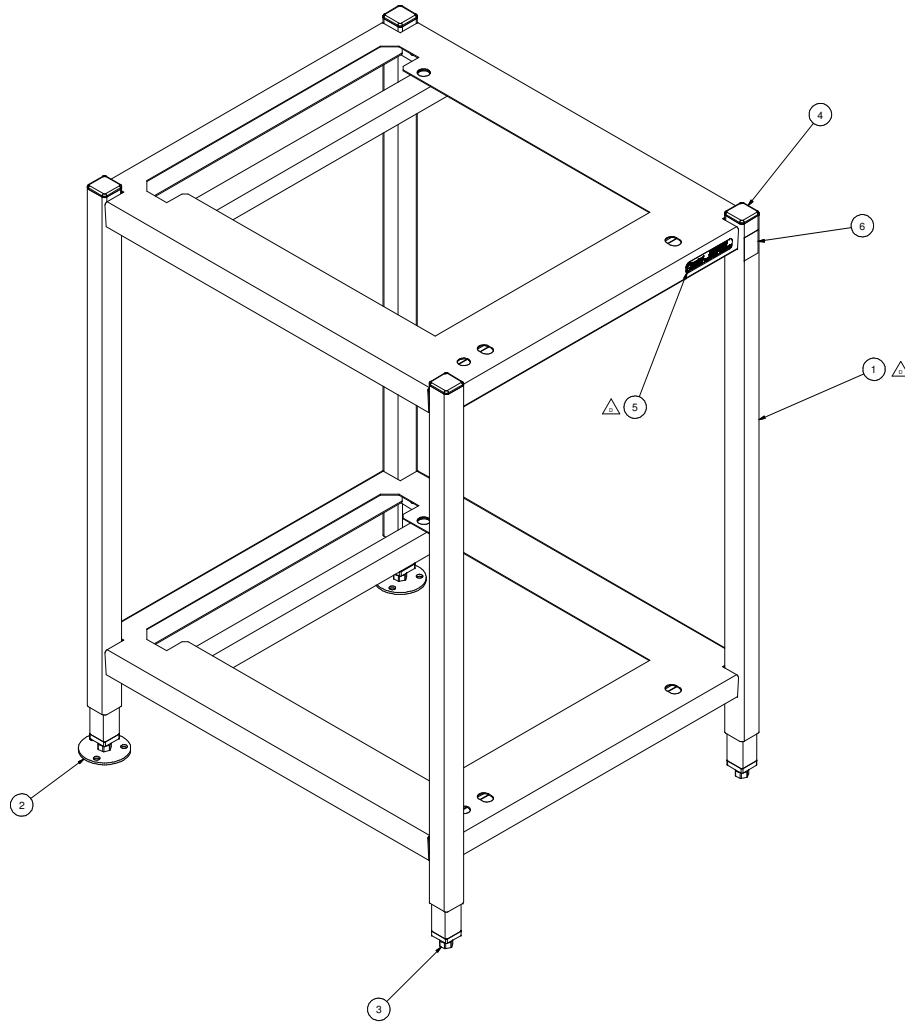


LET.	DESCRIPTION	DATE	BY
A	PRODUCTION RELEASE PER ECR-07-277	07-24-07	JJD
B	CORRECTED PARTS LIST PER ECR-07-335	08-03-07	JJD
C	ITEM 6 PIN WAS 104527, PER ECR-08-029	04-10-08	TJW
D	ITEM 1 WAS 111466, ITEM 5 WAS 111473, PER ECR-09-267	03-01-10	MM



11	2	19444	CARTON, SHIPPING, STEAM GENR, 30 X 28 X 23
10	1	41946	PALLET, SHIPPING, SERVICE BOILER
9	4	100144	SEAT, 1/2" BANDING
8	0.026	01024	STRAP, 2200' ROLL, 0.024 X 5/8 X 16 X 3 POLYESTER
7	1	111170	KIT, ELE CHEF 6 STACKED SHEETMETAL AND PLUMBING
6	1	110587	LABEL, SANITATION, UL CLASS, NSF #2
5	1	113307	LABEL, EQUIPMENT STAND, ES26304466E, ES26304433G, ES26304449G
4	4	111455	PLUS, 1 1/2" SQUARE, RIBBED
3	2	100241	FOOT, ADJUSTABLE (FOR 1.250 SQ. TUBE)
2	2	100413	FOOT ASSY, ADJUSTABLE (FOR 1.250 SQ. TUBING), ANCHORABLE TIEDOWN
1	1	113215	WELDMENT, FRAME & SHELVES, STACKING STAND, STEAMCHEF 6 ELECTRIC

NOT SHOWN
NOT SHOWN
NOT SHOWN
NOT SHOWN

△
△
△

ITEM	QTY	PART NO.	DESCRIPTION
CLEVELAND RANGE, LLC			
<small>1333 East 178th St., Cleveland, Ohio 44110-2574</small>			
<small>THIS DRAWING AND SPECIFICATIONS ARE THE PROPERTY OF CLEVELAND RANGE. NO REPRODUCTION OR TRANSMISSION OF ANY PARTS HEREOF IS TO BE MADE WITHOUT THE WRITTEN APPROVAL OF CLEVELAND RANGE.</small>			
TOLERANCES UNLESS OTHERWISE NOTED:	DO NOT SCALE PRINTED DIMENSIONS	DRAWN BY JJD	DATE 7/27/2007
DECIMAL: ± 0.030	TITLE EQUIPMENT STAND, ASSEMBLY ELEC. (22CET6.1) STACKED		
ANGULAR: ± 1°	SIZE D	DRAWING NO. 111467E	SHEET 1 OF 1 REV D