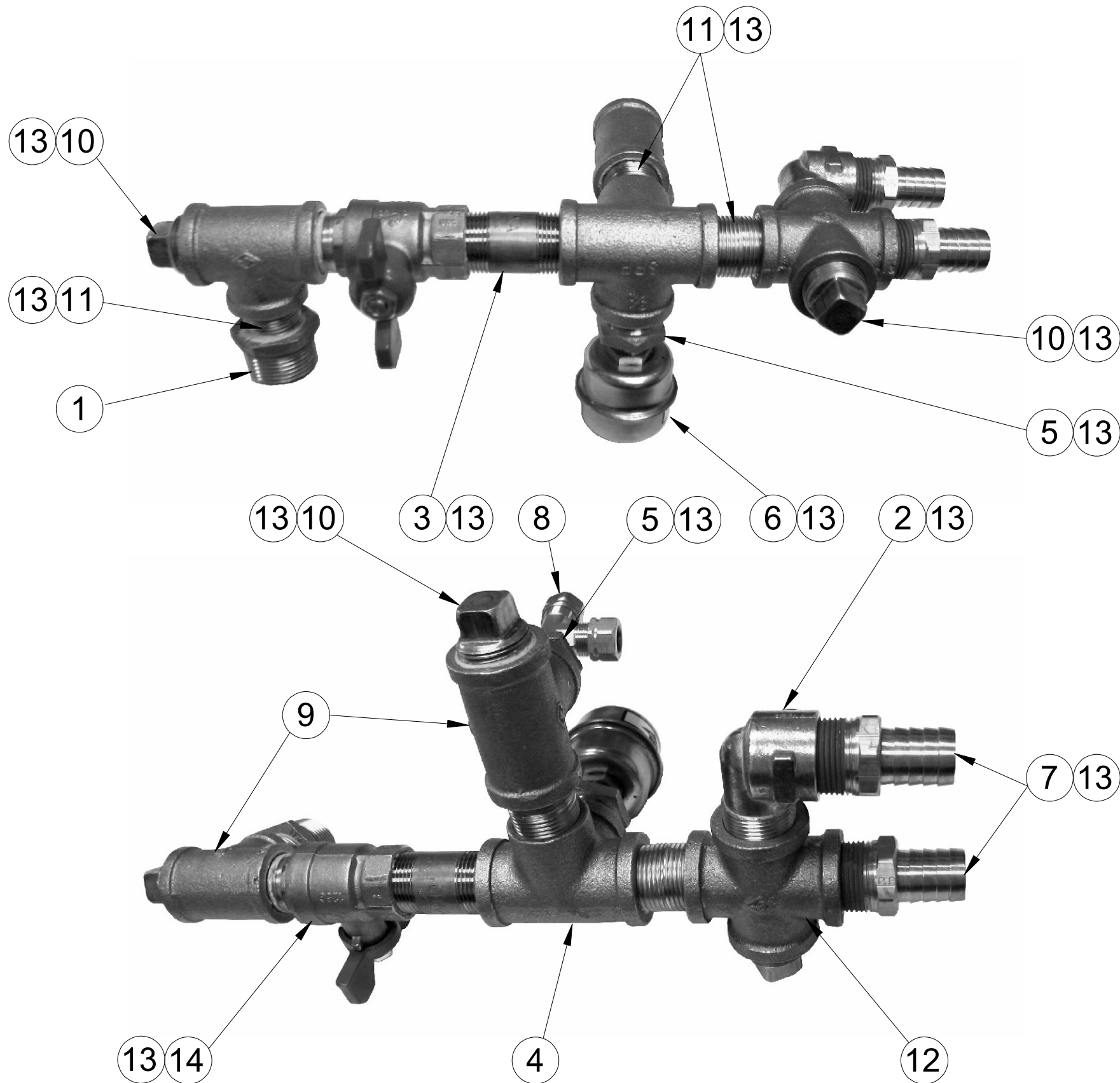


NOTE:

1. PIPING CAN NOT BE INSTALLED ON THE GENERATOR ASSEMBLED AS SHOWN.



LET.	REVISIONS	DATE	BY
A	PRODUCTION RELEASE, PER EO #C-6694 R1	08-06-04	EC
B	1) ITEM 2, P/N 05231 QTY 1 WAS QTY 2; 2) ITEM 3, P/N 14346	05-03-12	IG
-	WAS P/N 14354; 3) ITEM 9, P/N 20206 QTY 2 WAS QTY 1;	-	-
-	4) ITEM 10, P/N 16607 QTY 3 WAS QTY 2; 5) ITEM 11, P/N 14342	-	-
-	QTY 3 WAS QTY 2; 6) ADD ITEM 14, P/N 03277 QTY 1 PER	-	-
-	ECR-12-154	-	-

B6	14	1	03277	VALVE, BALL, 3/4", BRASS
	13	A/R	00934	SEALANT, PIPE DOPE
B5	12	1	03732	CROSS, 4 WAY, 3/4", BRASS
	11	3	14342	NIPPLE, 0.75NPT X CLOSE SCH 40, BRASS
	10	3	16607	PLUG, SQ HD, 3/4", BRASS
B4	9	2	20206	TEE, 3/4" BRASS
B3	8	1	100883	FTG., COMPRESSION, TEE 3/8" T X 1/4" NPT X 3/8" T, BRASS
	7	2	06240	FTG., HOSE BARB, 3/4" H X 3/4" MPT
B2	6	1	101207	TRAP, W/POL. SEAT, 1/4" NPT X 1/4" COMP
	5	2	02563	BUSHING, HEX, 3/4 X 1/4, BRASS
	4	1	100660	TEE, 3/4" SIDE OUTLET, BRASS
	3	1	14346	NIPPLE, 3/4" NPT X 2.5" SCH, BRASS
B1	2	1	05231	ELBOW, STREET, 3/4 X 90, BRASS
	1	1	02570	BUSHING, HEX, 1 X 3/4" BRASS
ITEM	QTY	PART NO.	DESCRIPTION	

CLEVELAND RANGE, LLC

1333 East 179th St., Cleveland, Ohio 44110-2574

THIS DESIGN DESCRIBES A PROPRIETARY ITEM AND IS THE PROPERTY OF CLEVELAND RANGE. THIS DRAWING IS NOT TO BE COPIED OR USED WITHOUT THE APPROVAL OF CLEVELAND RANGE.

TOLERANCES (UNLESS OTHERWISE NOTED)	DO NOT SCALE PRINTED DRAWING	DRAWN BY EC	DATE 08-06-04
DECIMAL -	TITLE PIPING, STEAM OUTLET, 36PCSM, HL LARGE STEAM COIL		
ANGULAR -	SIZE B	DRAWING NO. 1113651	SHEET 1 OF 1 REV B

