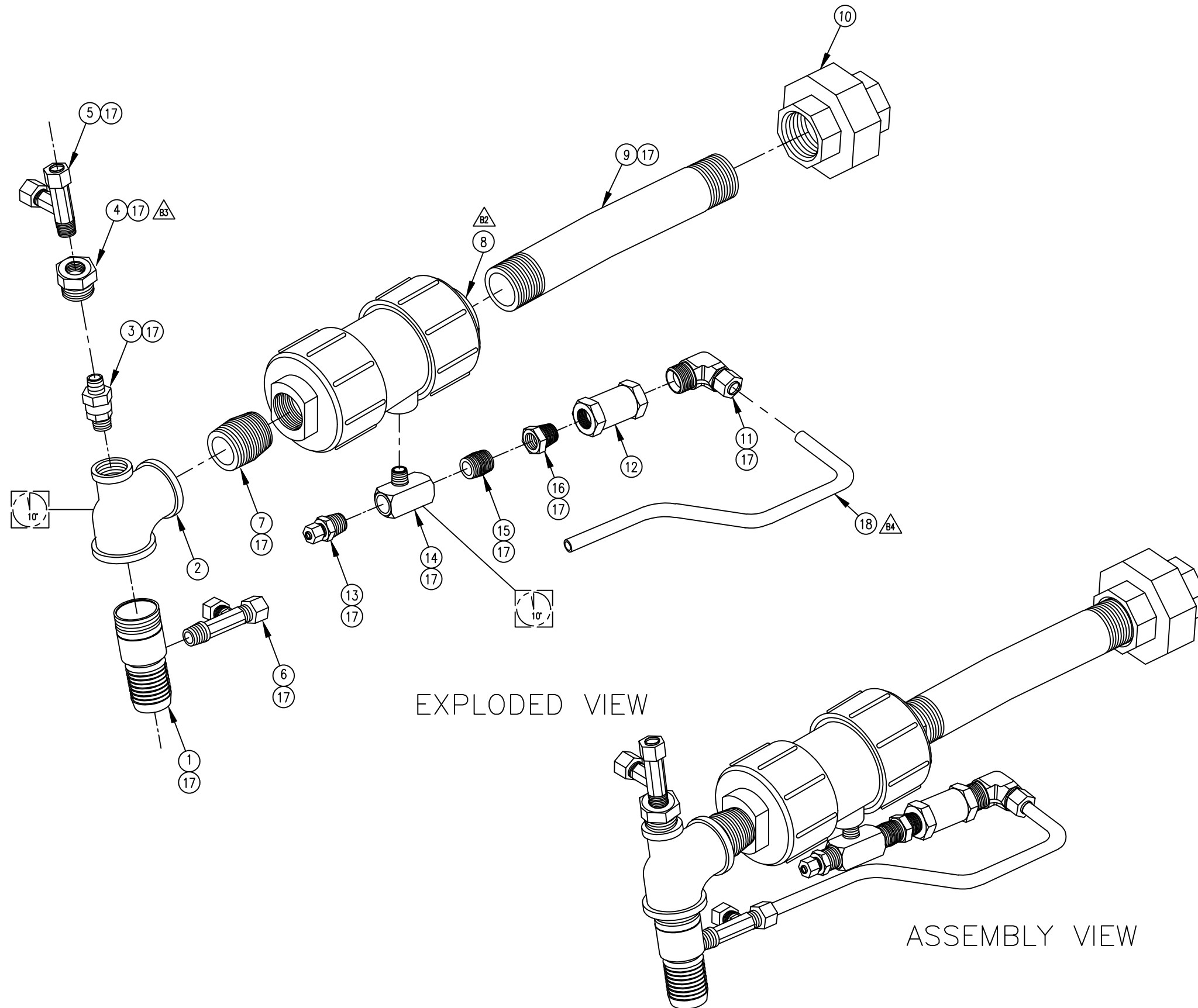


LET.	REVISIONS	DATE	BY
A	PRODUCTION RELEASE PER EOP C-5318,	03-23-99	JRB
-	REF ECR# 99-033	-	-
B	1) DIMS NO CORRECTED, PN 100105 WAS 109284	7-12-99	MEH
-	2) PICTORIAL UPDATE OF PINCH VALVE P/N 104464	-	-
-	3) ADDED P/N 00934, SEALANT	-	-
-	4) ADDED ITEM:18, TUBING, PER E.O.#C-5318r1	-	-
C	ITEM 9 WAS P/N 104548 QTY 1 PER EOP#C-6527	6-18-03	IG
-	(REF ECR 03-065)	-	-



EXPLODED VIEW

ASSEMBLY VIEW

ITEM	QTY	PART NO.	DESCRIPTION
18	1	102078	TUBING, FORMED 1/4 COPPER
17	A/R	00934	SEALANT, PIPE DOPE
16	1	02594	BUSHING, HEX, 3/8 x 1/4, BRASS
15	1	14304	NIPPLE, CLOSE, BRASS
14	1	20245	TEE, MALE BRANCH, 1/4, BRASS
13	1	06216	FTG., COMP. 1/4T x 1/4MPT
12	1	15462	ORIFICE, FLOW REGULATOR, GPM
11	1	06194	FTG., COMP. 1/4T x 3/8MPT, 90°
10	1	21306	UNION, BLACK, 1 STANDARD
9	1	101924	NIPPLE, 1 X 5 1/2, BLACK
8	1	104464	VALVE, PINCH 1NPT
7	1	14369	NIPPLE, 1 CLOSE, BLACK
6	1	101394	FITTING, COMP, TEE, 1/8MPT x 1/4T x 1/4T
5	1	06188	FTG., COMP. TEE 1/4T x 1/4MPT BRASS
4	1	02549	BUSHING, CONDENSER
3	1	14553	NOZZLE, SPRAY, DRAIN MAN, 1/8 GGD-1, FULL JET, BR
2	1	100223	TEE, 1 x 1/2 x 1 BLACK
1	1	565191	FITTING, HOSE, 1 H x 1 NPT, W- 1/8 HOLE

CLEVELAND RANGE, LLC			
1333 East 179th St., Cleveland, Ohio 44110-2574			
THIS DRAWING IS THE PROPERTY OF CLEVELAND RANGE, LLC. IT IS TO BE KEPT IN CONFIDENCE AND NOT TO BE REPRODUCED OR USED WITHOUT THE APPROVAL OF CLEVELAND RANGE, LLC.			
TOLERANCES (UNLESS OTHERWISE NOTED)	DO NOT SCALE	PRINTED DRAWING	DRAWN BY J.BLOCK DATE 3-10-99
DECIMAL ±.030	TITLE ASSY, MANIFOLD PINCH VALVE, PCL		
ANGULAR ±1°	SIZE D	DRAWING NO. 100105	SHEET 1 OF 1 REV C

B1