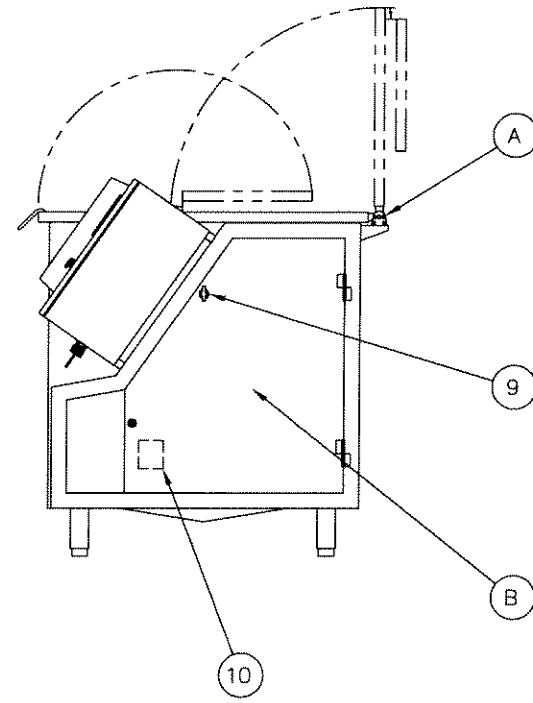
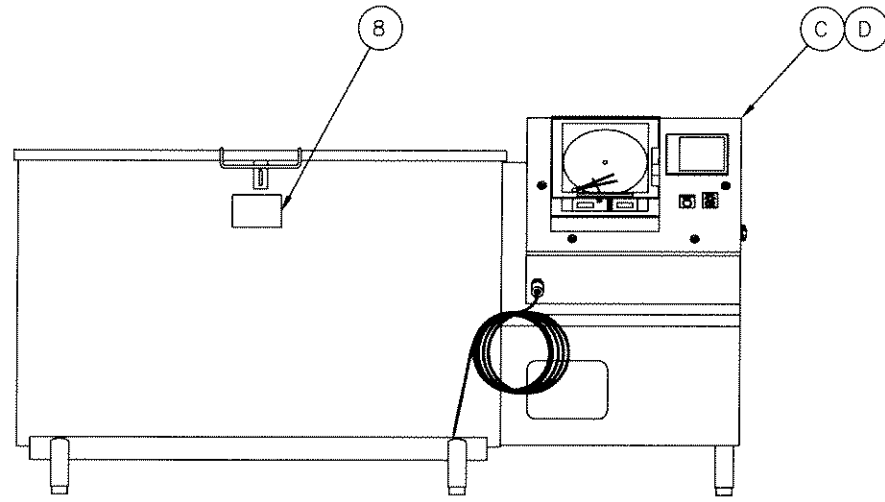
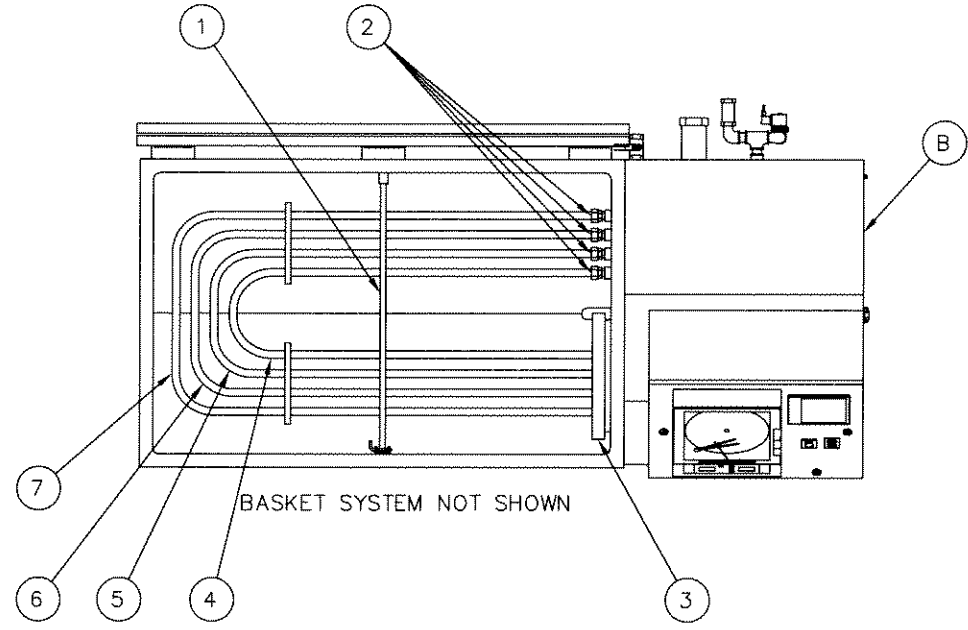


CT-1000, 1000# COOK TANK **REPLACEMENT PARTS DRAWINGS**

<u>DRAWING#:</u>	<u>DESCRIPTION:</u>	<u>SERIAL#:</u>
B600129	CT-1000 COOK TANK	8672, 8709, 8715
B600039	ACTUATOR, HINGE, COVER	8672, 8709, 8715
B600131	PLUMBING LINES, CT-1000	8672, 8709, 8715
B600130	CT-1000-2000 CONTROL BOX W/DIGITAL INTERFACE	8709
B600133	CT-1000-2000 CONTROL BOX W/TOUCH SCREEN	8672, 8715
B600132	BASKET SYSTEM, CT-1000	8672, 8709, 8715

<u>SERIAL#:</u>	<u>SYSTEM VOLTAGE:</u>
8672	460V-3PH-60HZ
8709	208V-3PH-60HZ
8715	460V-3PH-60HZ



WATER LEVEL PRESSURE SWITCH

PROJECT

JOB NO.



Cleveland

Cleveland Range LLC, Plant 3

1250 Reames Road, Baltimore, Maryland U.S.A. 21220, PH(410) 391-3600, FAX(410) 391-9042

THIS DRAWING DESCRIBES A CONFIDENTIAL & PROPRIETARY ITEM AND/OR PROJECT AND IS THE PROPERTY OF CLEVELAND RANGE. THIS DRAWING IS NOT TO BE COPIED OR USED WITHOUT THE PREVIOUS WRITTEN APPROVAL OF CLEVELAND RANGE.

TITLE
CT-1000, COOK TANK
REPLACEMENT PARTS

LET. DATE

REVISIONS

JOB NO.

DWG. NO. B600129

DRAWN BY JES

DATE 12-17-08

SHEET

1 of 2

SCALE

NONE

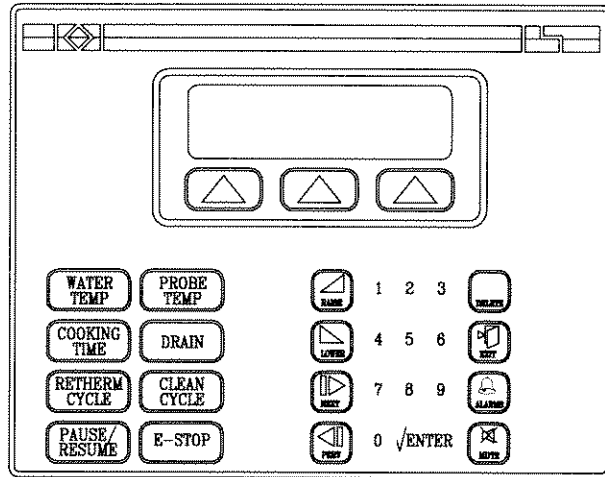
CHECKED BY

REV -

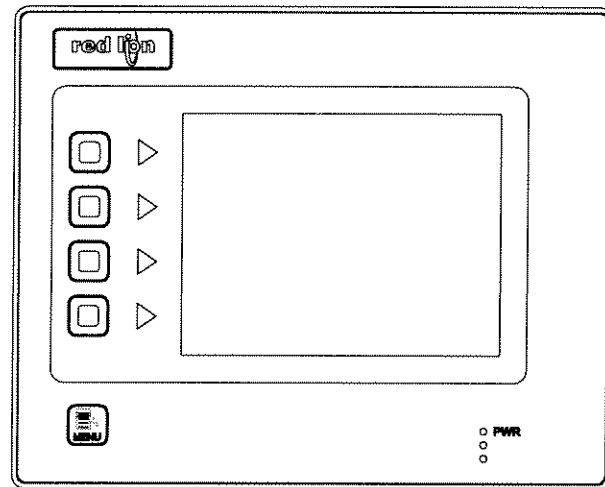
SHEET

1 of 2

CONTROL BOX VERSIONS



"C": DIGITAL INTERFACE ON CONTROL BOX



"D": TOUCH SCREEN ON CONTROL BOX

REPLACEMENT PARTS LIST

ITEM	PART NO.	DESCRIPTION
1	1FS00-000090	BAR, HOLD DOWN AND PIN
-	1FS00-000091	PIN, REPLACEMENT FOR ITEM #1
2	MSS01-000007	FITTING, PIPE TO TUBE
3	1FS00-000092	STRAINER
4	3PS00-000008	MANIFOLD, STEAM, INNER TUBE
5	3PS00-000007	MANIFOLD, STEAM, MID-INNER TUBE
6	3PS00-000006	MANIFOLD, STEAM, MID-OUTER TUBE
7	3PS00-000005	MANIFOLD, STEAM, OUTER TUBE
8	NPRED0000024	WARNING NAMEPLATE
9	HWS00-0000011	LATCH, 1/4 TURN, LOCKABLE
10	EL8SW-0000005	SWITCH, LEVEL

DRAWING LIST

ITEM	DRAWING NO.	DESCRIPTION
A	B600039	COVER ACTUATOR
B	B600131	PLUMBING LINES

CONTROL BOX VERSIONS

ITEM	DRAWING NO.	DESCRIPTION
C	B600130	CONTROL BOX W/DIGITAL INTERFACE
D	B600133	CONTROL BOX W/TOUCH SCREEN

IN ORDER TO MAINTAIN A HIGH QUALITY OF SERVICE:

1. WHEN ORDERING A PART HAVE THIS INFORMATION READY AS WELL AS THE PART NUMBER: SITE NAME/LOCATION, UNIT SERIAL NUMBER AND UNIT VOLTAGE.
2. CLEVELAND RANGE RESERVES THE RIGHT TO CHANGE ANY PART NUMBER WITHOUT NOTICE.
3. **OBsolete ITEMS ARE AVAILABLE AS REPLACEMENT PARTS BUT ARE NO LONGER USED IN CURRENT PRODUCTION MODELS.**

TITLE
CT-1000, COOK TANK
REPLACEMENT PARTS

LET.	DATE	REVISIONS	JOB NO.

DWG. NO.	B600129
DRAWN BY	JES
DATE	12-17-08
SHEET	2 of 2
SCALE	NONE

CHECKED BY	REV

PROJECT

JOB NO.

SHEET

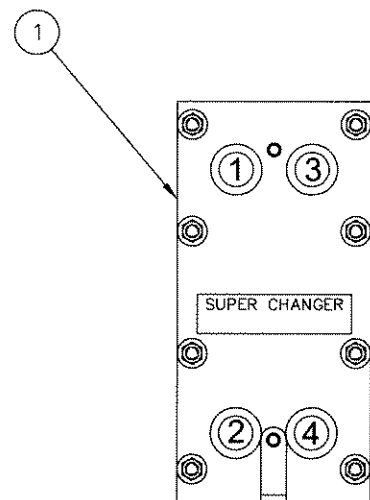
2 of 2



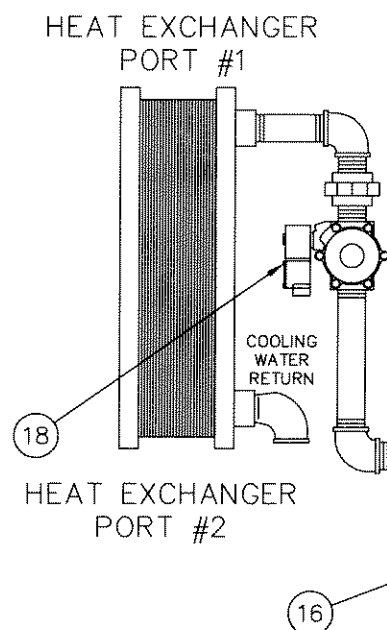
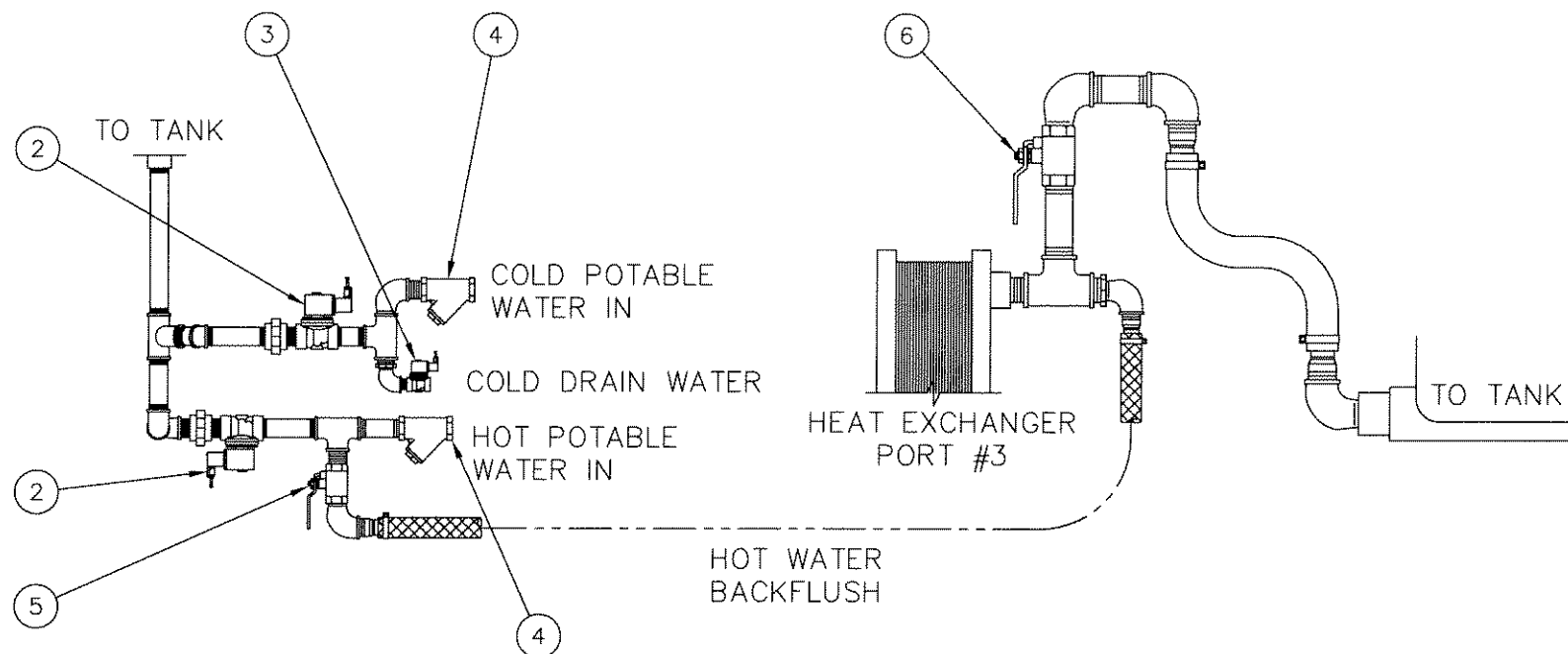
Cleveland Range LLC, Plant 3

1250 Reames Road, Baltimore, Maryland U.S.A. 21220, PH(410) 391-3600, FAX(410) 391-9042

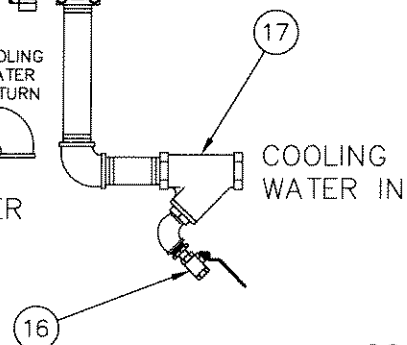
THIS DRAWING DESCRIBES A CONFIDENTIAL & PROPRIETARY ITEM AND/OR PROJECT AND IS THE PROPERTY OF CLEVELAND RANGE. THIS DRAWING IS NOT TO BE COPIED OR USED WITHOUT THE PREVIOUS WRITTEN APPROVAL OF CLEVELAND RANGE.



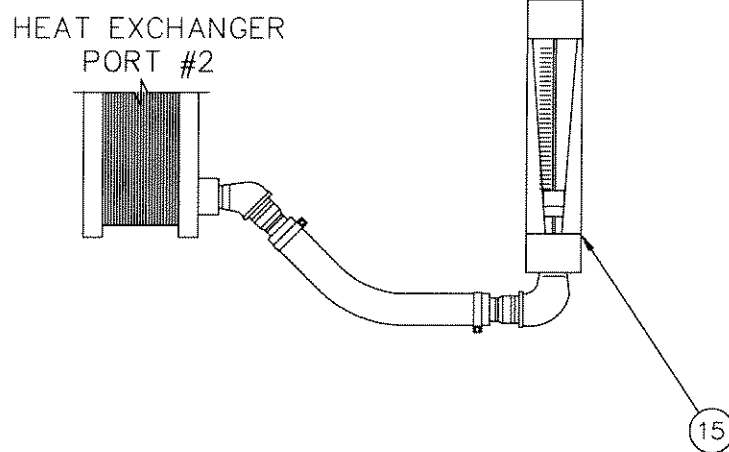
HEAT EXCHANGER PORT ID.



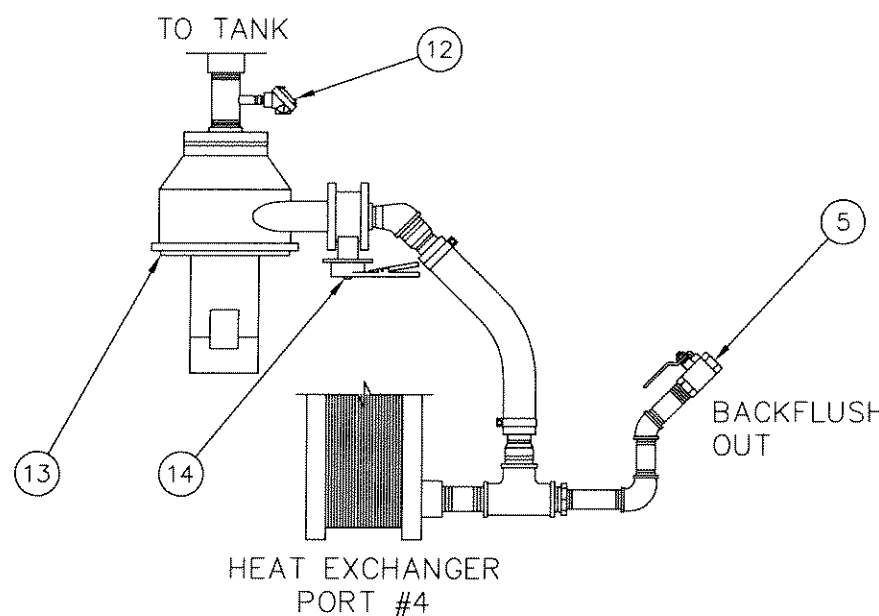
HEAT EXCHANGER PORT #1



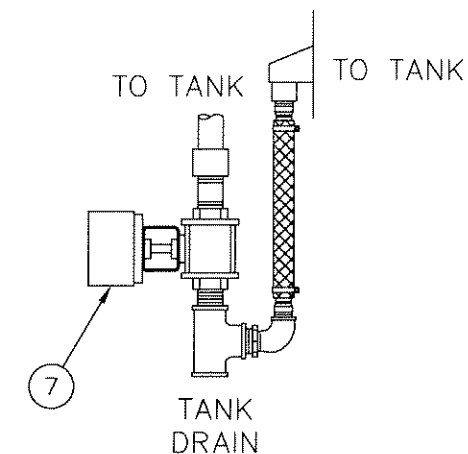
HEAT EXCHANGER PORT #2



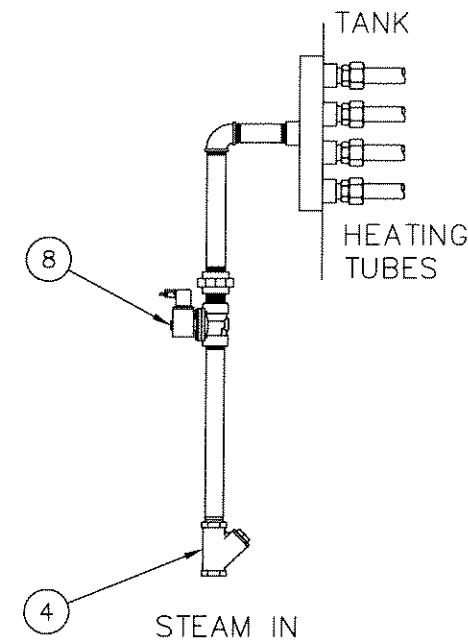
OPTIONAL HEAT EXCHANGER PORT #2 CONFIGURATION FOR FLOW METER



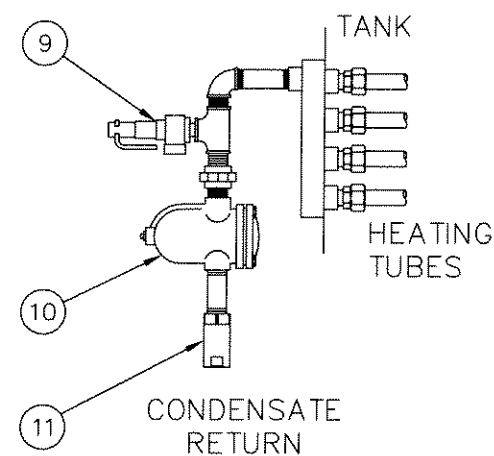
HEAT EXCHANGER PORT #4



TANK DRAIN



STEAM IN



CONDENSATE RETURN

ALL COMPONENTS AND FEATURES SHOWN ARE NOT PRESENT ON ALL UNITS.
PLEASE IGNORE ALL COMPONENTS AND FEATURES THAT ARE NOT ON YOUR UNIT.

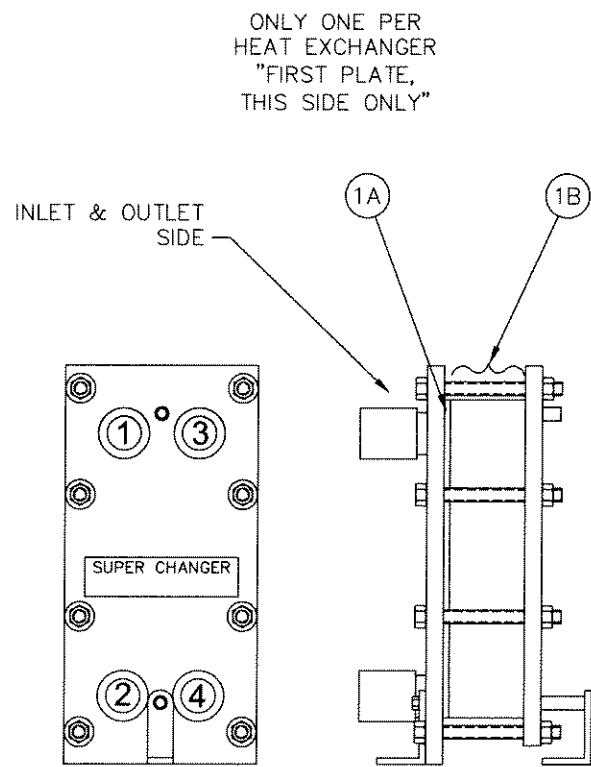
TITLE PLUMBING LINES, CT-1000 REPLACEMENT PARTS

Cleveland
Cook/Chill Systems

Cleveland
Cleveland Range LLC, Plant 3
1250 Reames Road, Baltimore, Maryland U.S.A. 21220, PH(410) 391-3600, FAX(410) 391-9042

THIS DRAWING DESCRIBES A CONFIDENTIAL & PROPRIETARY ITEM AND/OR PROJECT AND IS THE PROPERTY OF CLEVELAND RANGE. THIS DRAWING IS NOT TO BE COPIED OR USED WITHOUT THE PREVIOUS WRITTEN APPROVAL OF CLEVELAND RANGE.

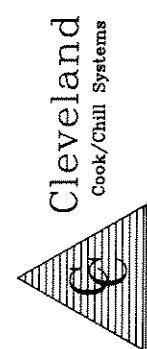

PROJECT	JOB NO.	DWG. NO.	DRAWN BY	DATE	SHEET	SCALE
		B600131	JES	12-17-08	1 of 2	NONE
	LET.	DATE	CHECKED BY	REV		



HEAT EXCHANGER PLATE LOCATION DETAIL

CT-2000 REPLACEMENT PARTS LIST		
ITEM	PART NO.	DESCRIPTION
1	MSC00-0000035	HEAT EXCHANGER
1A	MSS00-0000012	PLATE, REPLACEMENT, END PLATE
-	SED00-0000002	GASKET, REPLACEMENT, END PLATE
1B	MSS00-0000011	PLATE, REPLACEMENT, MID-PLATES
-	SED00-0000001	GASKET, REPLACEMENT, MID-PLATES
2	ELB01-0000013	SOLENOID
-	SP999-9900005	KIT, REPAIR
-	SP988-8800002	COIL, REPLACEMENT
3	ELB00-5000015	SOLENOID
-	SP999-9900002	KIT, REPAIR
-	SP988-8800002	COIL, REPLACEMENT
4	MSB01-0000001	STRAINER
-	MSB01-0000004	SCREEN, REPLACEMENT
5	MSB01-0000002	BALLVALVE
6	MSB02-0000004	BALLVALVE
7	ELB02-0000003	BALLVALVE, ELECTRIC ACTUATED
8	ELB01-0000014	SOLENOID
-	SP999-9900008	KIT, REPAIR
-	SP988-8800003	COIL, REPLACEMENT
9	VAB00-7500010	VALVE, SAFETY
10	MSC00-7500009	TRAP, STEAM
11	MSB00-7500004	VALVE, CHECK
12	TSENSOR00006	SENSOR, TEMPERATURE
13	ELH02-0000013	PUMP
-	2P800-0000010	KIT, REBUILD
14	MSB01-5000008	VALVE, BUTTERFLY
15	MSB02-0000009	METER, FLOW (OPTIONAL)
16	MSB00-5000004	VALVE, BALL
17	MSB01-5000001	STRAINER
-	MSB01-5000003	SCREEN, REPLACEMENT
18	ELB01-5000005	SOLENOID
-	SP999-9900003	KIT, REPAIR
-	SP988-8800001	COIL, REPLACEMENT

- IN ORDER TO MAINTAIN A HIGH QUALITY OF SERVICE:
1. WHEN ORDERING A PART HAVE THIS INFORMATION READY AS WELL AS THE PART NUMBER:
SITE NAME/LOCATION, UNIT SERIAL NUMBER AND UNIT VOLTAGE.
 2. CLEVELAND RANGE RESERVES THE RIGHT TO CHANGE ANY PART NUMBER WITHOUT NOTICE.
 3. **OBsolete ITEMS ARE AVAILABLE AS REPLACEMENT PARTS BUT ARE NO LONGER USED IN CURRENT PRODUCTION MODELS.**

PROJECT	TITLE		PLUMBING LINES, CT-1000	JOB NO.	
	REPLACEMENT PARTS			DWG. NO.	B600131
JOB NO.	LET.	DATE	REVISIONS	DRAWN BY	JES
				DATE	12-17-08
				SHEET	2 of 2
				SCALE	NONE
				CHECKED BY	REV
					
Cleveland Range LLC, Plant 3 1250 Reames Road, Baltimore, Maryland U.S.A. 21220, PH(410) 391-3600, FAX(410) 391-9042			THIS DRAWING DESCRIBES A CONFIDENTIAL & PROPRIETARY ITEM AND/OR PROJECT AND IS THE PROPERTY OF CLEVELAND RANGE. THIS DRAWING IS NOT TO BE COPIED OR USED WITHOUT THE PREVIOUS WRITTEN APPROVAL OF CLEVELAND RANGE.		

CONTROL BOX WITH CL-20 DIGITAL INTERFACE

CT-1000 CONTROL BOX REPLACEMENT PARTS		
ITEM	PART NO.	DESCRIPTION
1	MSJ00-0000005	24 HOUR CHART PAPER 'F'
2	EL8C0-0000042	PARTLOW 8000, SINGLE PEN
-	EL977-7700019	REPLACEMENT PEN MOTOR
-	EL977-7700021	REPLACEMENT PEN ARM
-	EL977-7700018	REPLACEMENT CHART MOTOR
-	EL977-7700020	REPLACEMENT TOUCH PAD
-	ELP00-0000037	REPLACEMENT DOOR
-	ELP00-0000036	REPLACEMENT DOOR WINDOW
-	MSP00-0000002	RED REPLACEMENT PEN
-	MSP00-0000001	GREEN REPLACEMENT PEN
3	EL8C0-0000050	DIGITAL DISPLAY CONTROLLER
4	NPYELLOW00110	NAMEPLATE
5	2EP00-8800006	TURN SWITCH
6	NPRED00000019	NAMEPLATE WARNING
7	2EP00-8800011	RED INDICATOR LIGHT
-	ELV00-6000001	REPLACEMENT BULB
8	NPYELLOW00136	NAMEPLATE
9	EL8C0-0000069	PLC LINKING CABLE W/9 PIN PLUG
10	EL8C0-0000054	CONTROLLER W/O 9 PIN CONV. BOARD
-	EL8C0-0000068	9 PIN CONVERTER BOARD
11	EL8C0-0000053	24V POWER SUPPLY
12	EL8C0-0000051	DLC CONTROLLER
13	EL8C0-0000056	CUSTOM LINKING CABLE
14	ELPSW-0000007	LOW VOLTAGE DISCONNECT
15	ELPSW-0000001	HIGH VOLTAGE DISCONNECT
16	-----	MOTOR FUSE BY VOLTAGE
-	ELV06-0000010	FUSE, 208V
-	ELV06-0000001	FUSE, 460V
17	ELPSW-0000047	MOTOR STARTER
-	ELV00-0000004	HEATER PACK, 208V
-	ELV00-0000013	HEATER PACK, 460V
18	ELV02-5000011	FUSE
19	ELV02-5000001	FUSE
20	ELPSW-0000002	RELAY
-	ELPSW-0000003	BASE, RELAY

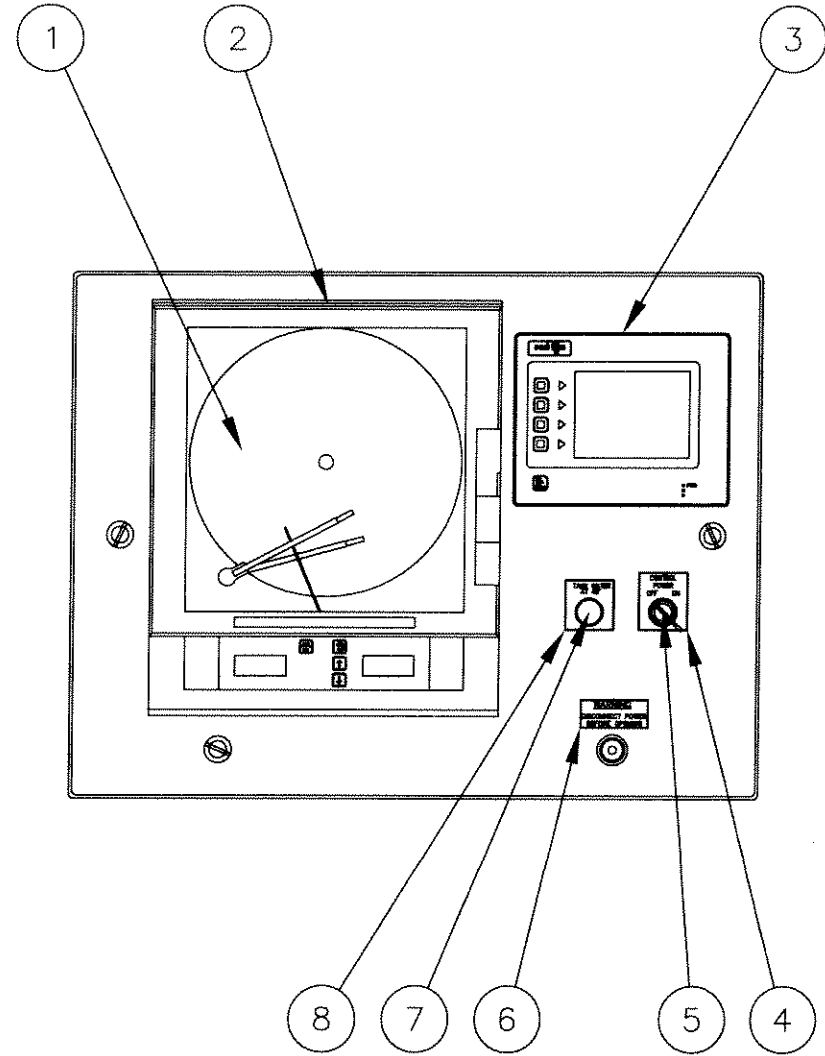
CT-2000 CONTROL BOX REPLACEMENT PARTS		
ITEM	PART NO.	DESCRIPTION
1	MSJ00-0000005	24 HOUR CHART PAPER 'F'
2	EL8C0-0000042	PARTLOW 8000, SINGLE PEN
-	EL977-7700019	REPLACEMENT PEN MOTOR
-	EL977-7700021	REPLACEMENT PEN ARM
-	EL977-7700018	REPLACEMENT CHART MOTOR
-	EL977-7700020	REPLACEMENT TOUCH PAD
-	ELP00-0000037	REPLACEMENT DOOR
-	ELP00-0000036	REPLACEMENT DOOR WINDOW
-	MSP00-0000002	RED REPLACEMENT PEN
-	MSP00-0000001	GREEN REPLACEMENT PEN
3	EL8C0-0000050	DIGITAL DISPLAY CONTROLLER
4	NPYELLOW00110	NAMEPLATE
5	2EP00-8800006	TURN SWITCH
6	NPRED00000019	NAMEPLATE WARNING
7	2EP00-8800011	RED INDICATOR LIGHT
-	ELV00-6000001	REPLACEMENT BULB
8	NPYELLOW00136	NAMEPLATE
9	EL8C0-0000069	PLC LINKING CABLE W/9 PIN PLUG
10	EL8C0-0000054	CONTROLLER W/O 9 PIN CONV. BOARD
-	EL8C0-0000068	9 PIN CONVERTER BOARD
11	EL8C0-0000053	24V POWER SUPPLY
12	EL8C0-0000051	DLC CONTROLLER
13	EL8C0-0000056	CUSTOM LINKING CABLE
14	ELPSW-0000007	LOW VOLTAGE DISCONNECT
15	ELPSW-0000001	HIGH VOLTAGE DISCONNECT
16	-----	MOTOR FUSE BY VOLTAGE
-	ELV06-0000004	FUSE, 208V
-	ELV06-0000010	FUSE, 460V
17	ELPSW-0000047	MOTOR STARTER
-	ELV00-0000012	HEATER PACK, 208V
-	ELV00-0000001	HEATER PACK, 460V
18	ELV02-5000011	FUSE
19	ELV02-5000001	FUSE
20	ELPSW-0000002	RELAY
-	ELPSW-0000003	BASE, RELAY

IN ORDER TO MAINTAIN A HIGH QUALITY OF SERVICE:

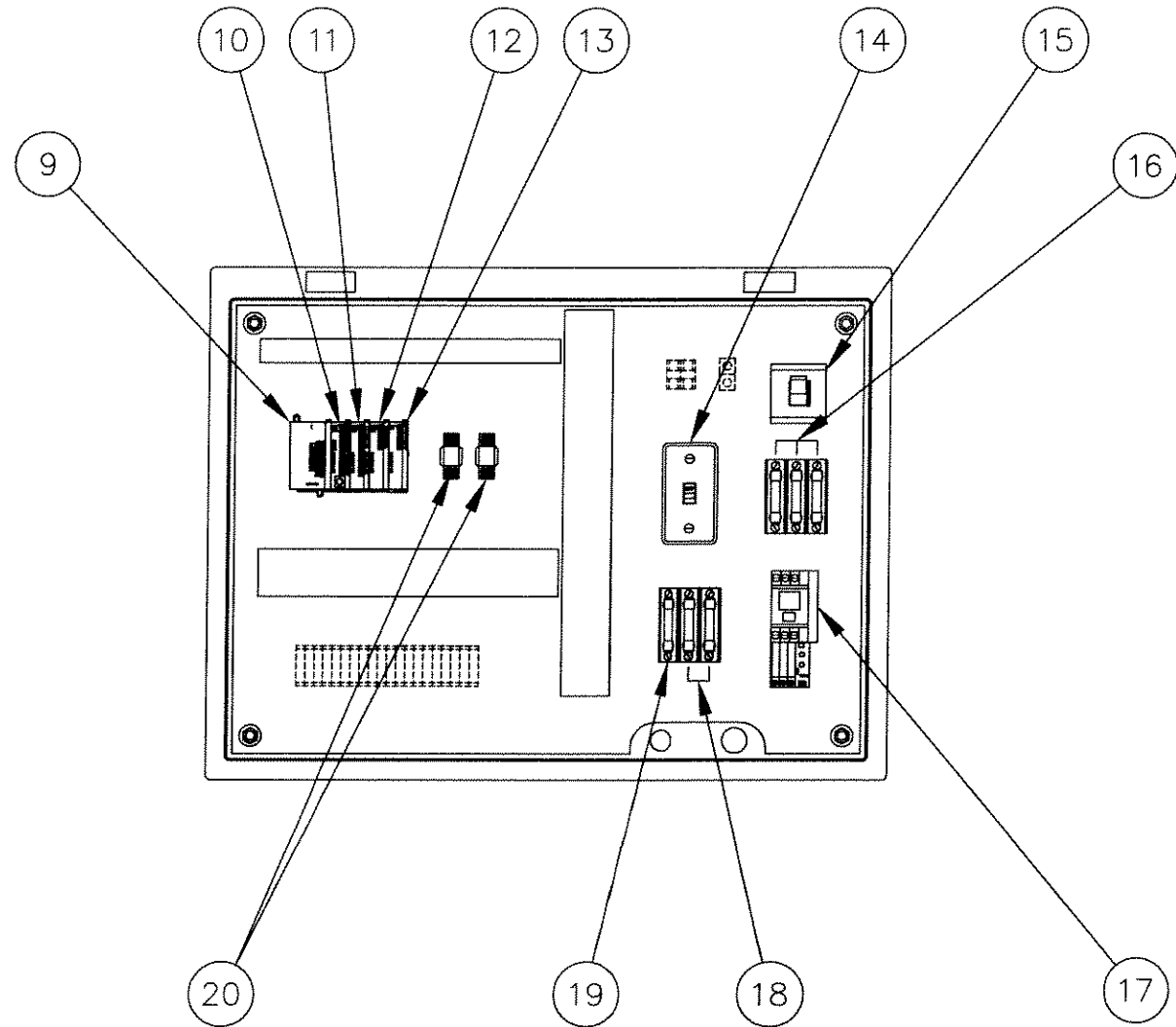
1. WHEN ORDERING A PART HAVE THIS INFORMATION READY AS WELL AS THE PART NUMBER:
SITE NAME/LOCATION, UNIT SERIAL NUMBER AND UNIT VOLTAGE.
2. CLEVELAND RANGE RESERVES THE RIGHT TO CHANGE ANY PART NUMBER WITHOUT NOTICE.
3. **OBsolete items are available as replacement parts but are no longer used in current production models.**

<p>PROJECT</p>	<p>JOB NO.</p>	<p>SHEET</p>	<p>2 of 2</p>
<p>Cleveland Cool/Chill Systems</p>			
<p>Cleveland Range LLC, Plant 3 1250 Reames Road, Baltimore, Maryland U.S.A. 21220, PH(410) 391-3600, FAX(410) 391-9042</p>			
<p>THIS DRAWING DESCRIBES A CONFIDENTIAL & PROPRIETARY ITEM AND/OR PROJECT AND IS THE PROPERTY OF CLEVELAND RANGE. THIS DRAWING IS NOT TO BE COPIED OR USED WITHOUT THE PREVIOUS WRITTEN APPROVAL OF CLEVELAND RANGE.</p>			
<p>TITLE CT-1000-2000 CONTROL BOX W/DIGITAL INTERFACE REPLACEMENT PARTS</p>		<p>REV. NO. 1 DATE 12-17-08 SHEET 2 of 2 SCALE NONE</p>	
<p>LET. DATE</p>		<p>CHECKED BY</p>	

CONTROL BOX WITH G-306 TOUCH SCREEN



CONTROL BOX EXTERIOR



CONTROL BOX INTERIOR

PROJECT

JOB NO.

SHEET

1 of 2

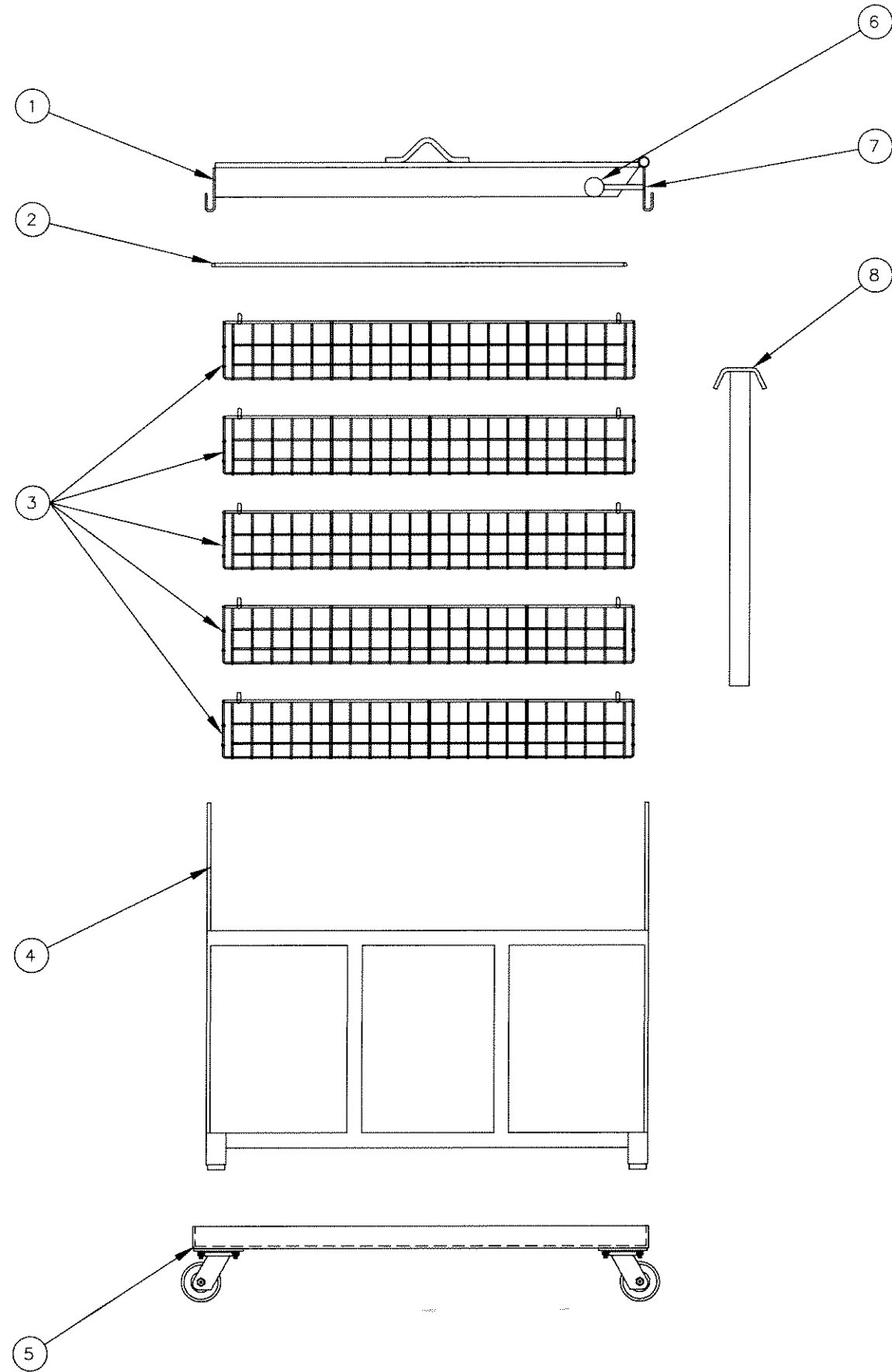


Cleveland Range LLC, Plant 3
1250 Reames Road, Baltimore, Maryland U.S.A. 21220, PH(410) 391-3600, FAX(410) 391-9042

THIS DRAWING DESCRIBES A CONFIDENTIAL & PROPRIETARY ITEM AND/OR PROJECT AND IS THE PROPERTY OF CLEVELAND RANGE. THIS DRAWING IS NOT TO BE COPIED OR USED WITHOUT THE PREVIOUS WRITTEN APPROVAL OF CLEVELAND RANGE.

TITLE CT-1000 & 2000 CONTROL BOX, TOUCH SCREEN REPLACEMENT PARTS

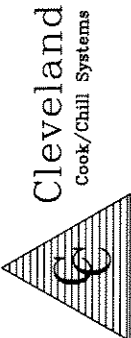

LET.	DATE	REVISIONS	JOB NO.	DWC. NO.	DRAWN BY	DATE	SHEET	SCALE
				B600133	JES	2-18-08	1 of 2	NONE
								CHECKED BY
								IRTY



REPLACEMENT PARTS LIST		
ITEM	PART NO.	DESCRIPTION
1	1FS00-0000105	LIFTING BAR
2	2BSCREEN00021	HOLD DOWN RACK
3	2BBASKET00012	BASKET
4	2BBASKET00013	LIFTING FRAME
-	1FA00-0000009	SCRATCH GUARD
5	1FS00-0000106	DOLLY
-	HWD00-0000006	CASTER
6	MSP02-0000001	RED BALL
7	2BBASKET00010	SWING HOOK AND HINGE PIN
8	2BBASKET00011	BASKET RETANING BAR

IN ORDER TO MAINTAIN A HIGH QUALITY OF SERVICE:

1. WHEN ORDERING A PART HAVE THIS INFORMATION READY AS WELL AS THE PART NUMBER:
SITE NAME/LOCATION, UNIT SERIAL NUMBER AND UNIT VOLTAGE.
2. CLEVELAND RANGE RESERVES THE RIGHT TO CHANGE ANY PART NUMBER WITHOUT NOTICE.
3. **OBSELETE ITEMS ARE AVAILABLE AS REPLACEMENT PARTS BUT ARE NO LONGER USED IN CURRENT PRODUCTION MODELS.**

PROJECT	BASKET SYSTEM, CT-1000		JOB NO.	DWG. NO. B600132	DRAWN BY JES	DATE 12-17-08	SHEET 1 of 1	SCALE NONE
	REPLACEMENT PARTS							
JOB NO.	TITLE		LET.	DATE	REVISIONS	CHECKED BY		
	BASKET SYSTEM, CT-1000							
	REPLACEMENT PARTS							
								
Cleveland Range LLC, Plant 3		1250 Reames Road, Baltimore, Maryland U.S.A. 21220, PH(410) 391-3600, FAX(410) 391-9042						
THIS DRAWING DESCRIBES A CONFIDENTIAL & PROPRIETARY ITEM AND/OR PROJECT AND IS THE PROPERTY OF CLEVELAND RANGE. THIS DRAWING IS NOT TO BE COPIED OR USED WITHOUT THE PREVIOUS WRITTEN APPROVAL OF CLEVELAND RANGE.								
JOB NO.	SHEET		1 of 1					