

BATCH BUCKET WITH DOLLY

BATCH BUCKETS

Cleveland Standard Features

- Large, bucket for loading product load via hoist system into kettles
- Stainless steel construction
- 14" diameter swing gate for easy dumping
- Accepted for use in U.S.D.A. Inspected Facilities

Options & Accessories

- Special sizes upon request
- Bucket with 3" ball valve for loading liquids

BATCH BUCKET DOLLIES

Cleveland Standard Features

- Type 304 stainless steel construction
- Heavy duty design
- Large 5" diameter casters, two with brakes
- Accepted for use in U.S.D.A. Inspected Facilities

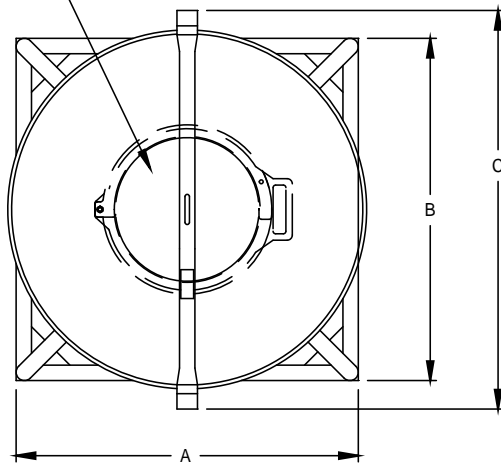
MODELS: BB-60 BB-100



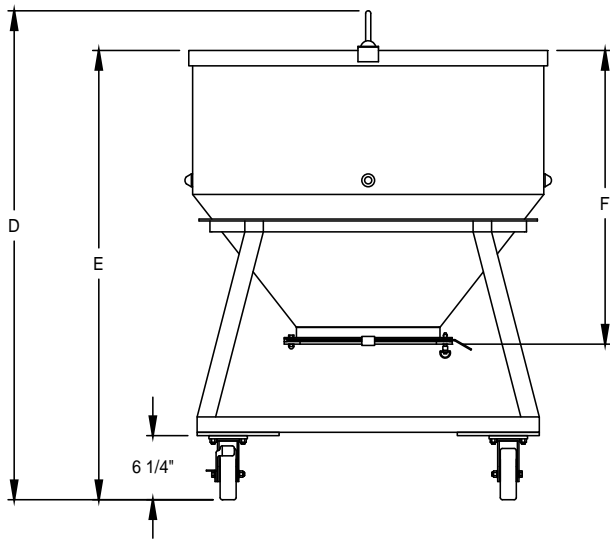
MODELS: BBD-60 BBD-100



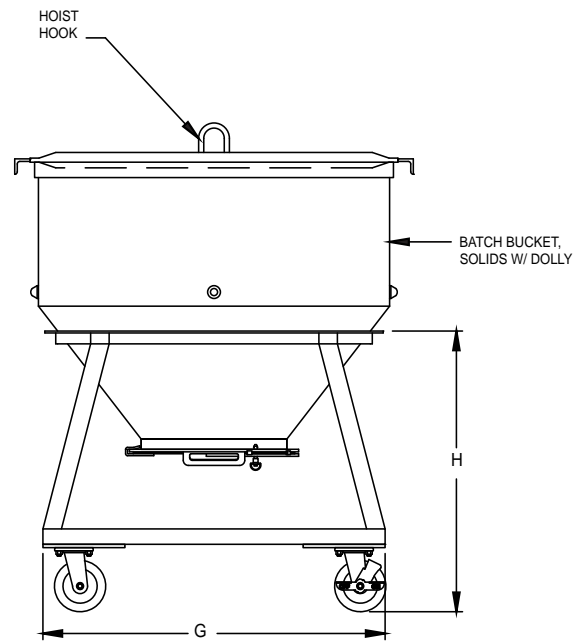
14" DIA SWING
GATE OPENING



PLAN VIEW



FRONT VIEW



SIDE VIEW

DIMENSIONS

Model	A	B	C	D	E	F	G	Ship Weight (Approximate)	Crate Size (Approximate)
BB-60	26.5"	26.5"	32.375"	40.25"	36.625"	26.25"	22.375"	450 lbs	42"Wx42"Lx50"H
BB-100	33.375"	33.375"	38.875"	46.5"	43"	30.25"	27.375"	500 lbs	42"Wx42"Lx55"H

NOTE: Shipped as shown above.