

WATER COOLED CONDENSING UNITS

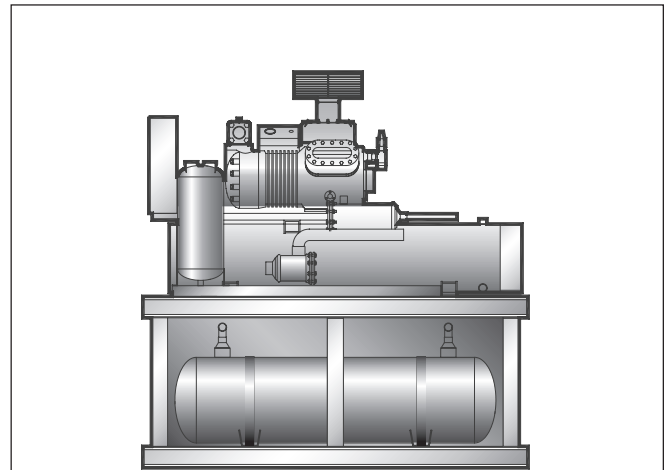
- MODELS: WS-0500C6 WS-1500C6 WS-3000C6
 WS-0750C6 WS-2000C6 WS-3500C6
 WS-1000C6 WS-2500C6 WS-4000C6.

Cleveland Standard Features

- Water cooled condensing unit for indoor installation
- For operation with R-22, 404A or 507 refrigerant (please specify)
- Liquid line filter with replaceable core and sight glass
- High efficiency Copeland disc compressor
- Spring isolation of compressor
- Shell and tube, cleanable, water cooled condenser with pressure relief valve
- Water regulating valve
- Pre-wired control panel with compressor contactor and control circuit fuse
- Liquid receivers with inlet and outlet valves and pressure relief
- Suction and discharge vibration eliminators
- Crankcase heater for cold temperature operation
- Suction filter with replaceable core
- Suction accumulator
- Oil separator
- Low ambient kit
- Anti short cycle timer
- Liquid solenoid valve (shipped loose)
- Dry contacts for compressor alarm
- Accepted for use in U.S.D.A. Inspected Facilities

Options & Accessories

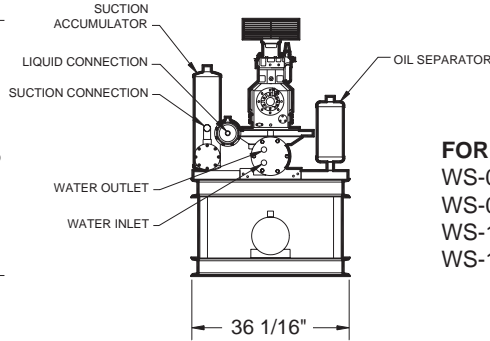
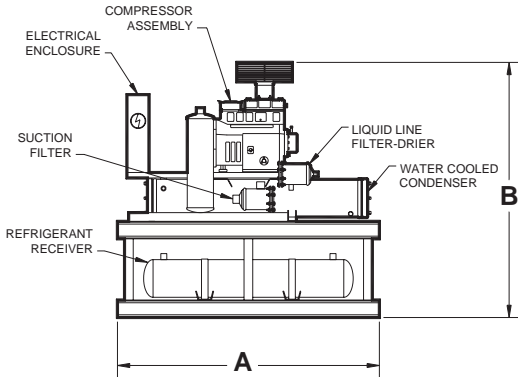
- Air Cooled Condensing Units
- Larger models available upon request
- Extended four (4) year compressor warranty (domestic only)
- Ice Water Control Panel for location in production area
- Ice Builders



Short Form Specifications

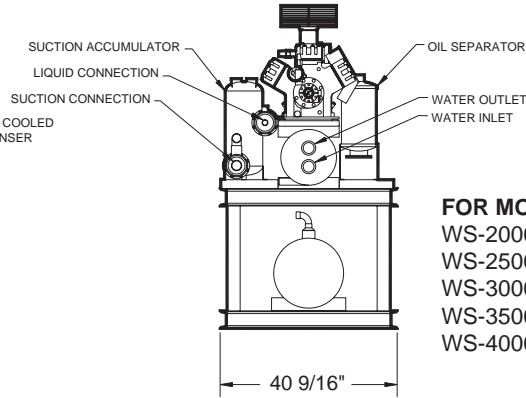
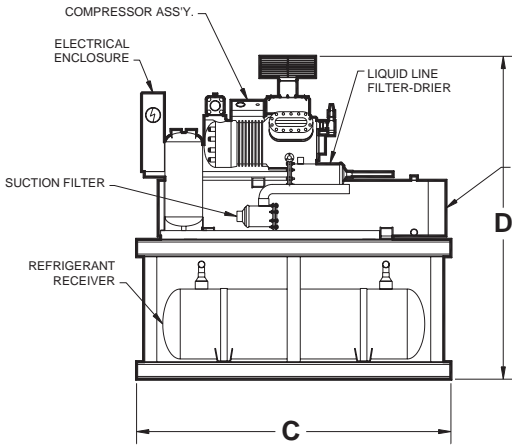
Shall be CLEVELAND Model WS - _____ C6, Indoor, _____ HP, WATER COOLED CONDENSING UNIT for Ice Builder. Compressor; Receiver with Discharge and Suction Line Vibration Eliminators; Pressure Control; Drier/Sight Glass Kit; Liquid Line Solenoid Valve; replaceable Core Suction Line Filter; Suction Line Accumulator; Oil Separator and Oil Failure Safety Control; Head Pressure Control Valve; Control Panel with hinged door housing Low Ambient Kit, Compressor Contactor and Control Circuit Fusing; Water Cooled Condenser is cleanable.

MINIMUM CLEARANCE	
FRONT	24"
SIDES	24"
REAR	24"



FOR MODELS:
 WS-0500C6
 WS-0750C6
 WS-1000C6
 WS-1500C6

Units are not supplied with fused disconnects.



FOR MODELS:
 WS-2000C6
 WS-2500C6
 WS-3000C6
 WS-3500C6
 WS-4000C6

DIMENSIONS

CONDENSING UNIT MODEL	ICE BUILDER MODEL	A	B	C	D	SHIPPING WEIGHTS LBS / KG
WS-0500C6	IBC-25	36"	60 7/8"	-	-	780 \ 355
WS-0750C6	IBC-50	52"	61 3/8"	-	-	880 \ 400
WS-1000C6	IBC-75	60"	58 3/8"	-	-	970 \ 440
WS-1500C6	IBC-100	60"	60 3/8"	-	-	1,100 \ 500
WS-2000C6	IBC-125	-	-	75"	69 5/8"	1,200 \ 544
WS-2500C6	IBC-150	-	-	72"	71 1/8"	1,250 \ 567
WS-3000C6	IBC-175	-	-	72"	70 5/8"	1,320 \ 600
WS-3500C6	IBC-200	-	-	72"	73 7/8"	1,730 \ 785
WS-4000C6	IBC-250	-	-	72"	76 7/8"	1,980 \ 900

UTILITY CONNECTIONS

CONDENSING UNIT MODEL	RECEIVER CAPACITY	LIQUID	COLD SUCTION	COMPRESSOR WATER
WS-0500C6	74 lbs	5/8"	1 3/8"	1 1/4"
WS-0750C6	136 lbs	5/8"	1 3/8"	1 1/4"
WS-1000C6	179 lbs	7/8"	1 3/8"	1 1/4"
WS-1500C6	220 lbs	7/8"	1 5/8"	1 1/2"
WS-2000C6	354 lbs	7/8"	1 5/8"	2"
WS-2500C6	382 lbs	1 1/8"	2 1/8"	2 1/2"
WS-3000C6	446 lbs	1 1/8"	2 1/8"	2 1/2"
WS-3500C6	570 lbs	1 1/8"	2 1/8"	2 1/2"
WS-4000C6	570 lbs	1 1/8"	2 1/8"	3"

ELECTRICAL 208/3PH

UNIT RLA	MOPD
31.6	60
31.6	60
43.6	80
59.6	110
66	125
82.2	150
94	175
107	200
142	250

REFRIGERANT NOT SUPPLIED BY CLEVELAND RANGE. AIR COOLED CONDENSING UNITS ARE FOR OUTDOOR INSTALLATION. WATER COOLED CONDENSING UNITS ARE FOR INDOOR INSTALLATION.

JA – RATED LOAD AMPS
 OPD – MAX OVERCIRCUIT PROTECTION DEVICE